

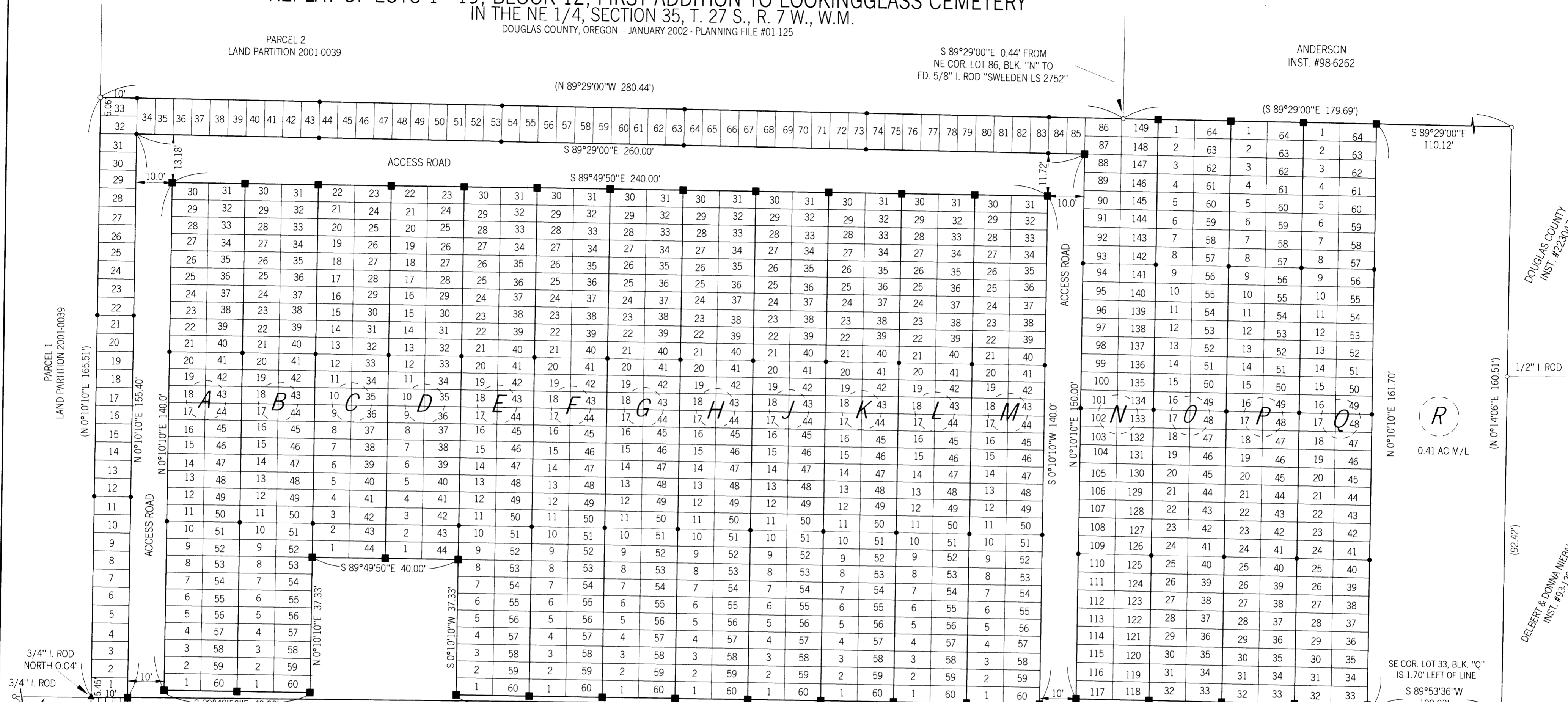
3RD ADDITION TO LOOKINGGLASS CEMETERY AND REPLAT OF LOTS 1 - 19, BLOCK 12, FIRST ADDITION TO LOOKINGGLASS CEMETERY IN THE NE 1/4, SECTION 35, T. 27 S., R. 7 W., W.M.

DOUGLAS COUNTY, OREGON - JANUARY 2002 - PLANNING FILE #01-125

PARCEL 2
LAND PARTITION 2001-0039

S 89°29'00"E 0.44' FROM
NE COR. LOT 86, BLK. "N" TO
FD. 5/8" I. ROD "SWEEDEN LS 2752"

ANDERSON
INST. #98-6262



BASIS OF BEARING PER LAND PARTITION 2001-0039
(N 89°53'36"E 996.29')

LOTS 1 - 19, BLOCK 12
FIRST ADDITION TO LOOKINGGLASS
CEMETERY
(SEE SHEET 2 OF 2)

FIRST ADDITION TO
LOOKINGGLASS CEMETERY
VOL. 11, PG. 52

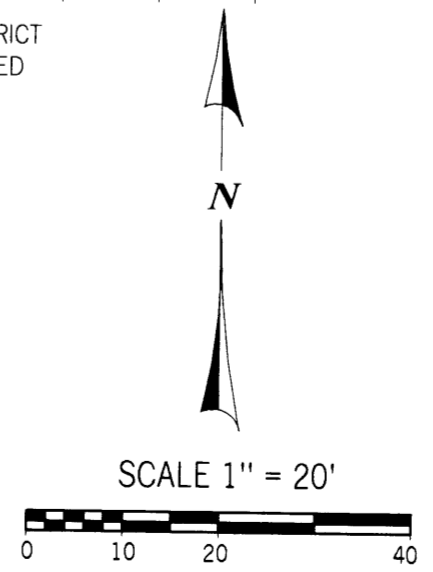
WATER: UMPQUA BASIN WATER DISTRICT
SEWER: NO SYSTEMS TO BE INSTALLED
ZONING: PR
COMP. PLAN: PUBLIC RESERVE

2ND ADDITION TO
LOOKINGGLASS CEMETERY
VOL. 17, PG. 54 A & B

- LEGEND:**
- FD MONUMENT AS SHOWN
 - SET 5/8" X 30" I.R. W/ YELLOW PLASTIC CAP "SWEEDEN LS 2752"
 - SET 5/8" X 30" I.R. W/ 2" ALUM. CAP MARKED W/ BLOCK LETTER & "PLS 2752"
 - ▲ COMPUTED POINT, NOTHING FOUND OR SET
 - () RECORD PER LAND PARTITION #2001-0039
 - () R1 RECORD PER FIRST ADDITION TO LOOKINGGLASS, VOL. 11, PG. 52

NOTES:
LOTS IN BLOCKS N - Q ARE 5' X 10' UNLESS OTHERWISE NOTED
LOTS IN BLOCKS A - M ARE 4.67' X 10'

2002-06580



REGISTERED
PROFESSIONAL
LAND SURVEYOR
Carl A. Sweeden
CARL A. SWEEDEN
2752
JANUARY 16, 1996
EXPIRES 6-30-02

Sweeden
Land Surveying
Carl A. Sweeden
P.L.S.

5211 Cole Road
Oakland, Ore. 97462
Tel. 541-459-9523

OWNER AND SUBDIVIDER:
LOOKINGGLASS CEMETERY ASSOCIATION
FRANK BUELL PRESIDENT
P.O. BOX 31
ROSEBURG, OREGON 97470

3RD ADDITION TO LOOKINGGLASS CEMETERY AND
 REPLAT OF LOTS 1 - 19, BLOCK 12, FIRST ADDITION TO
 LOOKINGGLASS CEMETERY
 IN THE NE 1/4, SECTION 35, T. 27 S., R. 7 W., W.M.
 DOUGLAS COUNTY, OREGON - JANUARY 2002 - PLANNING FILE #01-125

STATE OF OREGON)
 COUNTY OF DOUGLAS) SS
 I, DOYLE SHAVER JR., COUNTY CLERK AND
 RECORDER OF CONVEYANCES, DO HEREBY CERTIFY
 THAT THIS INSTRUMENT WAS RECORDED
 02 MAR -4 AM 8:03
 DOYLE SHAVER JR.
 DOUGLAS COUNTY CLERK
 IN THE OFFICIAL RECORDS OF DOUGLAS COUNTY
 BY *[Signature]*
 DEPUTY *[Signature]*
 FEE *[Signature]*

SURVEYORS CERTIFICATE:

I, CARL A. SWEEDEN, A REGISTERED PROFESSIONAL LAND SURVEYOR DO HEREBY CERTIFY THAT I HAVE CORRECTLY SURVEYED AND MARKED THE LAND SHOWN HEREON IN ACCORDANCE WITH OREGON REVISED STATUTES, CHAPTER 92.

[Signature] LS 2752
 CARL A. SWEEDEN LS 2752

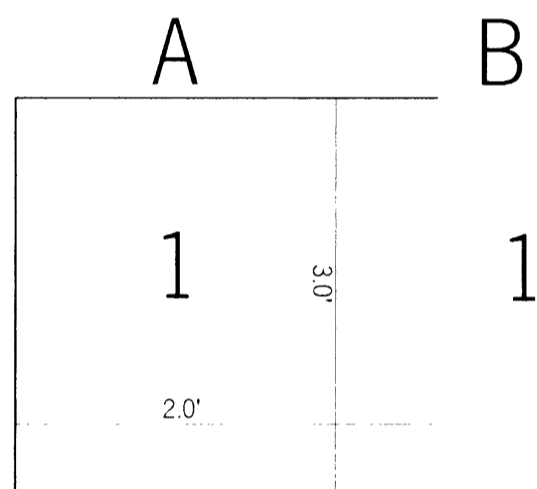
LEGAL DESCRIPTION:

INSTRUMENT #2001-05364, DOUGLAS COUNTY, OREGON DEEDS AND RECORDS CONTAINING 1.72 ACRES OF LAND MORE OR LESS AND LOTS 1-19, BLOCK 12, FIRST ADDITION TO LOOKINGGLASS CEMETERY CONTAINING 0.02 ACRES OF LAND MORE OR LESS.

DECLARATION:

KNOW ALL PEOPLE BY THESE PRESENTS THAT FRANK BUELL, PRESIDENT, LOOKINGGLASS CEMETERY ASSOCIATION DOES HEREBY DECLARE THAT THEY ARE THE OWNERS OF THE LAND AND THAT THEY DO CAUSE THE PROPERTY TO BE SUBDIVIDED AND PLATTED IN ACCORDANCE WITH THE PROVISIONS OF CHAPTER 92, OREGON REVISED STATUTES AND IN ACCORDANCE WITH PLANNING APPROVAL FILE #2001-125, DOUGLAS COUNTY, PLANNING DEPARTMENT AND THAT THEY DO CREATE THE ACCESS WAYS AND COMMON AREA AS SHOWN FOR THE BENEFIT OF ALL LOTS.

[Signature]
 FRANK BUELL, PRESIDENT



TYPICAL URN PLOT DETAIL
 PLOTS 1A - 1E ARE 2.0' X 3.0'
 ALL OTHER PLOTS ARE 2.0' X 2.0'
 NOT TO SCALE

NARRATIVE:

THIS SURVEY WAS COMPLETED AT THE REQUEST OF THE OWNERS SHOWN TO ESTABLISH THE BOUNDARY OF THAT LAND AS SHOWN IN THE DESCRIPTION AND TO SUBDIVIDE THE LANDS AS DIRECTED AND PER DOUGLAS COUNTY PLANNING APPROVAL #2001-125. THE CORNERS OF SAID LANDS AS ESTABLISHED OR HELD IN LAND PARTITION #2001-0039 WERE FOUND AND HELD TO ESTABLISH THE BOUNDARY WITH THE EXCEPTION OF LOTS 1-19, BLOCK 12 OF FIRST ADDITION TO LOOKINGGLASS CEMETERY. THE WEST LINE OF LOTS 1-19 WAS HELD USING THE FOUND MONUMENTS AS SHOWN AND THE EAST LINE WAS SET BEING PARALLEL WITH THE WEST LINE. THE SOUTH LINE OF LOT 19 WAS HELD AS PERPENDICULAR WITH THE WEST BOUNDARY. WITH THE BOUNDARIES SO ESTABLISHED THE ACCESS ROADS AND LOTS WERE LAID OUT AS DIRECTED.

FIELD CREW: C. SWEEDEN & E. WILDS
 EQUIPMENT USED: NIKON DTM-430 W/ SUPPORT
 MAPPING: C. SWEEDEN

ACKNOWLEDGEMENTS:

STATE OF OREGON)
 COUNTY OF DOUGLAS)

THERE PERSONALLY APPEARED BEFORE ME FRANK BUELL, PRESIDENT, LOOKINGGLASS CEMETERY ASSOCIATION WHO IS KNOWN TO ME TO BE THE IDENTICAL INDIVIDUAL WHO EXECUTED THE FORGOING INSTRUMENT AND WHO DOES HEREBY ACKNOWLEDGE SAID INSTRUMENT TO BE THEIR VOLUNTARY ACT AND DEED.

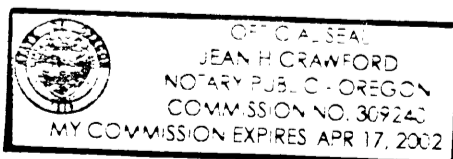
THIS INSTRUMENT WAS ACKNOWLEDGED BEFORE ME ON THIS:

30 DAY OF Jan., 2002.

[Signature]
 NOTARY PUBLIC - OREGON (PRINTED NAME)

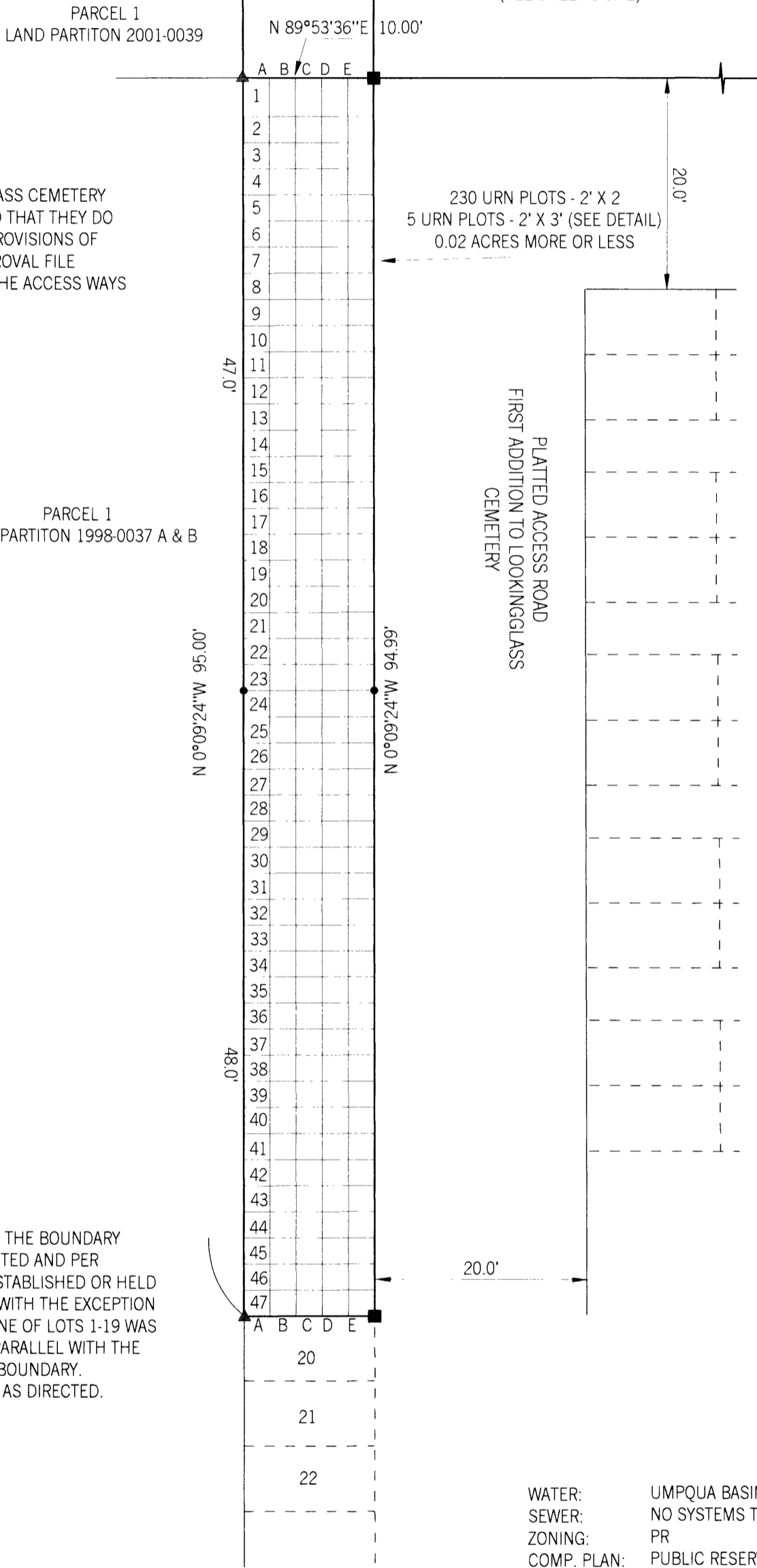
309240
 COMMISSION NO.

4-17-2002
 MY COMMISSION EXPIRES



WATER: UMPQUA BASIN WATER DISTRICT
 SEWER: NO SYSTEMS TO BE INSTALLED
 ZONING: PR
 COMP. PLAN: PUBLIC RESERVE

3RD ADDITION TO
 LOOKINGGLASS CEMETERY
 (SEE SHEET 1 OF 2)



APPROVALS:

[Signature] 3-1-02
 DOUGLAS COUNTY COMMISSIONER DATE
[Signature] 2/28/02
 DOUGLAS COUNTY COMMISSIONER DATE
[Signature] 2/28/02
 DOUGLAS COUNTY ASSESSOR DATE
[Signature] 2-27-02
 DOUGLAS COUNTY SURVEYOR DEPUTY DATE
[Signature] 1/31/02
 DIRECTOR, DOUGLAS COUNTY PLANNING DEPT. DATE

I HEREBY CERTIFY THAT ALL TAXES AND SPECIAL ASSESSMENTS OR OTHER CHARGES REQUIRED BY LAW HAVE BEEN PAID.

[Signature] 2/28/02
 DOUGLAS COUNTY TAX COLLECTOR DATE

FILED THIS 4 DAY OF March, 2002 at 8:03 AM

DOYLE SHAVER JR. 3-4-2002
 COUNTY CLERK by *[Signature]* DATE

2002-06580



FIRST ADDITION TO
 LOOKINGGLASS CEMETERY
 VOL. 11, PAGE 52



SCALE 1" = 10'
 0 5 10 20

REGISTERED
 PROFESSIONAL
 LAND SURVEYOR
[Signature]
 OREGON
 CARL A. SWEEDEN
 2752
 JANUARY 16, 1996
 EXPIRES 6-30-02

OWNER AND SUBDIVIDER:
 LOOKINGGLASS CEMETERY ASSOCIATION
 FRANK BUELL PRESIDENT
 P.O. BOX 31
 ROSEBURG, OREGON 97470

Sweeden
 Land Surveying
 Carl A. Sweeden
 P.L.S.
 5211 Cole Road
 Oakland, Ore. 97462
 Tel. 541-459-9523

2002-06580

SHEET 2 OF 2

PART OF TAX ASSESSORS MAP 27-07-35A LOT #1700, ACCOUNT #9469.02