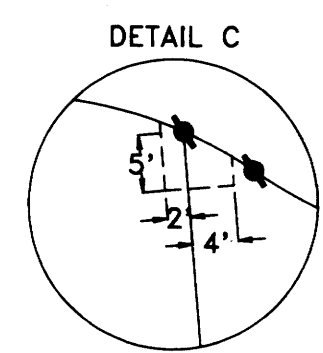
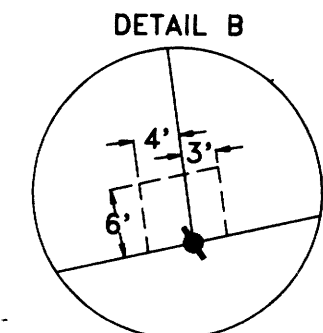
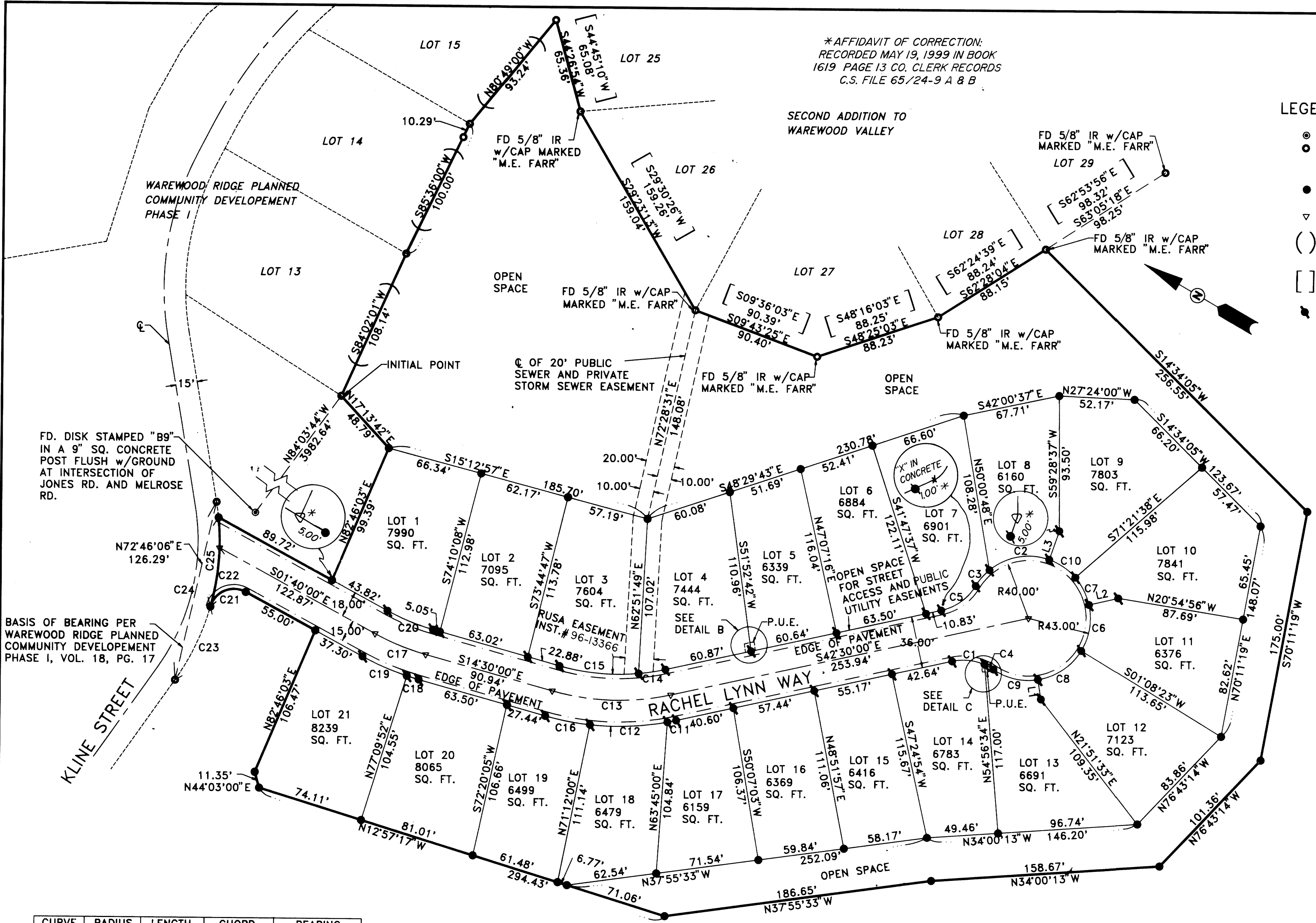


*AFFIDAVIT OF CORRECTION:
RECORDED MAY 19, 1999 IN BOOK
1619 PAGE 13 CO. CLERK RECORDS
C.S. FILE 65/24-9 A & B

LEGEND

- ⊙ FD DISK AS NOTED
- FD 5/8" IR w/ CAP MARKED "i.e. ENGINEERING" UNLESS OTHERWISE NOTED
- SET 5/8" x 30" IR w/ CAP MARKED "i.e. ENGINEERING"
- ▽ CALCULATED POINT
- () RECORD PER WAREWOOD RIDGE PLANNED COMMUNITY DEVELOPEMENT PHASE I, VOL. 18, PG. 17
- [] RECORD PER SECOND ADDITION TO WAREWOOD VALLEY, VOL. 18, PG. 55
- ⚡ DENOTES A 5/8" x 30" IR w/ YELLOW PLASTIC CAP INSCRIBED "i.e. ENG." TO BE SET WITHIN TIME SPECIFIED IN THE SURVEYOR'S CERTIFICATE. SET ON JANUARY 12, 1999

COUNTY SURVEYORS FILE DATA
DO NOT REMOVE FROM OFFICE



CURVE	RADIUS	LENGTH	CHORD	BEARING
C1	37.00'	23.06'	22.69'	N24°38'32" W
C2	43.00'	44.04'	42.14'	N40°14'42" W
C3	43.00'	14.62'	14.55'	N79°19'32" W
C4	37.00'	7.01'	7.00'	N01°21'30" W
C5	37.00'	30.07'	29.25'	S65°47'01" E
C6	43.00'	33.00'	32.20'	N69°09'07" E
C7	43.00'	21.41'	21.19'	N32°54'06" E
C8	43.00'	37.29'	36.13'	S64°00'59" E
C9	43.00'	32.45'	31.69'	S17°33'09" E
C10	43.00'	22.17'	21.93'	N03°51'59" E
C11	188.00'	6.23'	6.23'	S41°33'01" E
C12	188.00'	53.92'	53.73'	S32°23'03" E
C13	170.00'	83.08'	82.25'	S28°30'00" E
C14	152.00'	18.81'	18.80'	S38°57'15" E

CURVE	RADIUS	LENGTH	CHORD	BEARING
C15	152.00'	55.47'	55.16'	S24°57'15" E
C16	188.00'	31.72'	31.68'	S19°20'02" E
C17	170.00'	38.08'	38.00'	S08°05'00" E
C18	188.00'	8.56'	8.56'	S13°11'45" E
C19	188.00'	33.55'	33.51'	S06°46'45" E
C20	152.00'	34.05'	33.97'	S08°05'00" E
C21	17.00'	30.47'	26.55'	N53°00'32" W
C22	165.00'	41.29'	41.18'	N68°28'49" E
C23	165.00'	56.50'	56.23'	N85°27'33" E
C24	165.00'	129.60'	126.29'	N72°46'06" E
C25	165.00'	62.23'	61.86'	N64°50'42" E

LINE	DIRECTION	DISTANCE
L1	N50°49'32" E	13.78'
L2	N42°50'06" W	20.70'
L3	S79°05'34" W	20.89'

96-17123

REGISTERED PROFESSIONAL LAND SURVEYOR

Donald A. Bentz

OREGON
JULY 12, 1988
DONALD A. BENTZ
839

EXPIRES 12-31-97

THE POINT IN WAREWOOD

96-17070

IN THE N.W. 1/4 SECTION 11, T27S, R6W
WILLAMETTE MERIDIAN, DOUGLAS COUNTY, OREGON

SURVEYED FOR: JOHN ATKINSON 2631 NW KLINE ROSEBURG, OR 97470	SURVEYED BY: i.e. ENGINEERING 548 S.E. Jackson Suite 3 Roseburg, Oregon 97470 PHONE (503) 673-0166 FAX (503) 440-9392
---	--

SCALE: 1"=50' DATE: MARCH 1996 104-13 PAGE: 2 OF 2