

COUNTY SURVEYORS FILE DATA  
DO NOT REMOVE FROM OFFICE

# WESTLAKE ESTATES

IN LOT 9 & 10, BLOCK 6 AND LOT 11, BLOCK 8 PLAT 'M'  
SUTHERLIN LAND AND WATER COMPANY  
IN THE SW 1/4, SECTION 13, TOWNSHIP 25 SOUTH, RANGE 6 WEST, WILLAMETTE MERIDIAN,  
DOUGLAS COUNTY, OREGON  
JANUARY, 1996

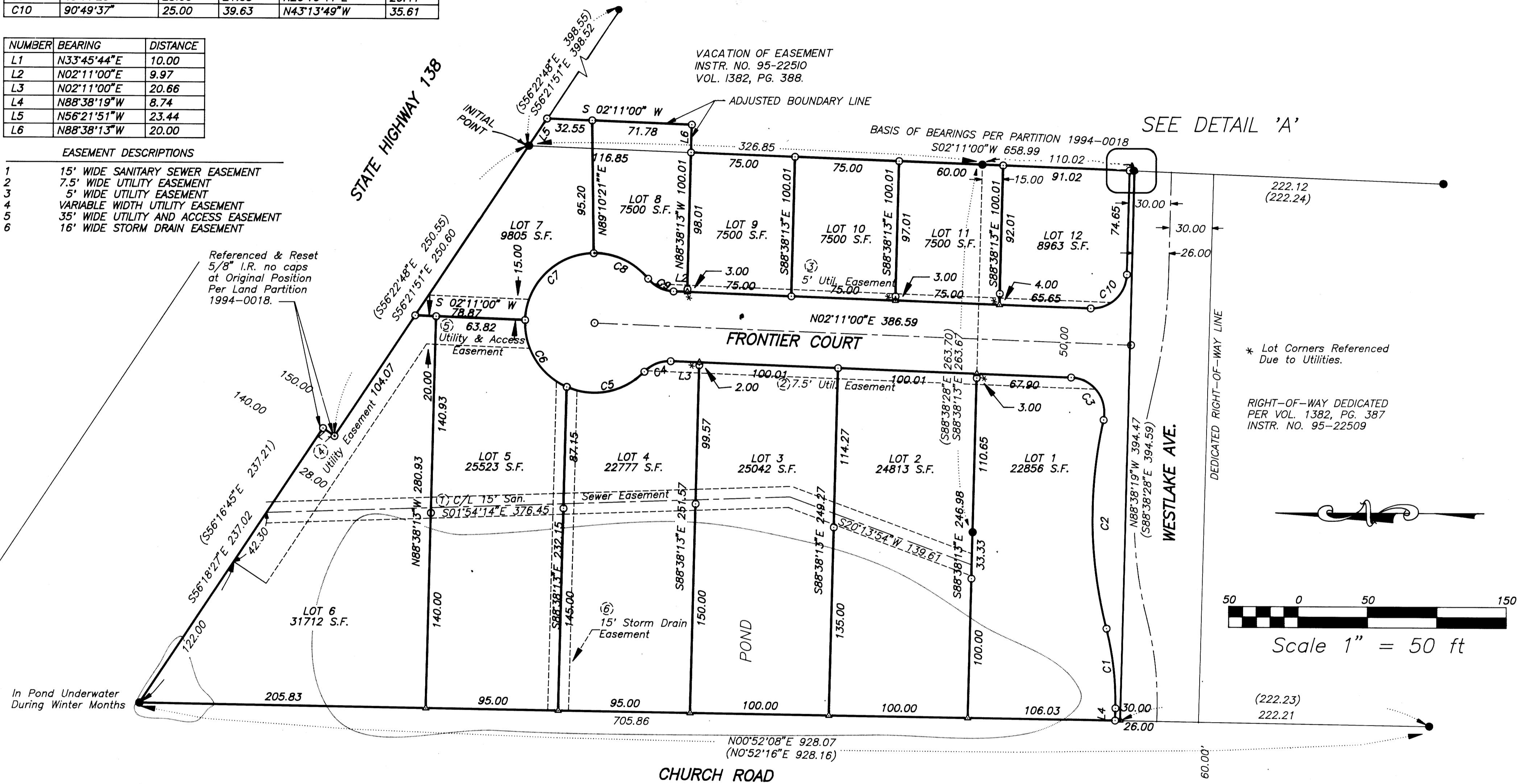
NUMBER	Delta	Radius	Length	Chord Brng	Chord
C1	15°49'47"	209.00	57.74	N83°26'48"E	57.56
C2	27°02'14"	320.00	151.00	N89°03'01"E	149.61
C3	100°23'09"	25.00	43.80	N52°22'34"E	38.41
C4	48°11'23"	25.00	21.03	N21°54'42"W	20.41
C5	69°27'44"	50.00	60.62	N11°16'31"W	56.97
C6	68°43'39"	50.00	59.98	N57°49'10"E	56.44
C7	86°59'21"	50.00	75.91	N44°19'20"W	68.83
C8	51°12'02"	50.00	44.68	N24°46'22"E	43.21
C9	48°11'23"	25.00	21.03	N26°16'41"E	20.41
C10	90°49'37"	25.00	39.63	N43°13'49"W	35.61

NUMBER	BEARING	DISTANCE
L1	N33°45'44"E	10.00
L2	N02°11'00"E	9.97
L3	N02°11'00"E	20.66
L4	N88°38'19"W	8.74
L5	N56°21'51"W	23.44
L6	N88°38'13"W	20.00

**EASEMENT DESCRIPTIONS**

- 1 15' WIDE SANITARY SEWER EASEMENT
- 2 7.5' WIDE UTILITY EASEMENT
- 3 5' WIDE UTILITY EASEMENT
- 4 VARIABLE WIDTH UTILITY EASEMENT
- 5 35' WIDE UTILITY AND ACCESS EASEMENT
- 6 16' WIDE STORM DRAIN EASEMENT

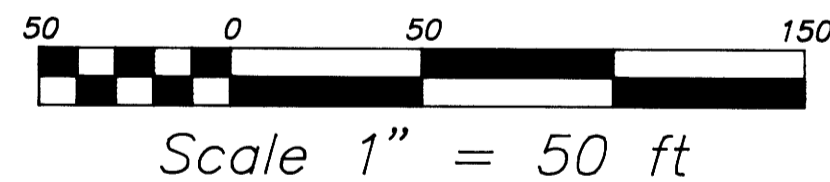
Referenced & Reset  
5/8" I.R. no caps  
at Original Position  
Per Land Partition  
1994-0018.



SEE DETAIL 'A'

\* Lot Corners Referenced  
Due to Utilities.

RIGHT-OF-WAY DEDICATED  
PER VOL. 1382, PG. 387  
INSTR. NO. 95-22509

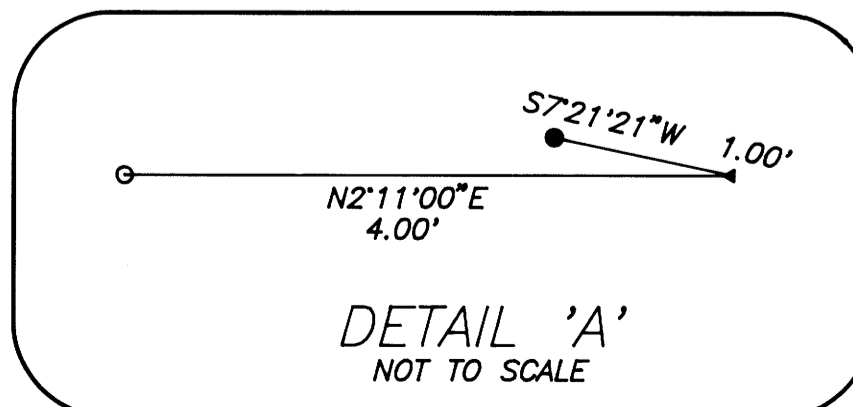


VOL. 18 PAGE 54A

VOL. 18 PAGE 54A

**LEGEND:**

- Found 5/8" Iron Rod or as noted.
  - ▲ Calculated Point
  - Set 5/8" x 30" Iron Rod with Yellow Plastic Cap marked "AA SURVEYING INC."
- RECORD INFORMATION:  
( ) Partition 1994-0018
- Geodetic Monument "R456" bears N55°47'40"W 4041.72 feet from Northwest corner.



REGISTERED  
PROFESSIONAL  
LAND SURVEYOR

*Mark A. Heimburger*

OREGON  
July 16, 1987  
MARK A. HEIMBURGER  
2287  
EXP. DATE: 6-30-97

96-01360

**AA**

**SURVEYING SERVICE, INC.**

3076 EAST DIAMOND LAKE BLVD.  
ROSEBURG, OREGON 97470  
TEL (541)672-2096  
FAX (541)672-0611