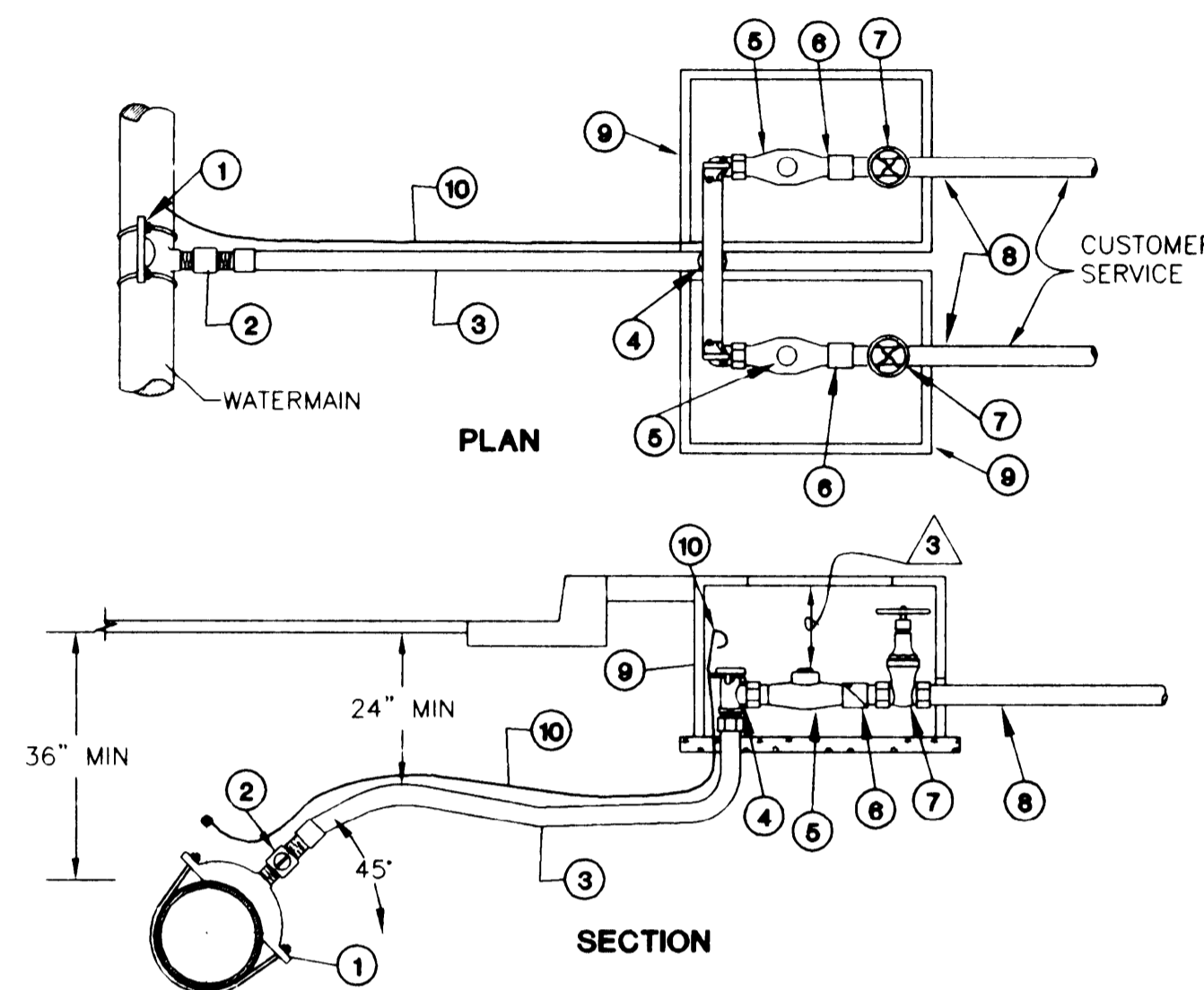


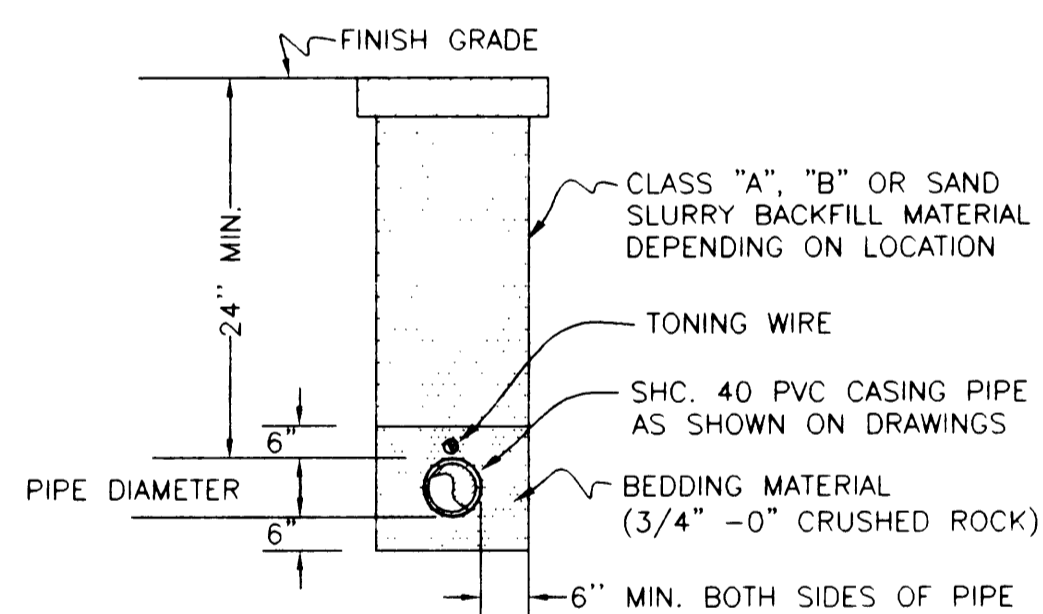
TYPICAL STORM LINE TRENCH DETAIL



| ITEM NO. | SIZE | DESCRIPTION | TYPE 1 | QTY. |
|----------|-----------|-----------------------|--|----------|
| 1 | AS REQ'D | SERVICE SADDLE | FORD, BRASS S-91 | 1 |
| 2 | 1" | CORP. STOP | FORD, F-1100-G | 1 |
| 3 | 1" | SERVICE PIPE | 200 psi HI MOLY POLYETHYLENE CTS PIPE | AS REQ'D |
| 4 | 1" | BRANCH VALVE ASSEMBLY | FORD, UV-43-32, 14" WIDTH | 1 |
| 5 | 5/8"x3/4" | METER | NEPTUNE T-10 GALLONS READER (TO BE SUPPLIED AS REQUIRED BY RCW) | 2 |
| 6 | 3/4" | CHECK VALVE | FORD HS38-323 | 2 |
| 7 | 3/4" | CUSTOMER VALVE | METER ADAPTER WITH 3/4" GATE VALVE | 2 |
| 8 | - | CUSTOMER SERVICE | PER STATE PLUMBING CODE (RECONNECT TO EXISTING CUSTOMER SERVICE) | - |
| 9 | - | METER BOX | PLASTIC | 2 |
| 10 | NO. 12 | TO NE WIRE | ELECTRICAL AWG SOLID COPPER WIRE, COIL 1'-0" IN METER BOX | AS REQ'D |

- 1 OR APPROVED EQUAL. SEE GENERAL SPECIFICATIONS.
- 2 TYPE AS APPROVED BY MANUFACTURER FOR WATER MAIN TYPE & SIZE.
- 3 TOP OF METER SHALL BE 4" TO 6" BELOW BOTTOM OF LID.

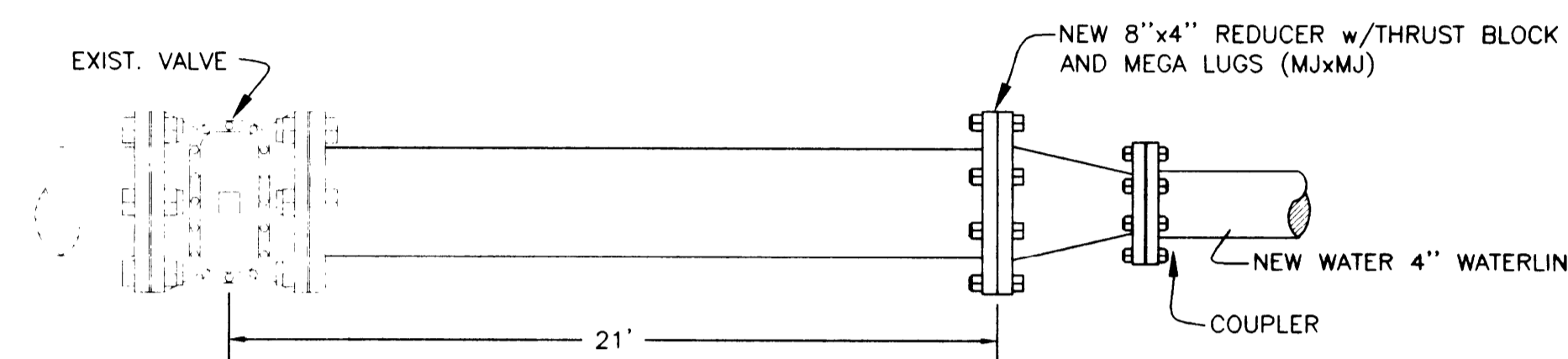
TYPICAL DUAL 5/8"x3/4" METER INSTALLATION ASSEMBLY



TYPICAL SERVICE LINE TRENCH DETAIL

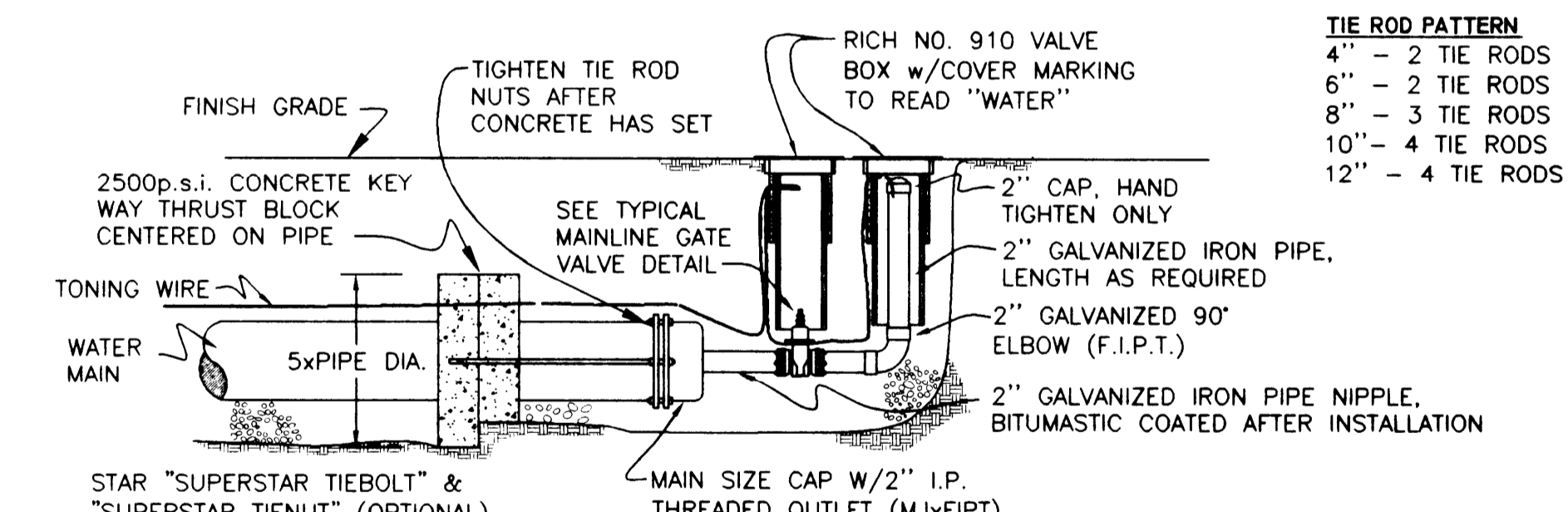
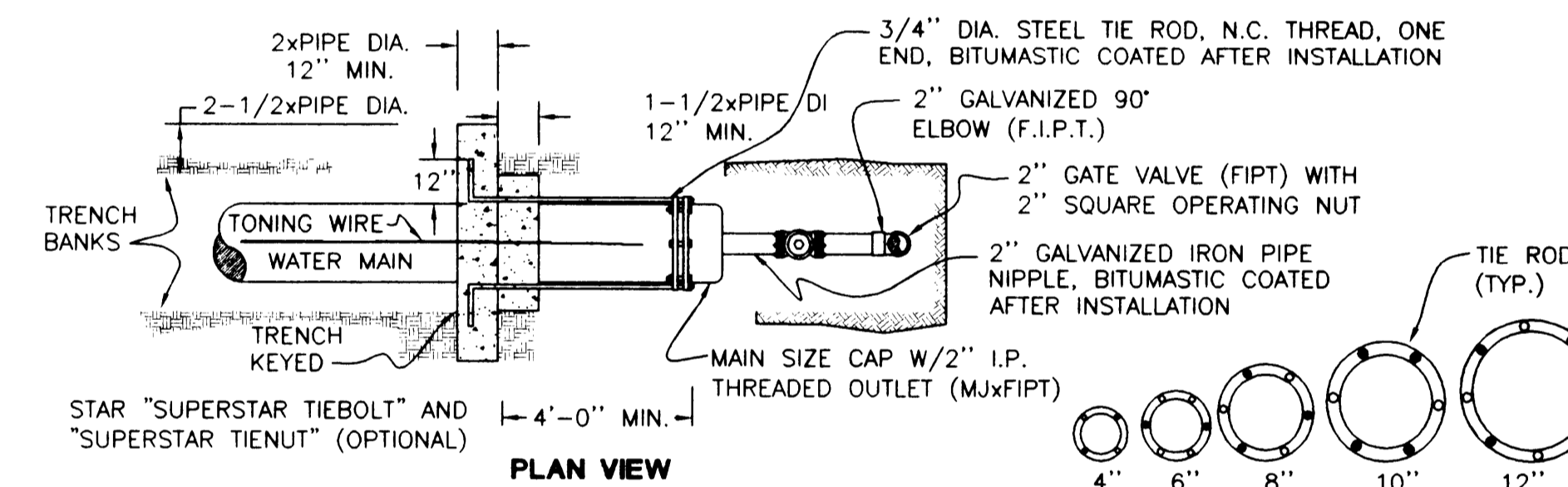
ROLLING HILLS RD.

NOTES:
 ALL PIPE AND FITTINGS FOR TIE-IN TO BE CLEAN AND WIPED w/CHLORINE PRIOR TO INSTALLATION
 CONTRACTOR TO ALIGN NEW MAINLINES IN BOTH ALIGNMENT AND GRADE w/EXISTING WATERLINES. CONNECTION TO EXISTING WATERLINE CAN ONLY BE MADE AFTER INSTALLATION, TESTING & DISINFECTION OF NEW WATERLINE HAS BEEN COMPLETED.



WATER TIE-IN DETAIL

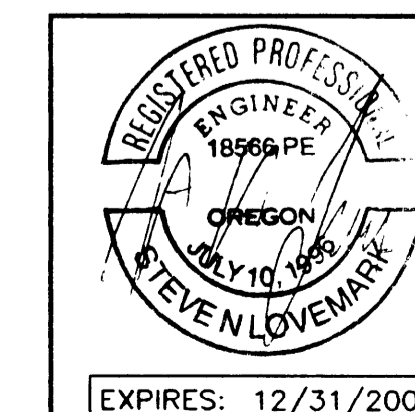
MAKYA COURT



TYPICAL 2" BLOWOFF ASSEMBLY DETAIL

CALL BEFORE YOU DIG I
 ONE CALL: (800) 332-2344
 OAR 952-001-0010 THROUGH
 OAR 952-001-0090

i.e.
 ENGINEERING
 741 SE Jackson Street
 Roseburg, Oregon 97470
 PHONE (541) 673-0166
 FAX (541) 440-9392



| Rev. | Date | Dwg | Description |
|------|---------|-----|-------------|
| 1 | 8/21/01 | KTG | AS-BUILTS |

| | |
|---------------------------------|--------------------|
| Project Name: GUYER SUBDIVISION | |
| Title: DETAILS | |
| DES SNL | PROJECT NO. 152-25 |
| DWG FLB | DATE: JUNE 6, 2001 |
| CHK SNL | SCALE: NO SCALE |
| APP SNL | SHEET: 3 OF 5 |