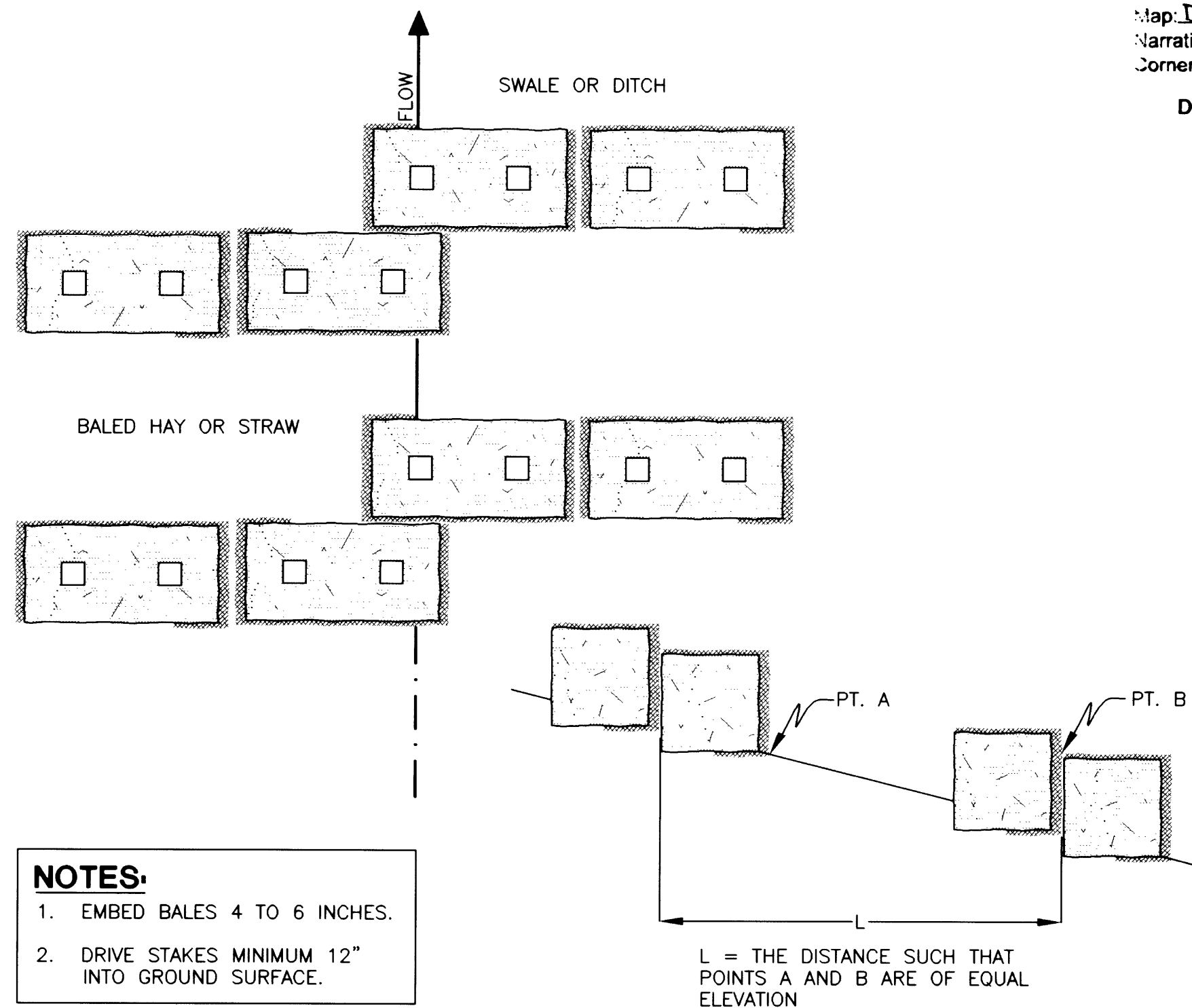
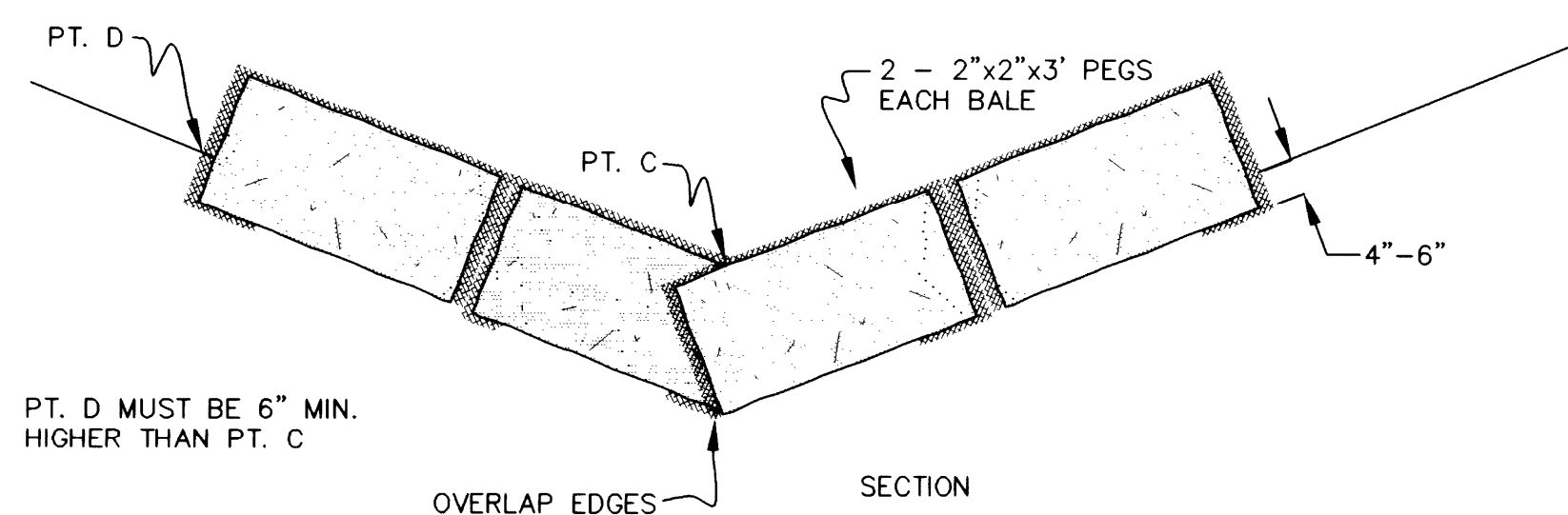


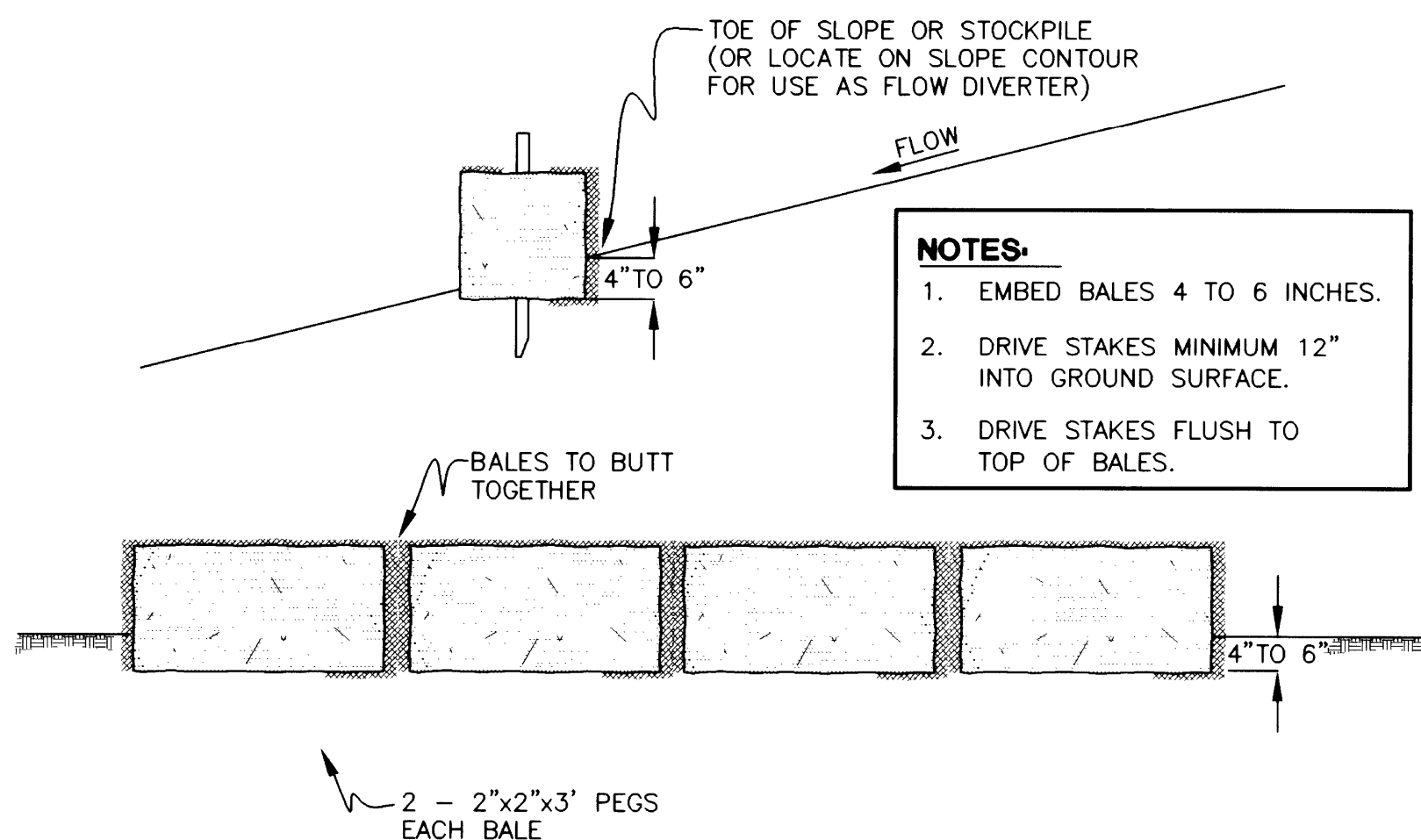
FILED  
 Date: 12/3/2012 By: JWL  
 This survey consists of:  
 Map: DS-133 thru DS-138  
 Narrative:  
 Corner Rpt:  
 DOUGLAS COUNTY  
 SURVEYOR



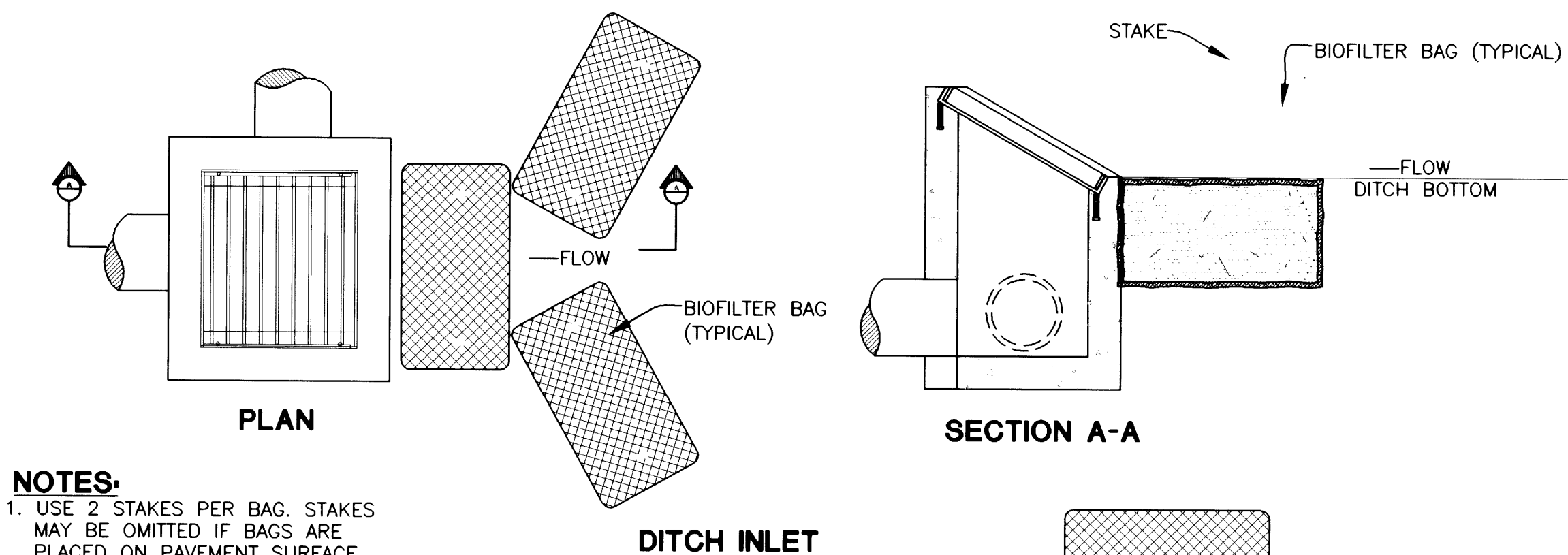
SPACING BETWEEN BARRIERS



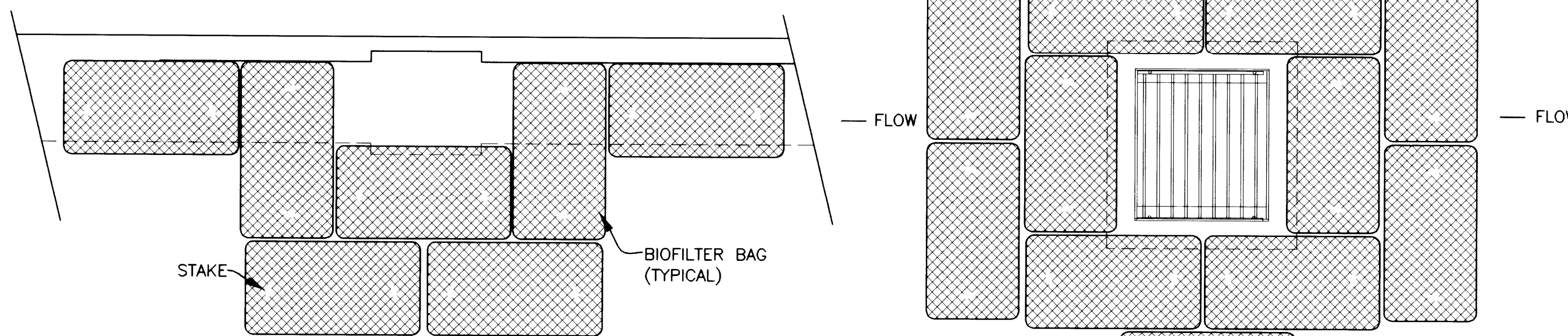
STRAW BALE SEDIMENT BARRIERS IN DITCHES OR SWALES



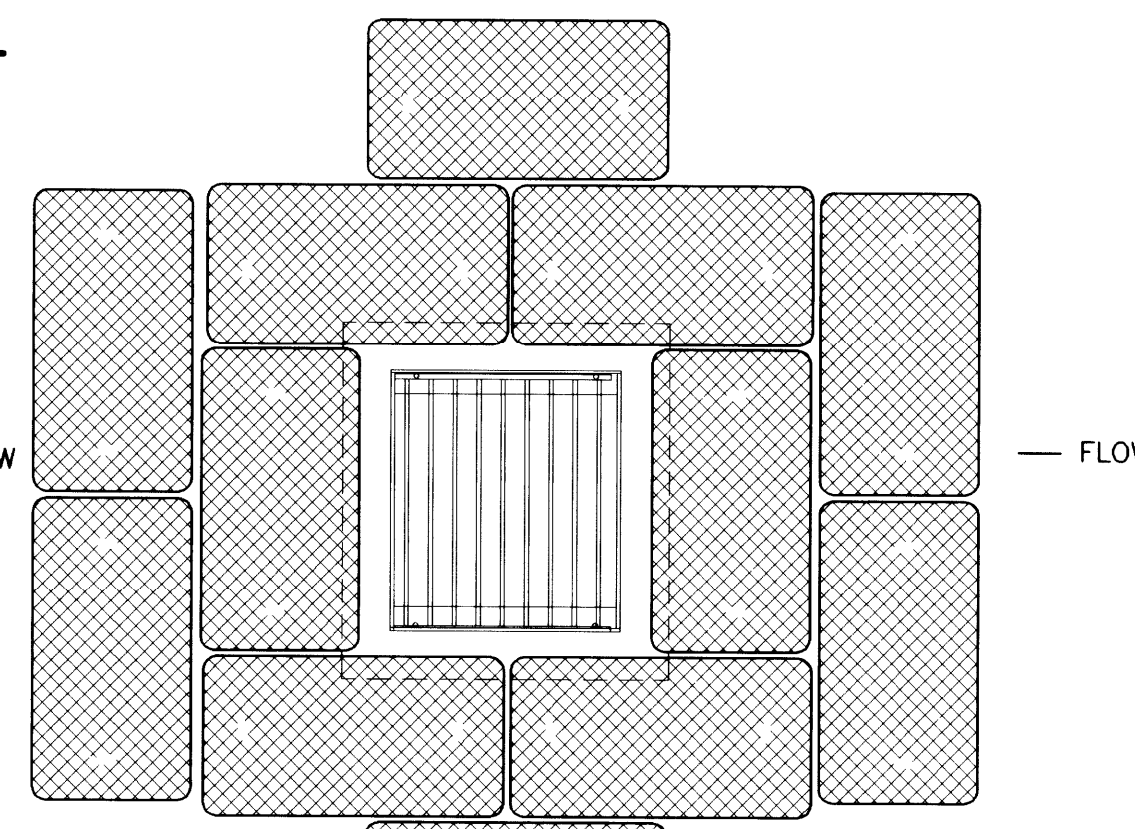
STRAW BALE SEDIMENT BARRIER



**NOTES:**  
 1. USE 2 STAKES PER BAG. STAKES MAY BE OMITTED IF BAGS ARE PLACED ON PAVEMENT SURFACE.  
 2. OVERLAP ALL BAG JOINTS 6".

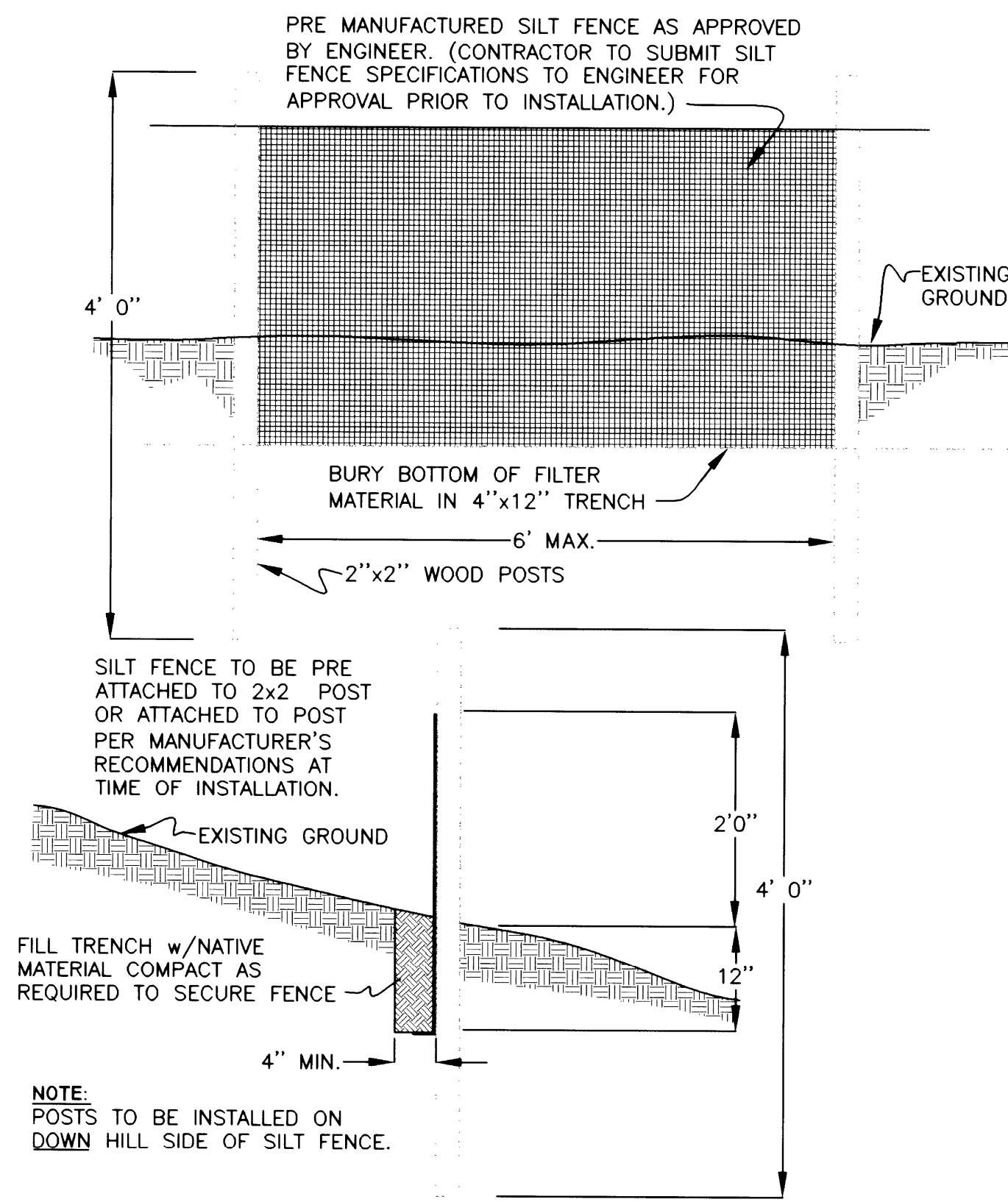


CURB INLET

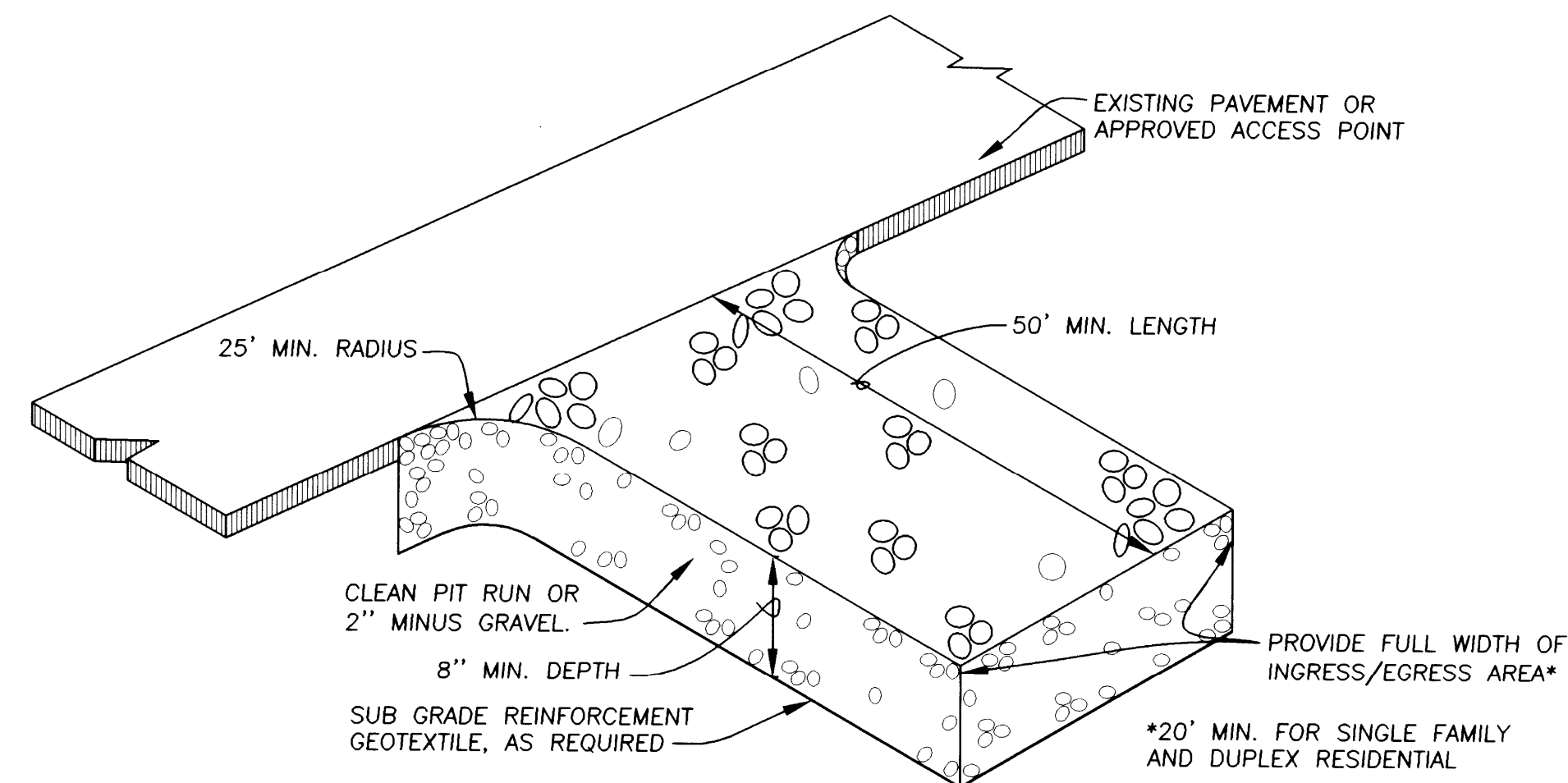


AREA DRAIN

INLET PROTECTION (TYPE 4) BIOFILTER BAGS

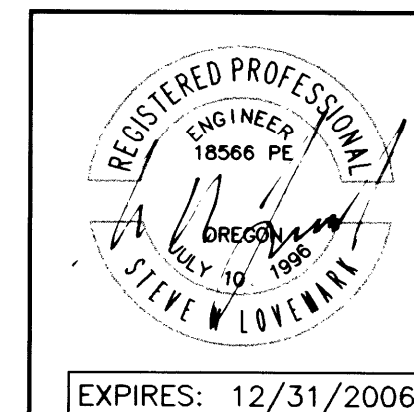


SILT FENCE INSTALLATION DETAIL



GRAVEL CONSTRUCTION ENTRANCE

- GENERAL EROSION CONTROL NOTES**
- CONTRACTOR TO COMPLY WITH ALL PROVISIONS OF THE 1200-C NDPES PERMIT INCLUDING SCHEDULE B FOR MINIMUM MONITORING REQUIREMENTS AND WRITTEN RECORDS. COORDINATE WITH OWNER/PERMIT HOLDER CONCERNING ALL 1200-C REQUIREMENTS.
  - CONTRACTOR TO COMPLY WITH ALL PROVISIONS OF SECTION 00280 EROSION AND SEDIMENT CONTROL, AS WRITTEN IN THE JOINT 2002 ODOT/APWA STANDARD SPECIFICATIONS.
  - FOR PERMANENT AND TEMPORARY SEEDING, CONTRACTOR TO COMPLY WITH ALL PROVISIONS OF SECTION 01030 - SEEDING, AS WRITTEN IN THE JOINT 2002 ODOT/APWA STANDARD SPECIFICATIONS. CONTRACTOR TO SUBMIT SEED MIX FORMULA TO ENGINEER FOR REVIEW PRIOR TO SEEDING.
  - CONSTRUCTION AREAS WITHIN SUBDIVISION BOUNDARIES SHALL BE PROTECTED FROM EROSION.
  - EXPOSED EARTH SLOPES MAY BE REQUIRED TO BE PROTECTED IF NATIVE GRASSES WILL NOT DEVELOP BEFORE EROSION CAN OCCUR OR 60 DAYS OR MORE.
  - REUSED SPOIL MATERIAL SHALL BE PLACED SO AS NOT TO IMPEDE NATURAL DRAINAGE AND SHALL BE SLOPED TO DRAIN WITH SIDE SLOPES 3:1 OR FLATTER.
  - TEMPORARY DRAINAGE FACILITIES SHALL BE PROVIDED, WHEN REQUIRED, TO ROUTE FLOWS AROUND CONSTRUCTION AREAS.
  - THE LOCATION OF ALL EROSION CONTROL FEATURES ON THESE PLANS ARE APPROXIMATE ONLY. ACTUAL LOCATIONS ARE TO BE DETERMINED IN THE FIELD.
  - FIELD CONDITIONS MAY REQUIRE ADDITIONAL MEASURES NOT INDICATED ON THE PLANS. ADDITIONAL MEASURES MAY INCLUDE CHECK DAMS, SEDIMENT BASINS, DIVERSION SWALES, FILTER BERMS, EROSION MATS OR OTHER METHODS. REFER TO ODOT EROSION AND SEDIMENT CONTROL MANUAL FOR REFERENCE AND DETAILS.
  - STOCKPILE IN A DRY AND ACCESSIBLE LOCATION AND SECURELY COVER WITH PLASTIC A MINIMUM OF 24" STRAW BALES FOR EMERGENCY USE.
  - IF EROSION CONTROL FEATURES ARE REMOVED TO ALLOW CONSTRUCTION TO CONTINUE THEY SHALL BE REPLACED WHEN RAIN IS IMMINENT OR PREDICTED AND AT THE END OF THE WORKDAY EACH FRIDAY.
  - STABILIZED CONSTRUCTION ENTRANCES SHALL BE INSTALLED AT THE BEGINNING OF CONSTRUCTION AND MAINTAINED FOR THE DURATION OF THE PROJECT.
  - FINAL SEEDING SHALL OCCUR IMMEDIATELY AFTER EXCAVATION IS COMPLETED AND IN CONFORMANCE WITH SECTION 01030.
  - FILL SLOPES OF 2:1 TO 4:1 SHALL BE TRACK-WALKED PRIOR TO FINAL SEEDING.
  - TRUCKS TRANSPORTING SATURATED SOILS FROM THE SITE SHALL BE WELL SEALED SO THAT WATER SEEPING FROM THE SOIL CANNOT DRAIN FROM THE VEHICLE. IF WELL SEALED TRUCKS ARE NOT PROVIDED, THE LOADED TRUCK SHALL REMAIN IN PLACE UNTIL THE DRIPPAGE FROM THE TRUCK DOES NOT EXCEED ONE GALLON PER HOUR BEFORE LEAVING THE SITE.



Rev.	Date	Dwg	Description
1	8/2/05	ANV	AGENCY REVIEW
2	12/13/05	JDL	AS-BUILT

**CALL BEFORE YOU DIG 1**  
**ONE CALL (800) 332-2344**  
 OAR 952-001-0010 THROUGH  
 OAR 952-001-0090

**i.e. ENGINEERING**  
 741 SE Jackson Street  
 Roseburg, Oregon 97470  
 PHONE (541) 673-0166  
 FAX (541) 440-9392  
 email@ieengineering.com

Project Name:	ERVIN ESTATES
Title:	EROSION DETAILS
DES JPM	PROJECT NO. 1978-01
DWG ANV	DATE: MAY 17, 2005
CHK SNL	SCALE: NONE
APP SNL	SHEET: 6 OF 6