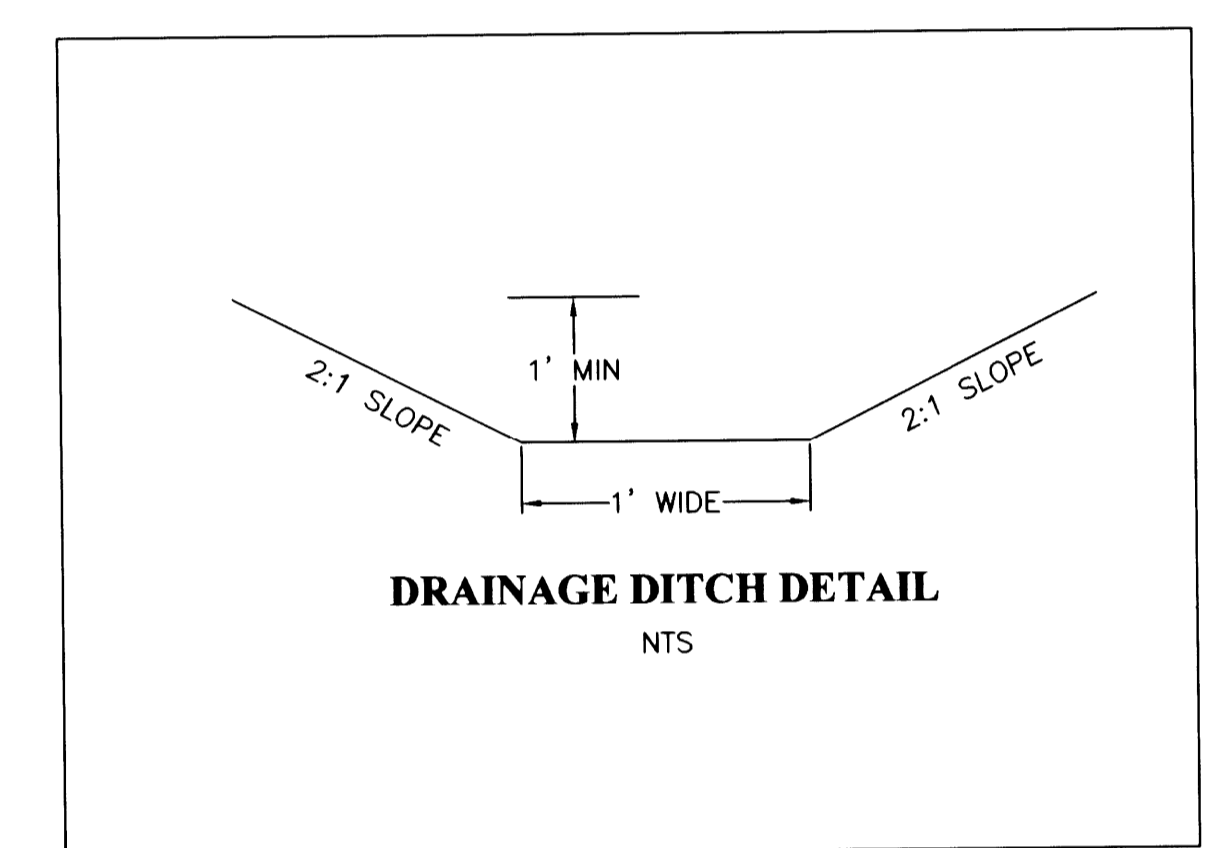
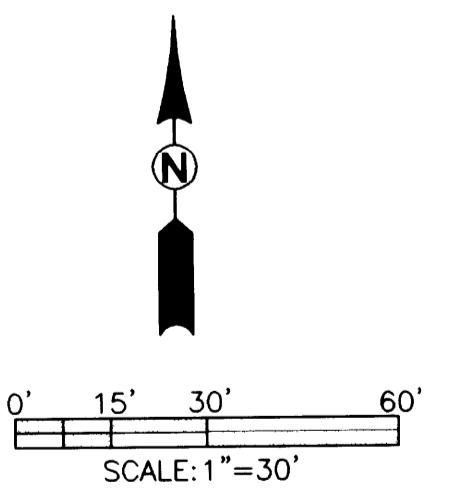


**EROSION SHEET LEGEND:**  
 ORIGINAL ELEV. \_\_\_\_\_  
 DESIGN ELEV. \_\_\_\_\_  
 SILT FENCE S-F \_\_\_\_\_  
 SEDIMENT BARRIER [Symbol]  
 INLET PROTECTION [Symbol]

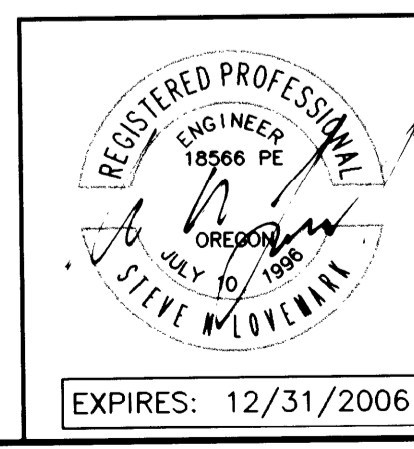


NOTE: ALL LOTS TO DRAIN TO DUANE COURT



**CALL BEFORE YOU DIG!**  
 ONE CALL (800) 332-2344  
 OAR 952-001-0010 THROUGH  
 OAR 952-001-0090

**i.e.** ENGINEERING  
 741 SE Jackson Street  
 Roseburg, Oregon 97470  
 PHONE (541) 673-0166  
 FAX (541) 440-9392  
 iemail@ieengineering.com



Rev.	Date	Dwg	Description
1	8/2/05	ANV	AGENCY REVIEW
2	12/13/05	JDL	AS-BUILT

Project Name:		ERVIN ESTATES
Title:		OVERALL LAYOUT
DES JPM	PROJECT NO.	1978-01
DWG ANV	DATE:	MAY 17, 2005
CHK SNL	SCALE:	AS SHOWN
APP SNL	SHEET:	2 OF 6

DO NOT DUPLICATE