

# HARRISON ESTATES SUBDIVISION STREET AND STORM WATER PLAN & PROFILE

FILED  
Date: 11/29/2013 By: HW  
This survey consists of:  
Map: DS-130 & DS-131  
Narrative:  
Corner Rpt:  
DOUGLAS COUNTY  
SURVEYOR

SURVEY  
DATE: 19 JULY 2006

SCALE: 1"=60'

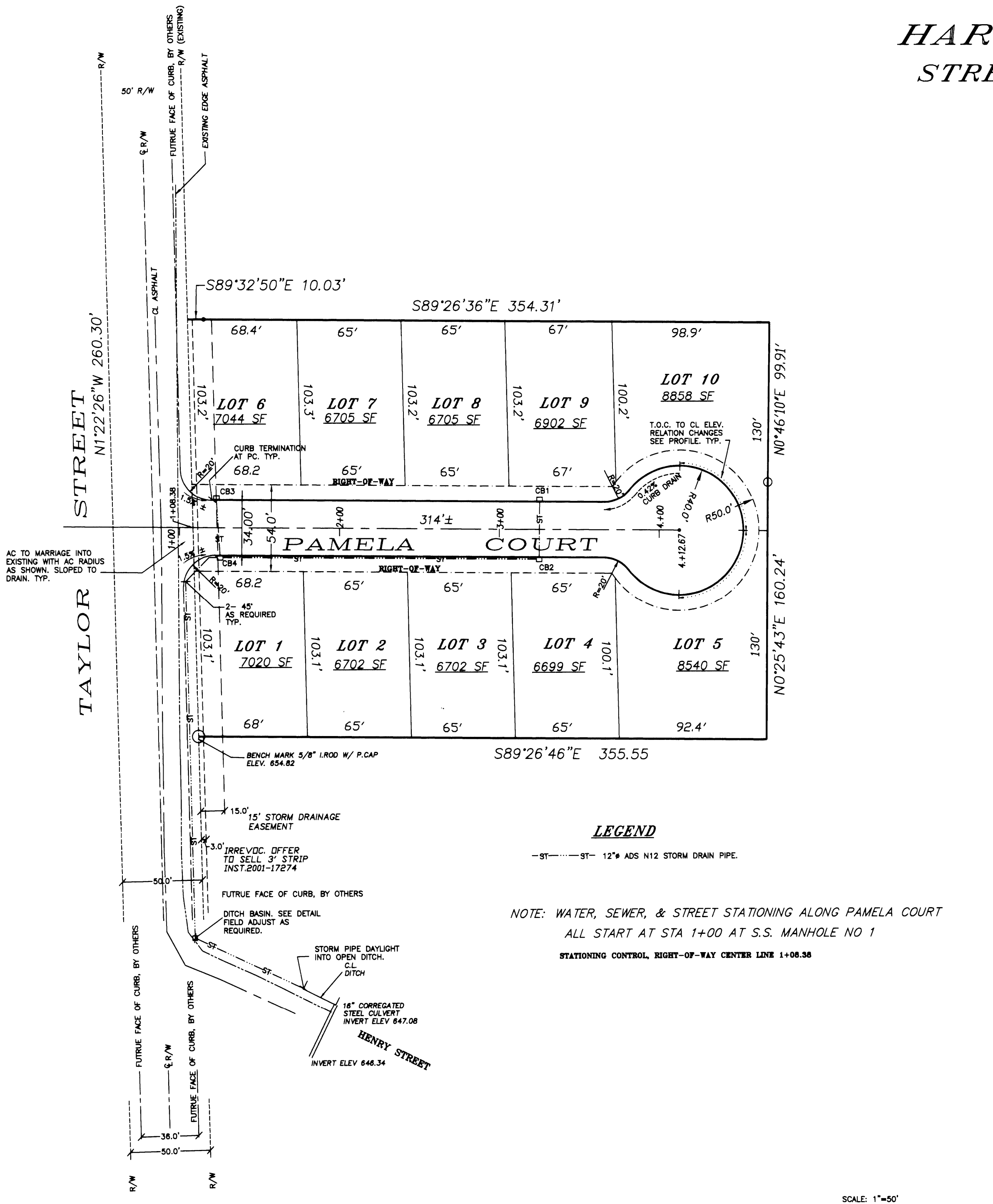
SURVEY  
REVISION:

FOR:  
SCOTT HARRISON  
ARK CONSTRUCTION  
465 OLD GARDEN VALLEY ROAD  
ROSEBURG, OR 97470

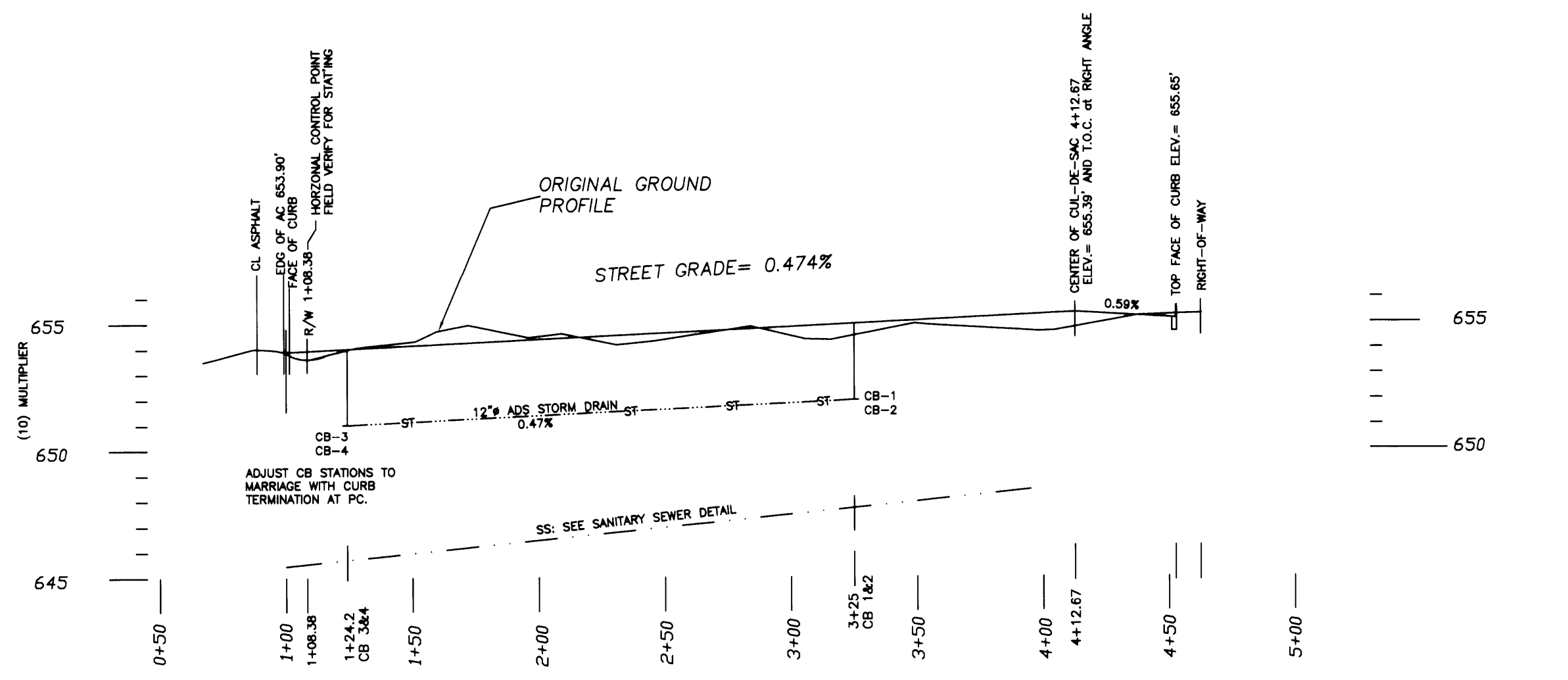
SURVEYING AND DRAFTING BY:  
DAVID J. BREEDLE  
BREEDLE  
163 TAYLOR ROAD  
RIDDLE, OREGON 97469



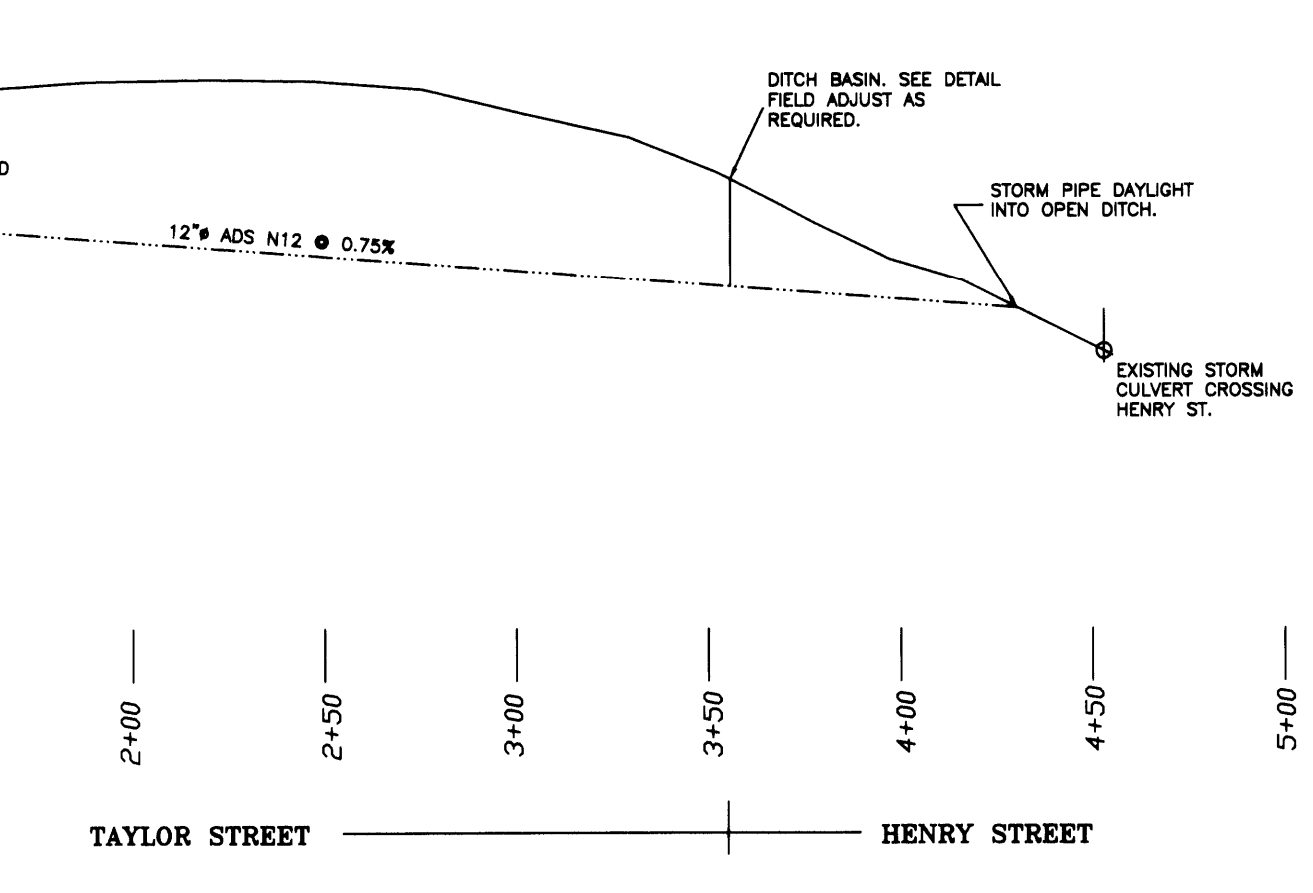
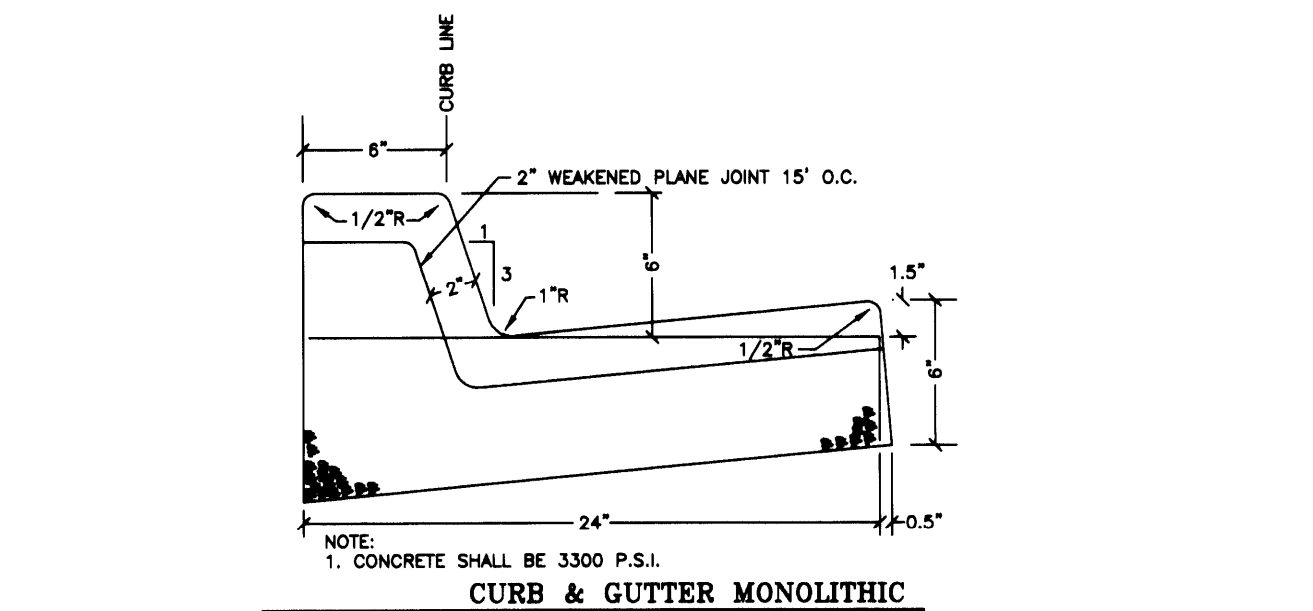
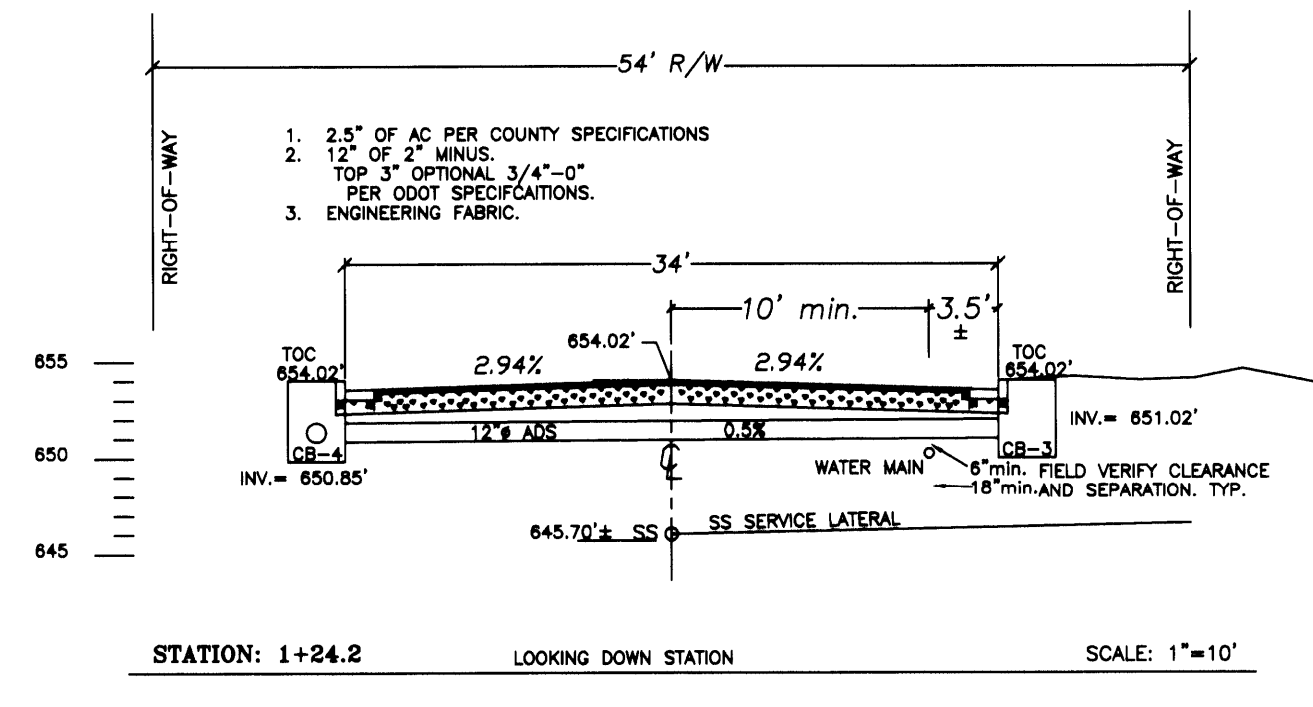
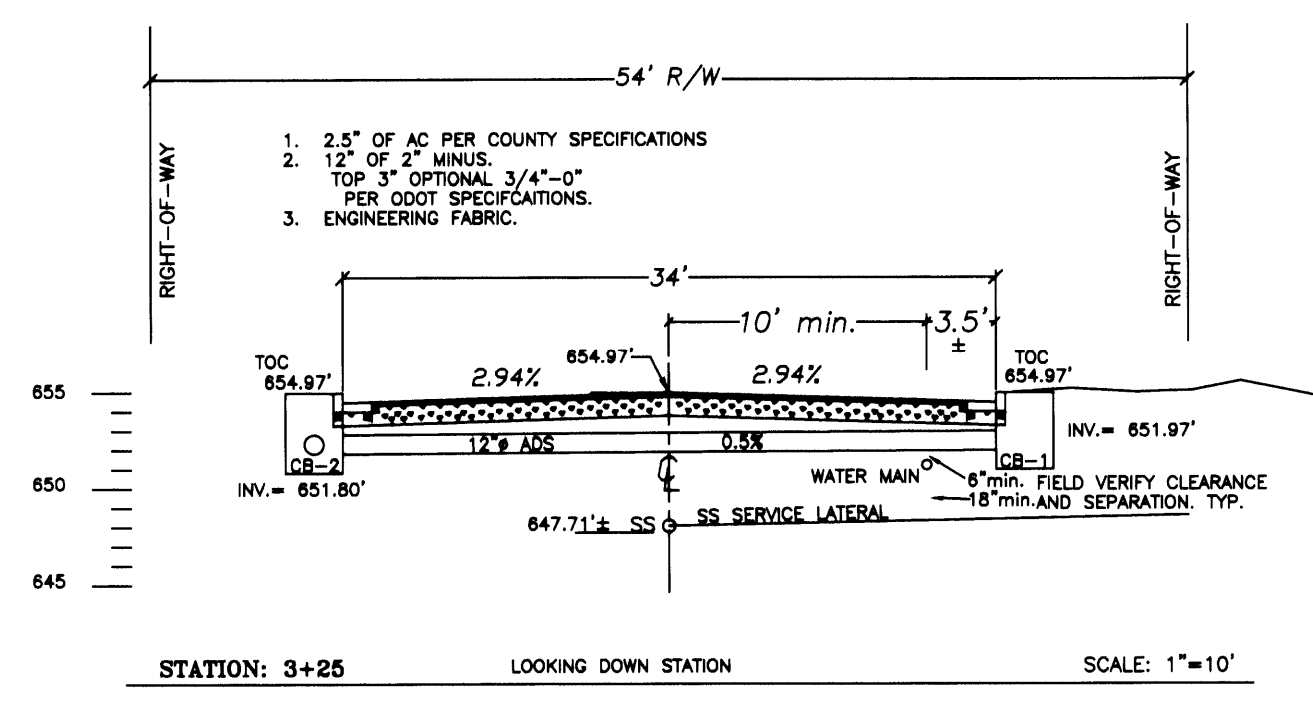
1"=50'



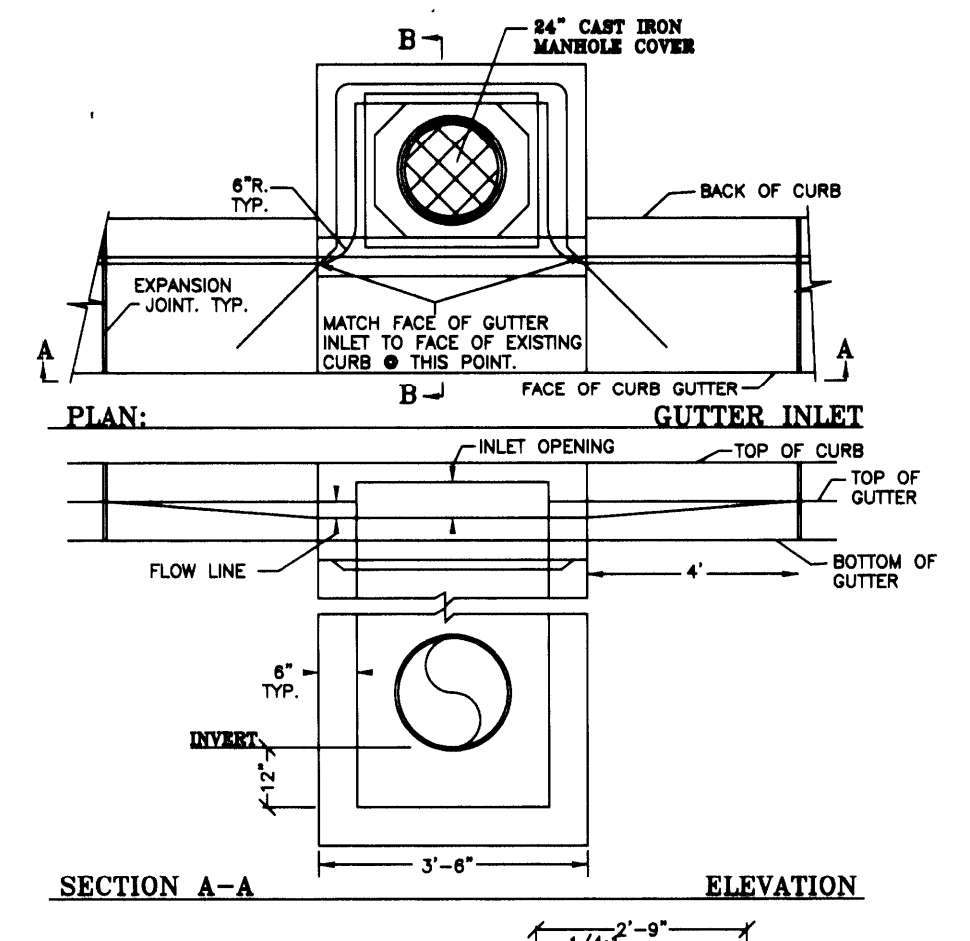
STREET & DRAINAGE PLAN SCALE: 1"=50'



PAMELA COURT STREET & STORM WATER PROFILE HORIZONTAL SCALE 1"=50' VERTICAL SCALE 1"=5' (10) MULTIPLIER

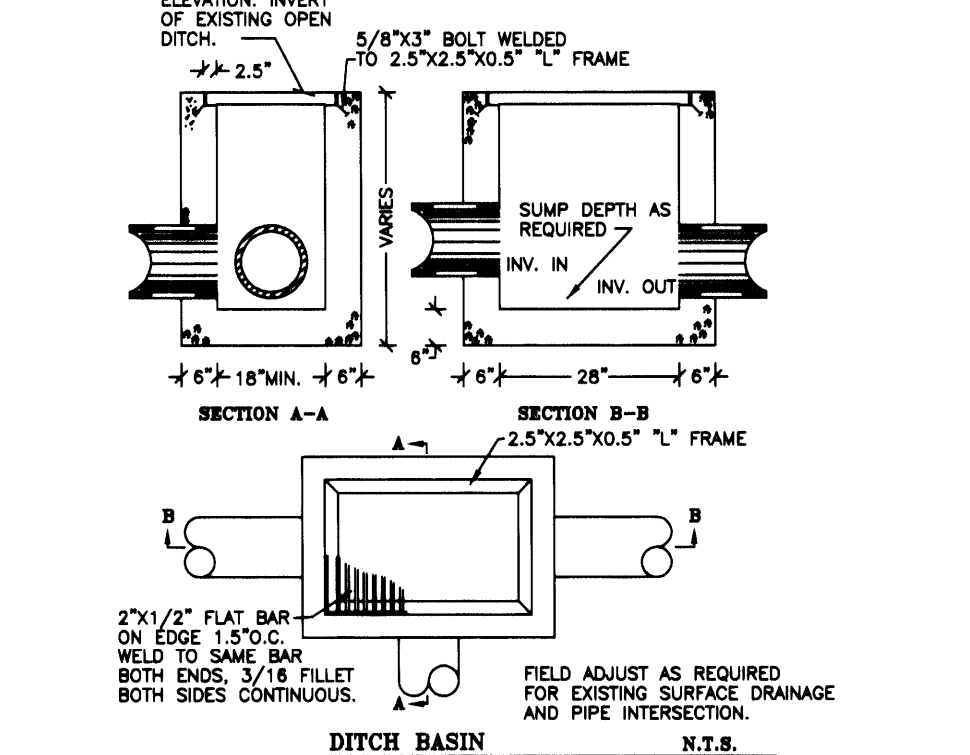


TAYLOR & HENRY STREET STORM WATER PROFILE HORIZONTAL SCALE 1"=50' VERTICAL SCALE 1"=5' (10) MULTIPLIER

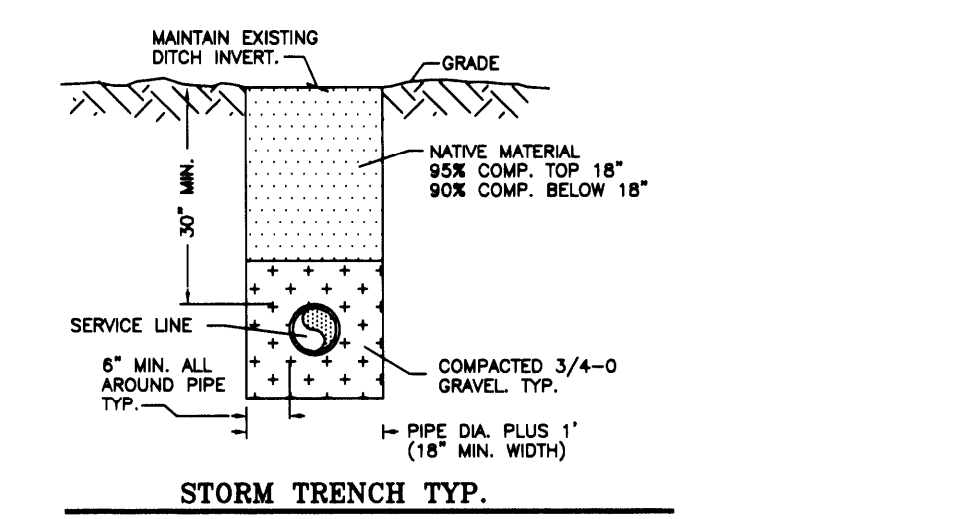


NOTE:  
THIS DETAIL IS FOR CONCEPT ONLY SHOWING "PELICAN" STYLE. SEE ODOT 80379 FOR DETAILS. TYP.  
CR INVERTS IS THE INVERT OF THE STORM PIPE. SEE ODOT DETAIL FOR ADDITIONAL DEPTH TO BOTTOM OF CB. TYP.

CURB INLET TYPE CG-3 WITH MANHOLE COVER CB-1,2,3 & 4 TYP.



DITCH BASIN N.T.S.



SEE GENERAL AND STREET IMPROVEMENT NOTES ON PAGE ONE. TYP.

"FIELD VERIFY" SHALL MEAN THE DEVELOPER TO VERIFY IN THE FIELD PRIOR TO IMPLEMENTING THESE PLANS.  
ANY AND ALL CHANGES, INCLUDING ENGINEERING DESIGN, MATERIAL, AND LABOR SHALL BE PAID BY THE DEVELOPER UNLESS OTHER SPECIFIC ARRANGEMENTS ARE MADE IN WRITING. TYP.



**AS-BUILT**  
**JORDAN ENGINEERING**  
460 JORDAN LANE  
ROSEBURG, OREGON 97470  
(541) 673-1931

SCALE: 1"=50'	HARRISON ESTATES SUBDIVISION	DRAWING CHECKED BY: K.C.J.
DATE: 8-18-06	STREET & DRAINAGE PLAN	REVISED: 6-22-07
SCOTT HARRISON 465 OLD GARDEN VALLEY ROAD ROSEBURG, OREGON	ARK CONSTRUCTION (541) 967-0090	DRAWING NUMBER 2 OF 2