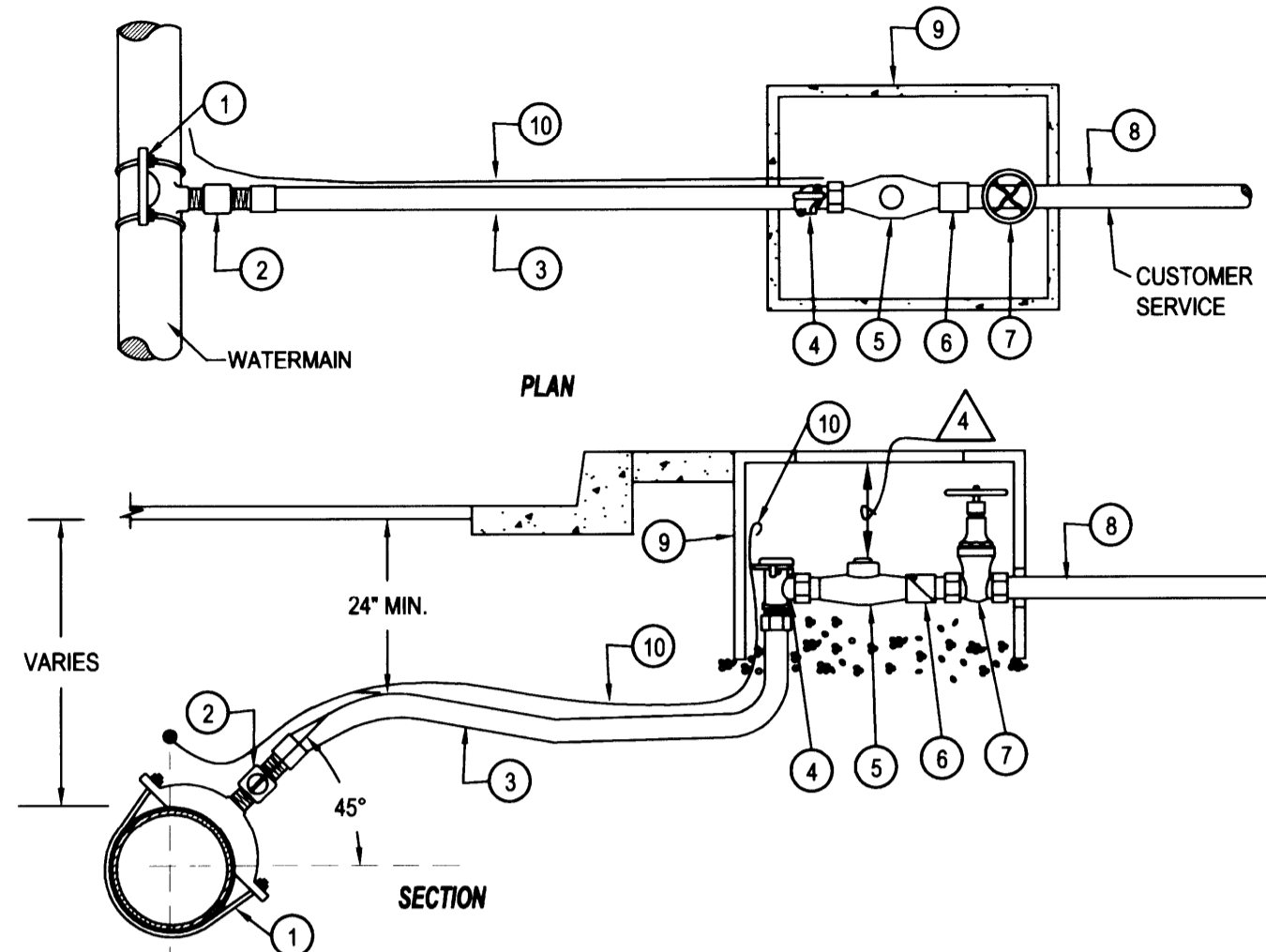


ITEM NO	SIZE	DESCRIPTION	TYPE Δ	QTY.
1	AS REQD	SERVICE SADDLE	FORD, BRASS S-91	1
2	1"	CORP. STOP	FORD, F-1100-G	1
3	1"	SERVICE PIPE	200 PSI HI MOLY POLYETHYLENE CTS PIPE	AS REQD
4	1"	BRANCH VALVE ASSEMBLY	FORD, KV43-332, 14" WIDTH	1
5	5/8"x3/4"	METER	NEPTUNE T-10 GALLONS READER	1
6	3/4"	DOUBLE CHECK VALVE	AS REQUIRED	1
7	3/4"	CUSTOMER VALVE	METER ADAPTER WITH 3/4" GATE VALVE	1
8	-	CUSTOMER SERVICE	PER STATE PLUMBING CODE	-
9	-	METER BOX	PLASTIC	1
10	NO. 12	WIRE	ELECTRICAL THIN SOLID COPPER WIRE, COIL 12" IN METER BOX	AS REQD

- Δ OR APPROVED EQUAL. SEE GENERAL SPECIFICATIONS.
- Δ TYPE AS APPROVED BY MANUFACTURER FOR WATER MAIN TYPE & SIZE.
- Δ TOP OF METER SHALL BE 4" TO 6" BELOW BOTTOM OF LID.

TYPICAL DUAL 5/8"x3/4" METER INSTALLATION ASSEMBLY

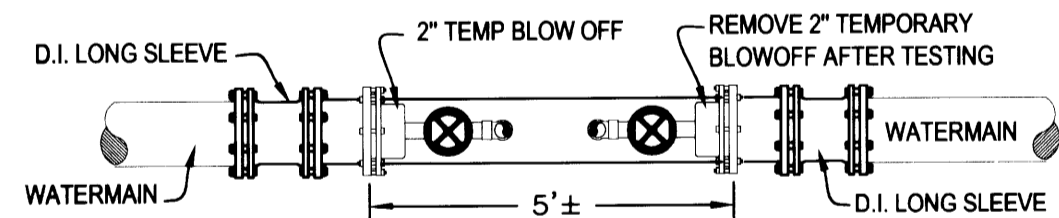


ITEM NO	SIZE	DESCRIPTION	TYPE Δ	QTY.
1	AS REQD	SERVICE SADDLE	FORD, BRASS S-91	1
2	1"	CORP. STOP	FORD, F-1100-G	1
3	1"	SERVICE PIPE	200 PSI HI MOLY POLYETHYLENE CTS PIPE	AS REQD
4	1"x3/4"	ANGLE STOP	FORD, KV43-332W (PACK JOINT)	1
5	5/8"x3/4"	METER	NEPTUNE T-10 GALLONS READER	1
6	3/4"	DOUBLE CHECK VALVE	AS REQUIRED	1
7	3/4"	CUSTOMER VALVE	METER ADAPTER WITH 3/4" GATE VALVE	1
8	-	CUSTOMER SERVICE	PER STATE PLUMBING CODE	-
9	-	METER BOX	PLASTIC	1
10	NO. 12	WIRE	ELECTRICAL THIN SOLID COPPER WIRE, COIL 12" IN METER BOX	AS REQD

- Δ OR APPROVED EQUAL. SEE GENERAL SPECIFICATIONS.
- Δ TYPE AS APPROVED BY MANUFACTURER FOR WATER MAIN TYPE & SIZE.
- Δ WHERE A 1-INCH SERVICE LINE IS SPECIFIED TO SERVE A SINGLE 5/8"x3/4" METER, USE 1" FOR F-1100-G CORP STOP, FORD KV43-342WG(PJ), AND 1" CST HI MOLY POLYETHYLENE PIPE
- Δ TOP OF METER SHALL BE 4" TO 6" BELOW BOTTOM OF LID.

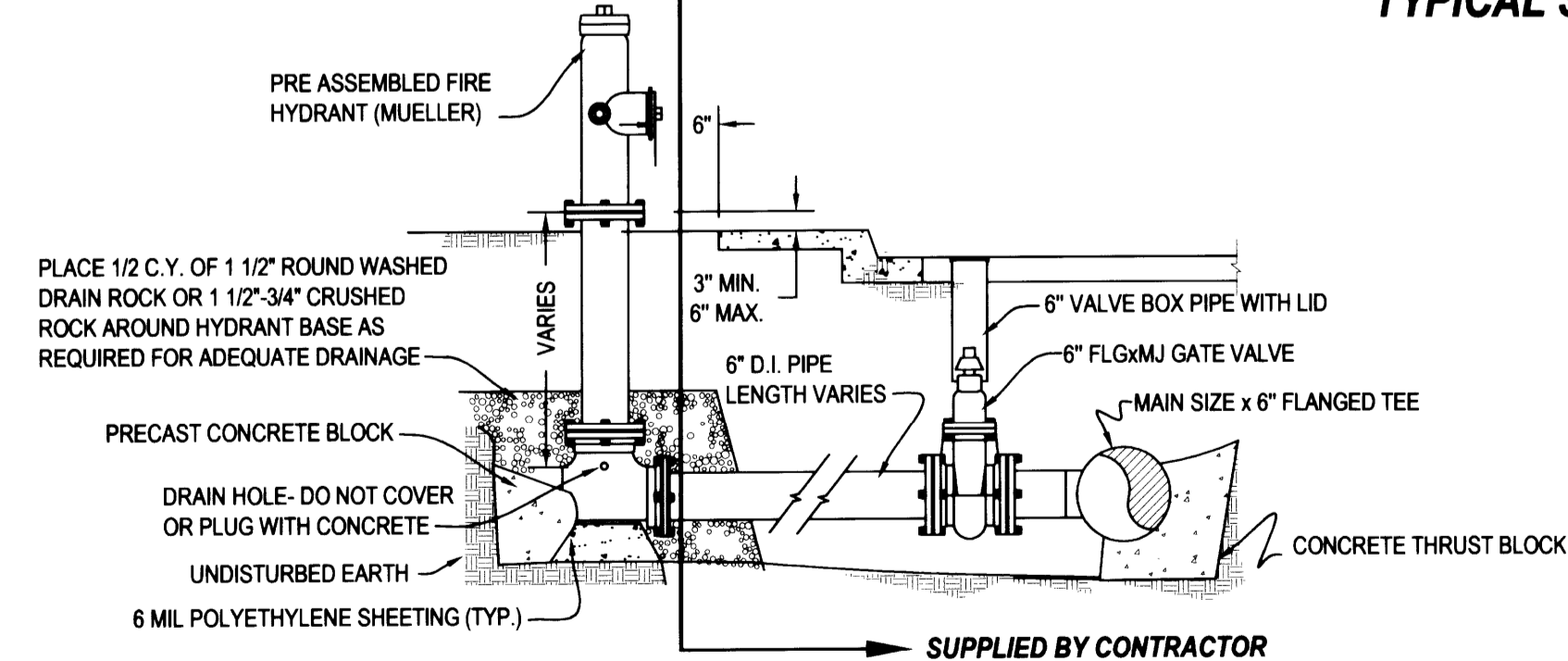
TYPICAL SINGLE 5/8"x3/4" METER INSTALLATION ASSEMBLY

- NOTES:**
- ALL PIPE AND FITTINGS FOR TIE-IN TO BE CLEAN AND WIPED w/CHLORINE PRIOR TO INSTALLATION
 - PIPE SIZES ARE SHOWN ON PLANS
 - CONTRACTOR TO ALIGN NEW MAINLINE IN BOTH ALIGNMENT AND GRADE w/EXISTING WATERLINE. CONNECTION TO EXISTING WATERLINE CAN ONLY BE MADE AFTER INSTALLATION, TESTING & DISINFECTION OF NEW WATERLINE HAS BEEN COMPLETED.

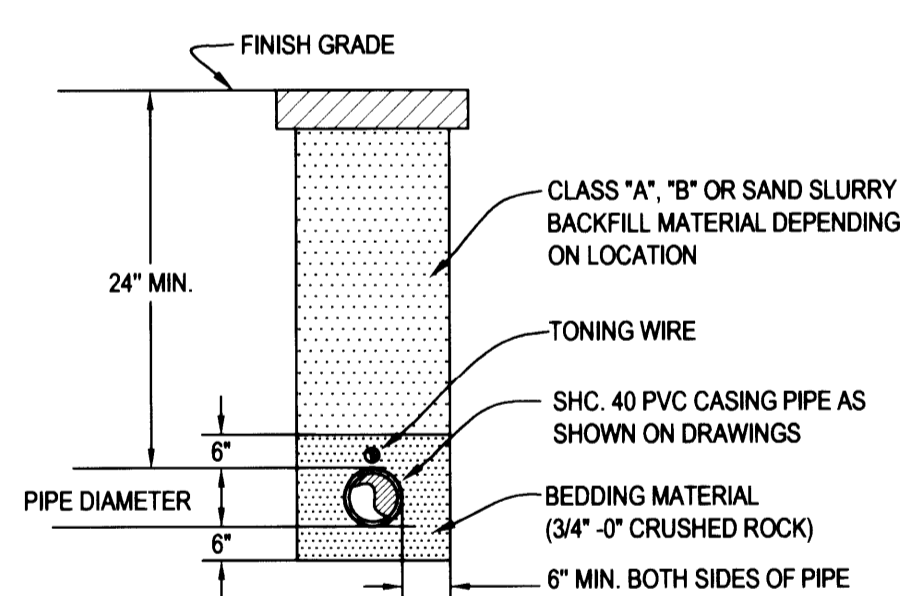


TYPICAL WATER TIE-IN DETAIL

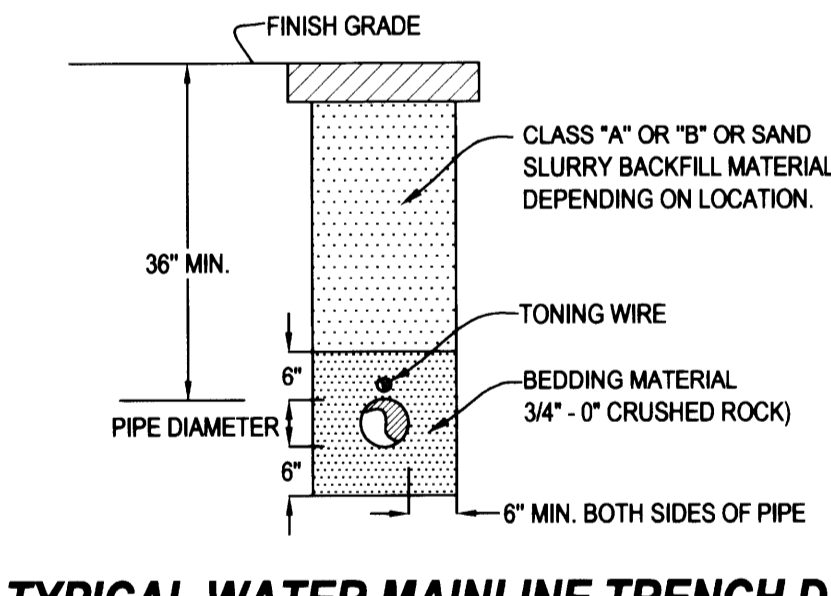
SUPPLIED BY FIRE DISTRICT #2



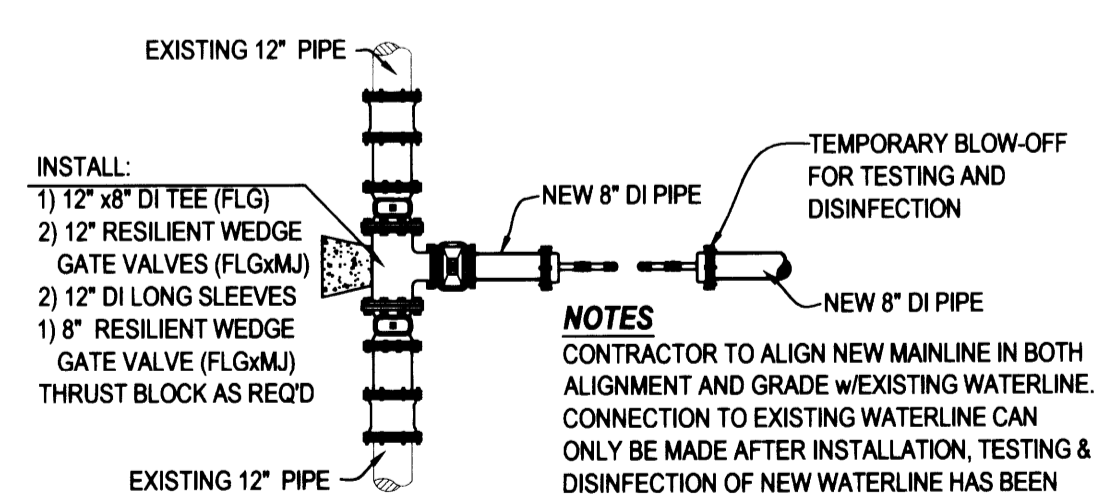
TYPICAL FIRE HYDRANT INSTALLATION (THRUST BLOCKED)



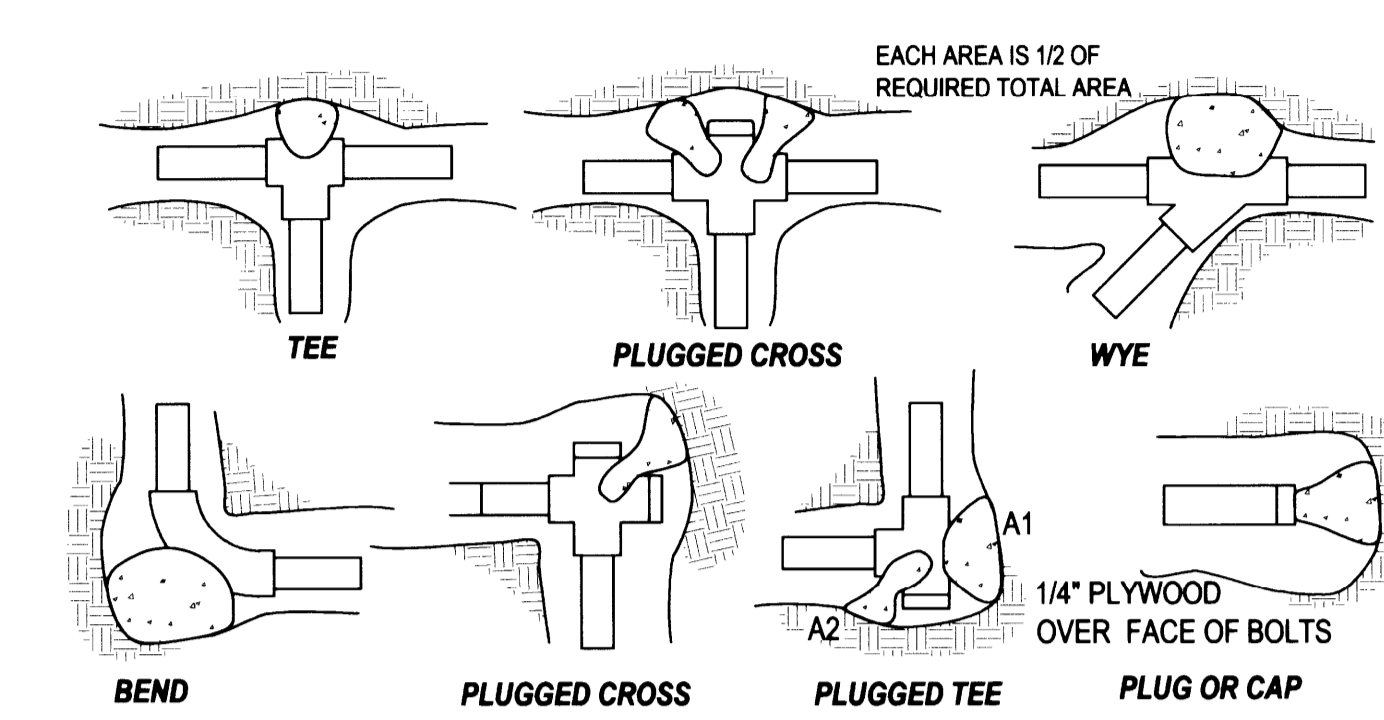
TYPICAL SERVICE LINE TRENCH DETAIL



TYPICAL WATER MAINLINE TRENCH DETAIL



TIE IN DETAIL



FITTING SIZE	TEE, WYE, PLUG, OR CROSS		90° BEND PLUGGED CROSS		TEE PLUGGED CROSS		45° BEND	22 1/2" BEND	11 1/4" BEND
	A1	A2	A1	A2	A1	A2			
2	0.5	1.1	1.6	1.1	0.5	-	-	-	-
3	1.3	2.1	3.2	2.1	1.3	0.5	-	-	-
4	2.7	3.7	5.1	3.7	2.7	1.1	0.5	-	-
6	5.6	8.0	11.5	8.0	4.3	2.7	1.3	-	-
8	10.1	14.2	20.3	14.4	7.7	4.0	1.7	-	-
10	15.8	22.4	31.5	22.4	12.3	6.4	3.2	-	-
12	22.7	32.0	45.4	32.0	17.6	9.1	4.5	-	-
14	30.7	43.5	61.4	43.5	23.8	12.3	6.1	-	-
16	40.1	56.9	80.1	56.9	31.0	16.0	8.0	-	-
18	50.7	72.1	101.5	72.1	39.0	20.3	10.1	-	-
20	62.7	88.9	125.5	88.9	48.3	25.1	12.5	-	-
24	90.8	128.2	181.6	128.2	70.0	36.3	18.2	-	-

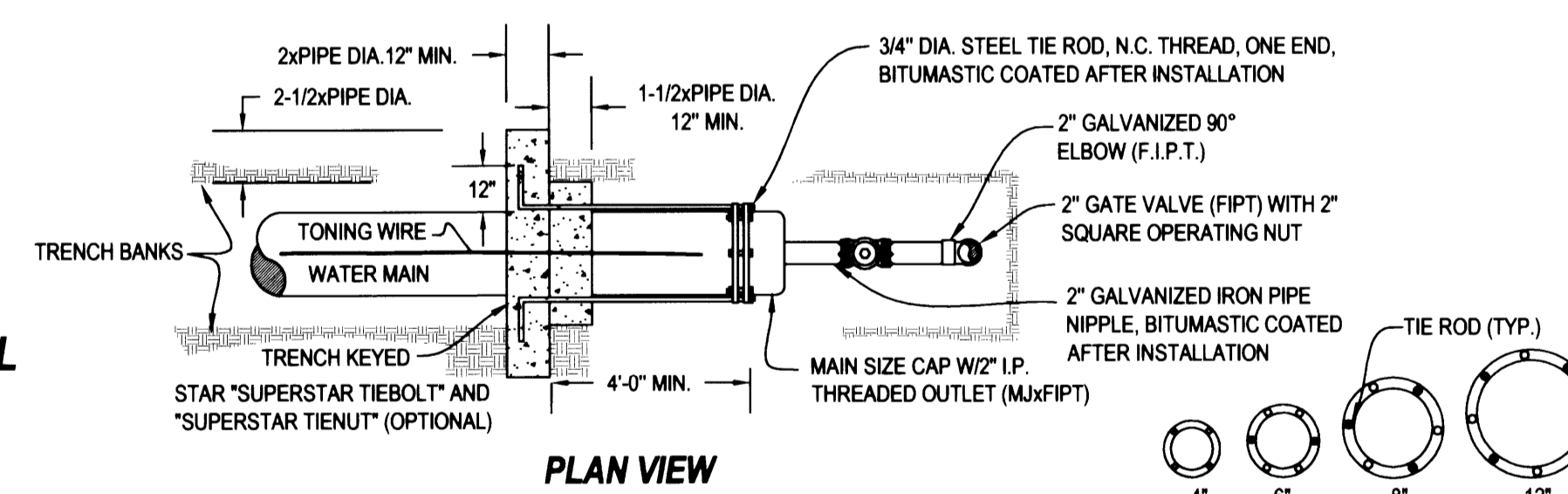
NOTE:
ABOVE BEARING AREAS BASED ON TEST PRESSURE OF 200 p.s.i. AND AN ALLOWABLE SOIL BEARING STRESS OF 1,000 LBS. PER SQUARE FOOT. TO COMPUTE BEARING AREAS FOR DIFFERENT TEST PRESSURES AND SOIL BEARING STRESSES, USE THE FOLLOWING EQUATION: BEARING AREA = (TEST PRESSURE/200) x (1000/SOIL BEARING STRESS) x (TABLE VALUE)

NOTES:

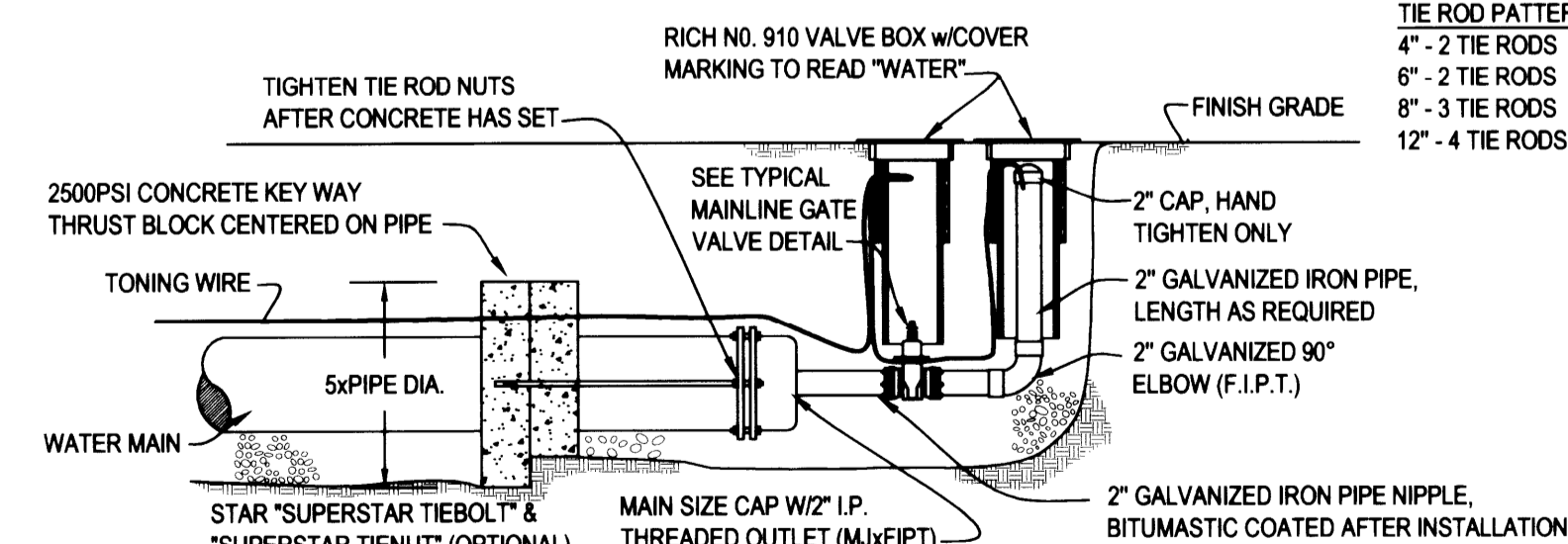
- CONCRETE THRUST BLOCKING TO BE POURED AGAINST UNDISTURBED EARTH.
- KEEP CONCRETE CLEAR OF JOINT AND ACCESSORIES.
- THE REQUIRED THRUST BEARING AREAS FOR SPECIAL CONNECTIONS ARE SHOWN ENCLOSED ON THE PLANS, e.g. (15) INDICATES 15 SQUARE FEET BEARING AREA REQUIRED.
- IF NOT SHOWN ON PLANS REQUIRED BEARING AREAS AT FITTING SHALL BE AS INDICATED ABOVE, ADJUSTED IF NECESSARY, TO CONFORM TO THE TEST PRESSURE(S) AND ALLOWABLE SOIL BEARING STRESS(ES) STATED IN THE SPECIAL SPECIFICATIONS.
- BEARING AREAS AND SPECIAL BLOCKING DETAILS SHOWN ON PLANS. TAKE PRECEDENCE OVER BEARING AREAS AND BLOCKING DETAILS SHOWN ON THIS STANDARD DETAIL.

THRUST BLOCK DETAILS AND INFORMATION

(NO SCALE)

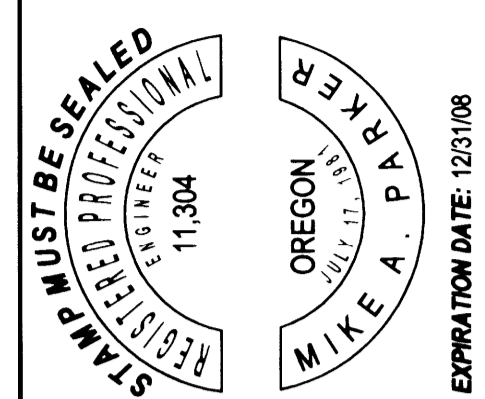


PLAN VIEW



SIDE VIEW

TYPICAL 2" BLOWOFF ASSEMBLY DETAIL (10B)



MAP Engineering, Inc.
741 SE JACKSON STREET
ROSEBURG, OREGON 97470
PHONE: (541) 229-0365 FAX: (541) 229-0353
EMAIL: info@mapengineeringinc.com

**KYLEE ESTATES
ASBUILT DRAWINGS**
DETAILS - WATER

PROJECT NAME	PROJECT NO.: 2005-01
DRAWING TITLE	DATE: 06/07/2007
DESIGNER: JCB	DRAFTER: JCB
APPROVAL: MAP	DATE: AS NOTED
BY:	DATE:
REVISION #:	DATE: