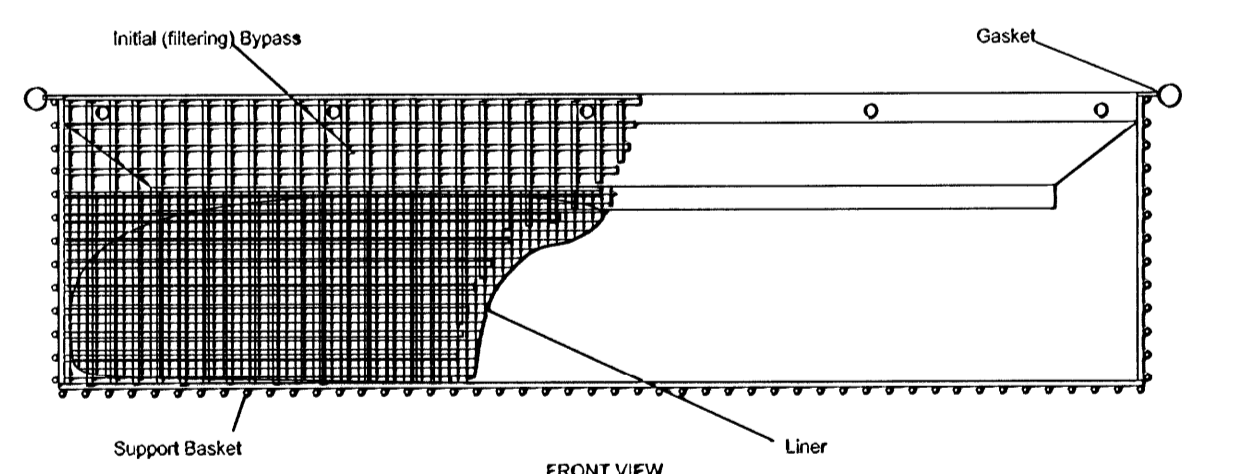
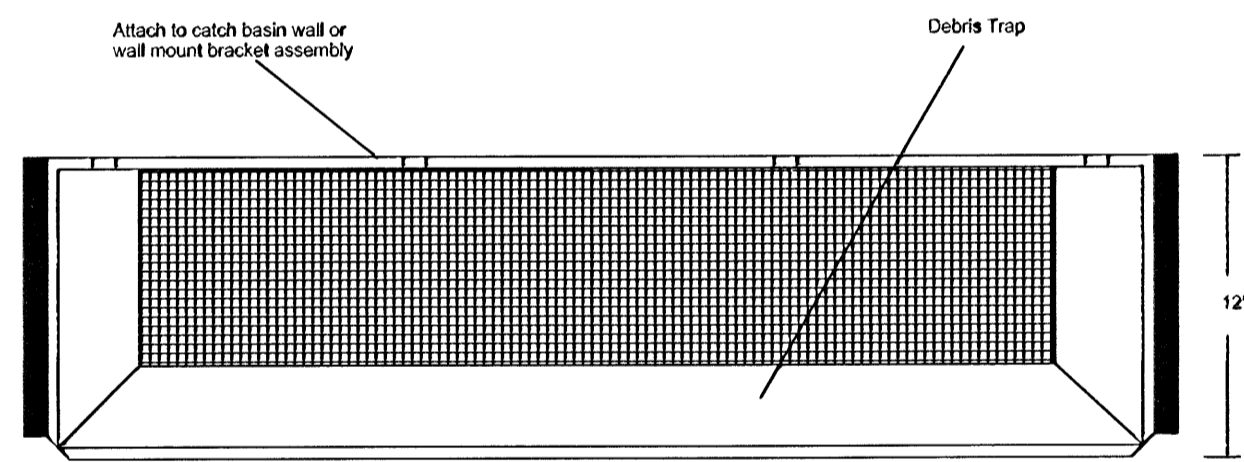
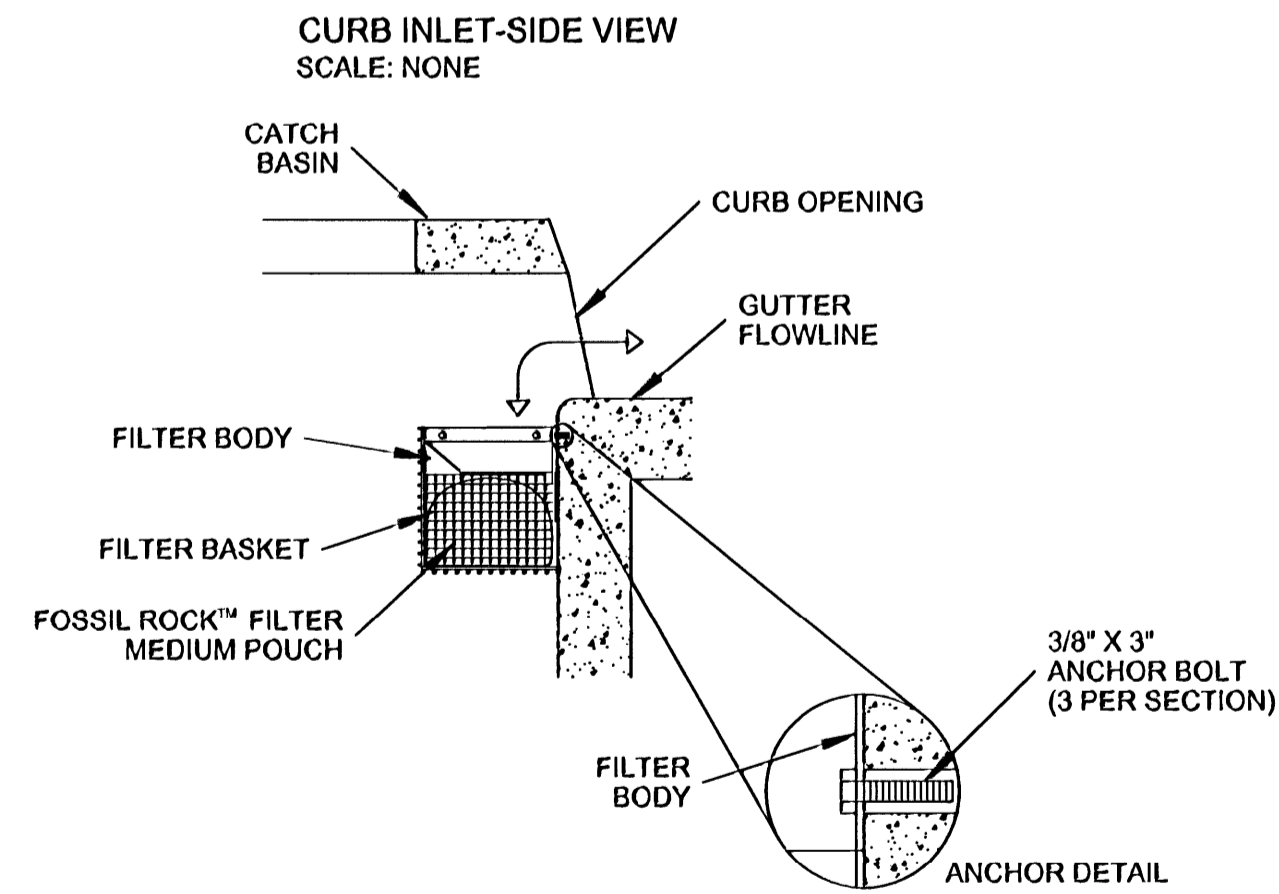


**BIO-SWALE DETAIL**  
N.T.S.

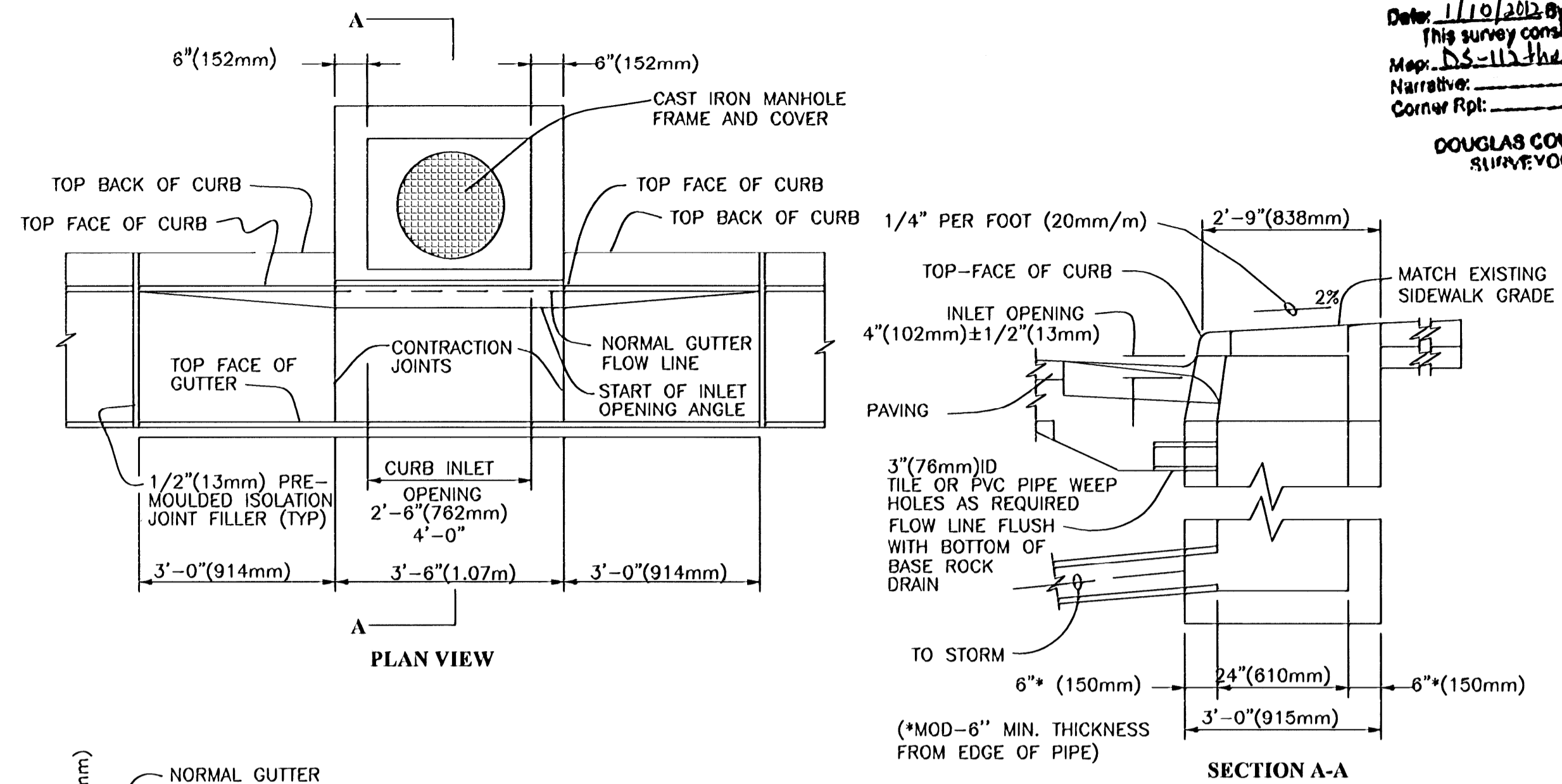


- NOTES:**
1. Flo-Gard™+PLUS (curb mount) high capacity catch basin inserts are available in sizes to fit most industry-standard catch basin sizes and styles (see specific chart). Refer to the Flo-Gard™+PLUS (wall mount) insert for devices to fit non-standard or combination style catch basins.
  2. Filter insert shall have both an "initial" filtering bypass and "ultimate" high-flow bypass feature.
  3. Filter assembly shall be constructed from stainless steel (Type 304).
  4. Allow a minimum of 2" of clearance between the bottom of grate and top of inlet or outlet piping. Refer to the Flo-Gard™ insert for "shallow" installations.
  5. Filter medium shall be Rubberizer® installed and maintained in accordance with manufacturer recommendations.

**FLO-GARD™+PLUS**  
**CATCH BASIN FILTER INSERT**  
(Curb Mount)  
**CURB INLET**  
KriStar Enterprises, Inc., Santa Rosa, CA (800) 579-8819 08/04

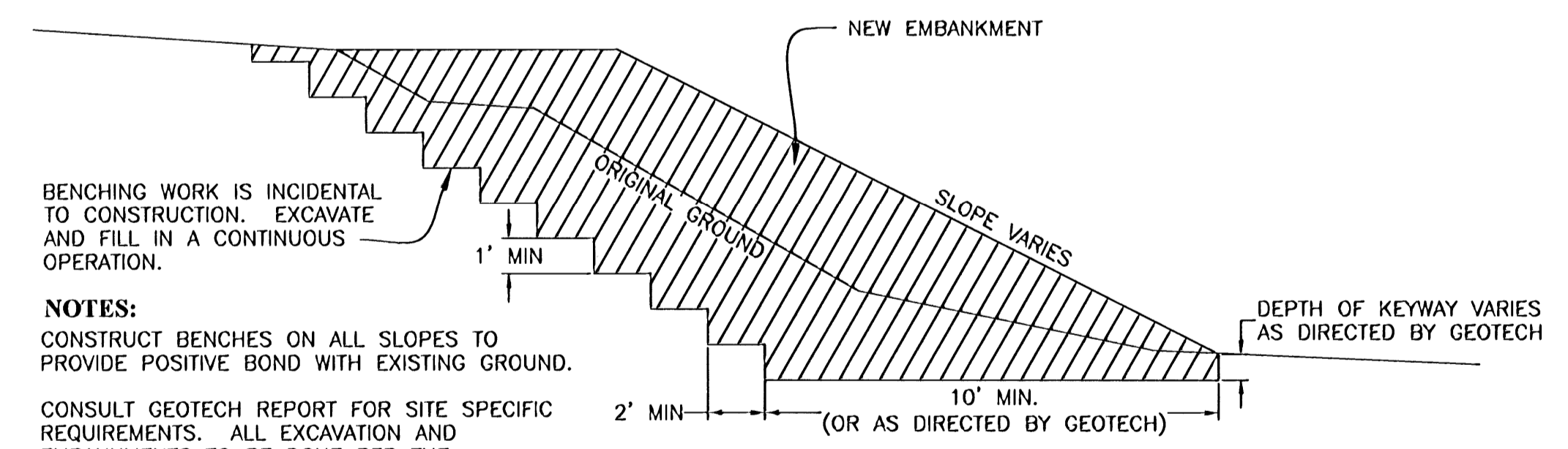


**FLO-GARD™+PLUS**  
**CATCH BASIN FILTER INSERT**  
(Curb Mount-Installation Options)  
**CURB INLET**  
KriStar Enterprises, Inc., Santa Rosa, CA (800) 579-8819 08/04



- NOTES:**
1. ALL FABRICATED METAL PARTS SHALL BE HOT-DIPPED GALVANIZED AFTER FABRICATION EXCEPT MH FRAME AND COVER.
  2. CONCRETE SHALL MEET CITY STANDARD SPEC. FOR STREET CONSTRUCTION STRUCTURES. (3300 PSI, 22.75MPa)
  3. FOR STEEP GRADES USE STD. PRECAST INLET WITH 4'-0" (102mm) OPENING OR TWO 2'-6" (762mm) OPENING INLETS.
  4. CURB INLET BASE MAY BE PRECAST OR CAST-IN-PLACE.

**TYPICAL CG-3 INLET DETAIL**

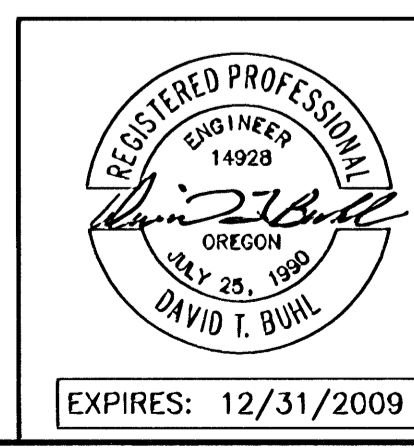


- NOTES:**
1. BENCHING WORK IS INCIDENTAL TO CONSTRUCTION. EXCAVATE AND FILL IN A CONTINUOUS OPERATION.
  2. CONSTRUCT BENCHES ON ALL SLOPES TO PROVIDE POSITIVE BOND WITH EXISTING GROUND.
  3. CONSULT GEOTECH REPORT FOR SITE SPECIFIC REQUIREMENTS. ALL EXCAVATION AND EMBANKMENTS TO BE DONE PER THE OBSERVATION AND SUPERVISION OF A LICENSED GEOTECHNICAL ENGINEER. DEPTH OF KEY IS BASED UPON SOIL CONDITIONS AND RECOMMENDATIONS OF GEOTECH ENGINEER.

**STANDARD EMBANKMENT CONSTRUCTION**

**CALL BEFORE YOU DIG!**  
ONE CALL: (800) 332-2344  
OR 952-001-0010 THROUGH  
OR 952-001-0090

**i.e. ENGINEERING**  
809 SE Pine Street  
Roseburg, Oregon 97470  
PHONE (541) 673-0166  
FAX (541) 440-9392  
jemail@ieengineering.com



Rev.	Date	Dwg	Description
1	4/20/07	BWC	AGENCIES REVIEW
2	3/18/09	ANV	AS-BUILTS

Project Name:	CAMELOT
Title:	CONSTRUCTION DETAILS
DES JPM	PROJECT NO. 973-21T2
DWG BWC	DATE: MARCH 27, 2007
CHK SNL	SCALE: AS SHOWN
APP SNL	SHEET: 8 OF 10

**FILED**  
Date: 1/10/2007 by: ANV  
This survey consists of:  
Map: DS-119 thru 131  
Narrative:  
Corner Rpt:  
**DOUGLAS COUNTY**  
SURVEYOR