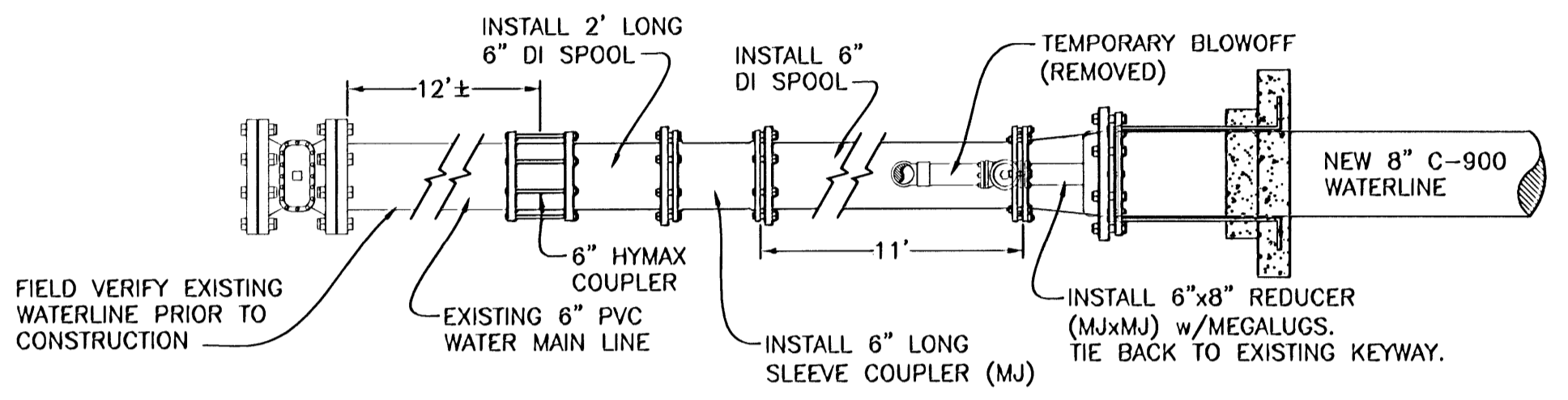
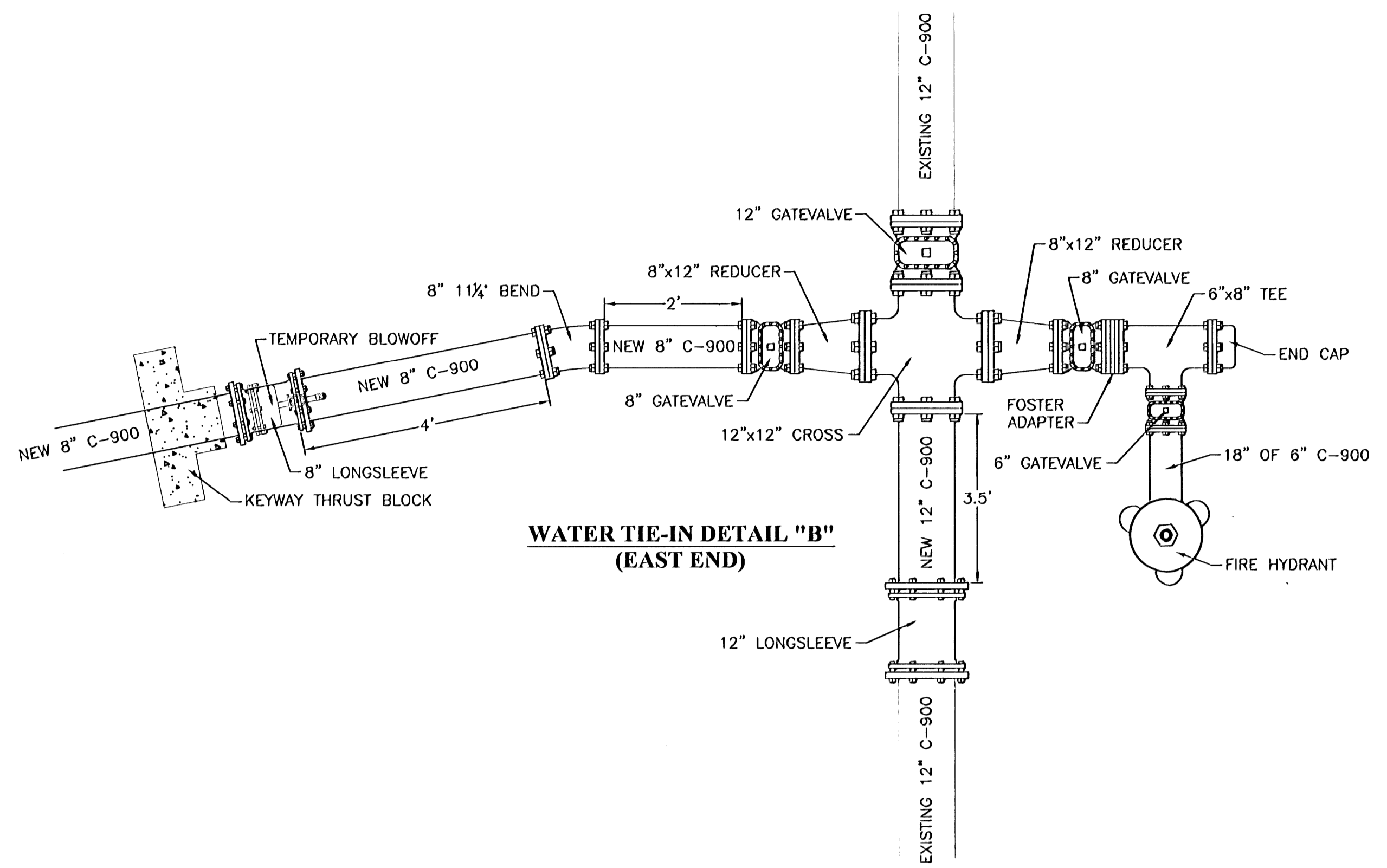


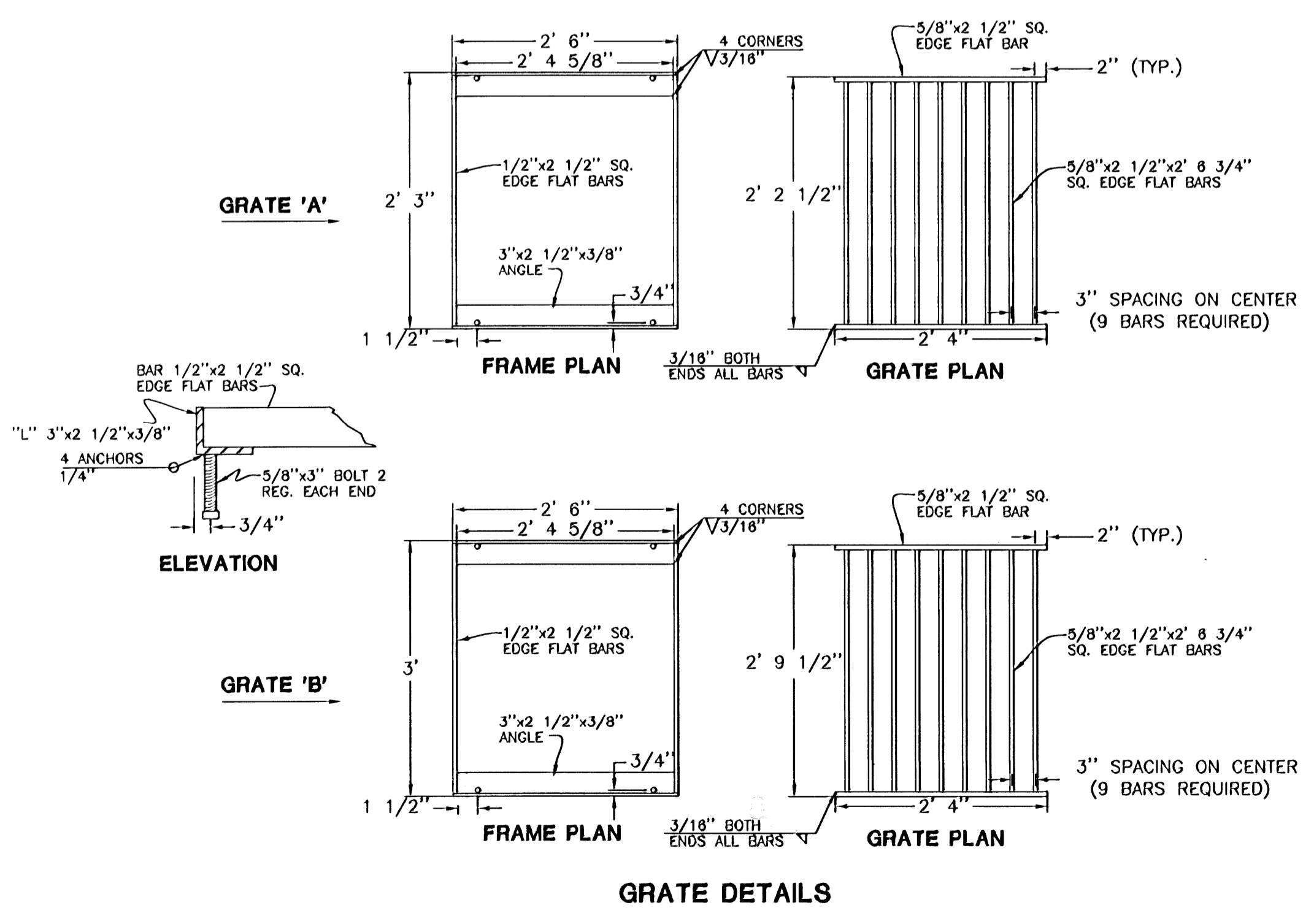
NOTES:
 ALL PIPE AND FITTINGS FOR TIE-IN TO BE CLEAN AND WIPED w/CHLORINE PRIOR TO INSTALLATION
 PIPE SIZES ARE SHOWN ON PLANS
 CONTRACTOR TO ALIGN NEW MAINLINE IN BOTH ALIGNMENT AND GRADE w/EXISTING WATERLINE. CONNECTION TO EXISTING WATERLINE CAN ONLY BE MADE AFTER INSTALLATION, TESTING & DISINFECTION OF NEW WATERLINE HAS BEEN COMPLETED.



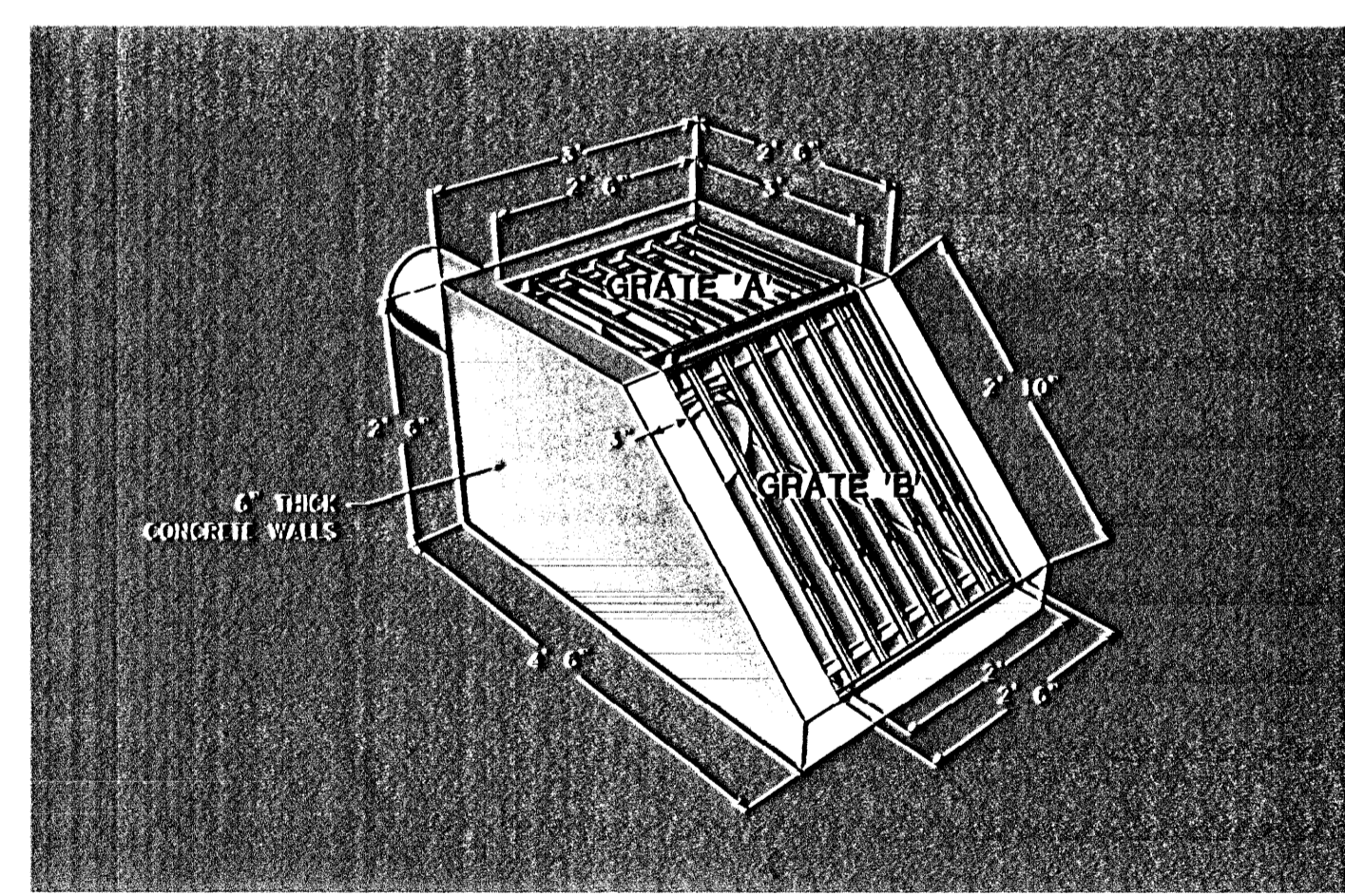
WATER TIE-IN DETAIL "A" (WEST END)



WATER TIE-IN DETAIL "B" (EAST END)



GRATE DETAILS



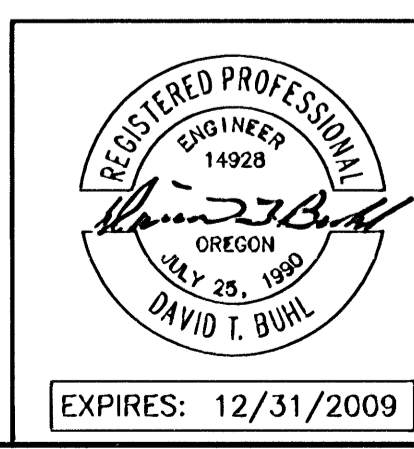
DETENTION STRUCTURE ISOMETRIC

N.T.S.

CALL BEFORE YOU DIG I
ONE CALL: (800) 332-2344
 OAR 952-001-0010 THROUGH
 OAR 952-001-0090

i.e. ENGINEERING
 809 SE Pine Street
 Roseburg, Oregon 97470
 PHONE (541) 673-0166
 FAX (541) 440-9392
 iemail@ieengineering.com

Project Name:		CAMELOT
Title:		CONSTRUCTION DETAILS
DES JPM	PROJECT NO.	973-21T2
DWG BWC	DATE:	MARCH 27, 2007
CHK SNL	SCALE:	AS SHOWN
APP SNL	SHEET:	5 OF 10



Rev.	Date	Dwg	Description
1	4/20/07	BWC	AGENCIES REVIEW
3	3/19/09	ANV	AS-BUILTS

DO NOT DUPLICATE