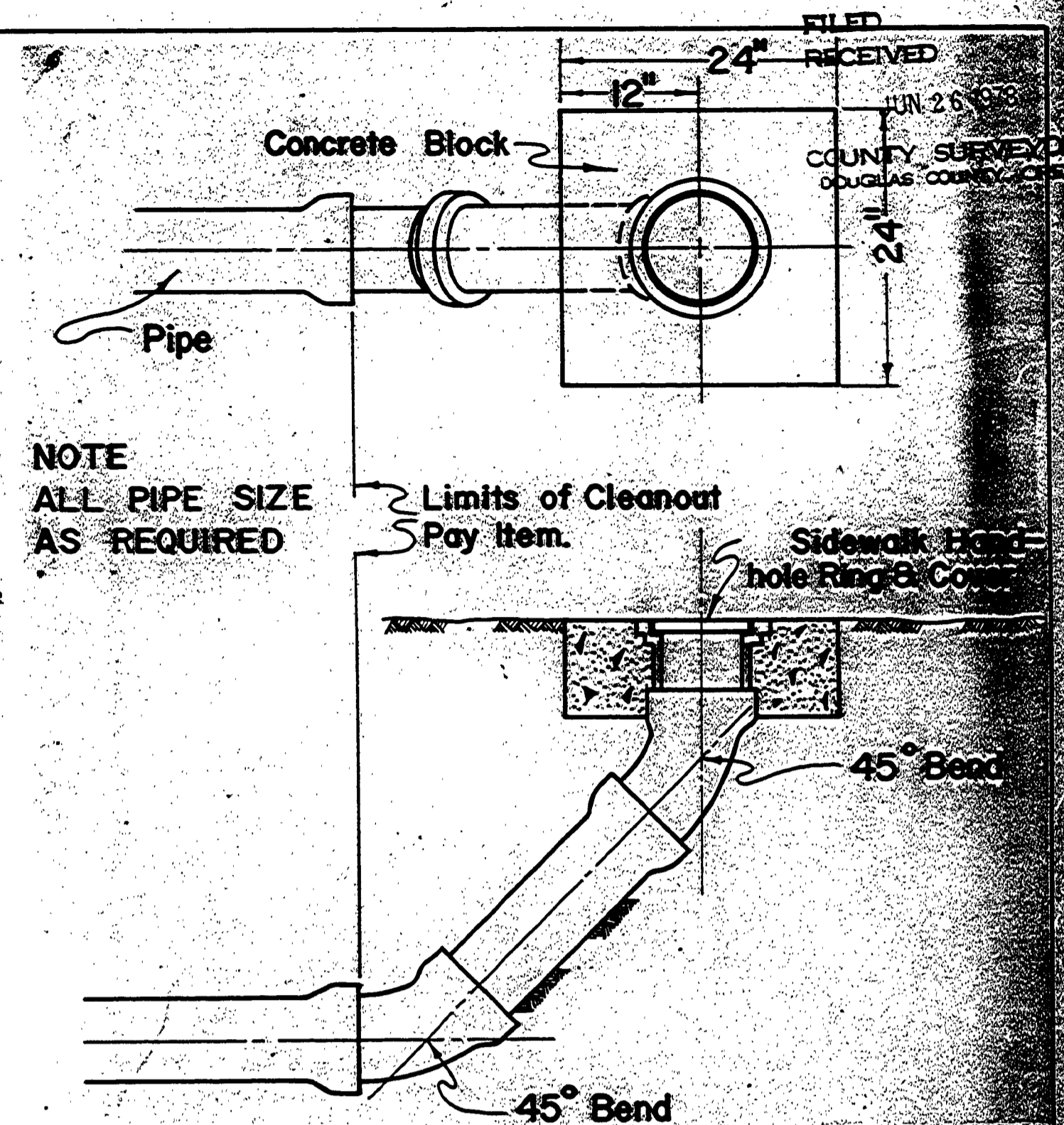
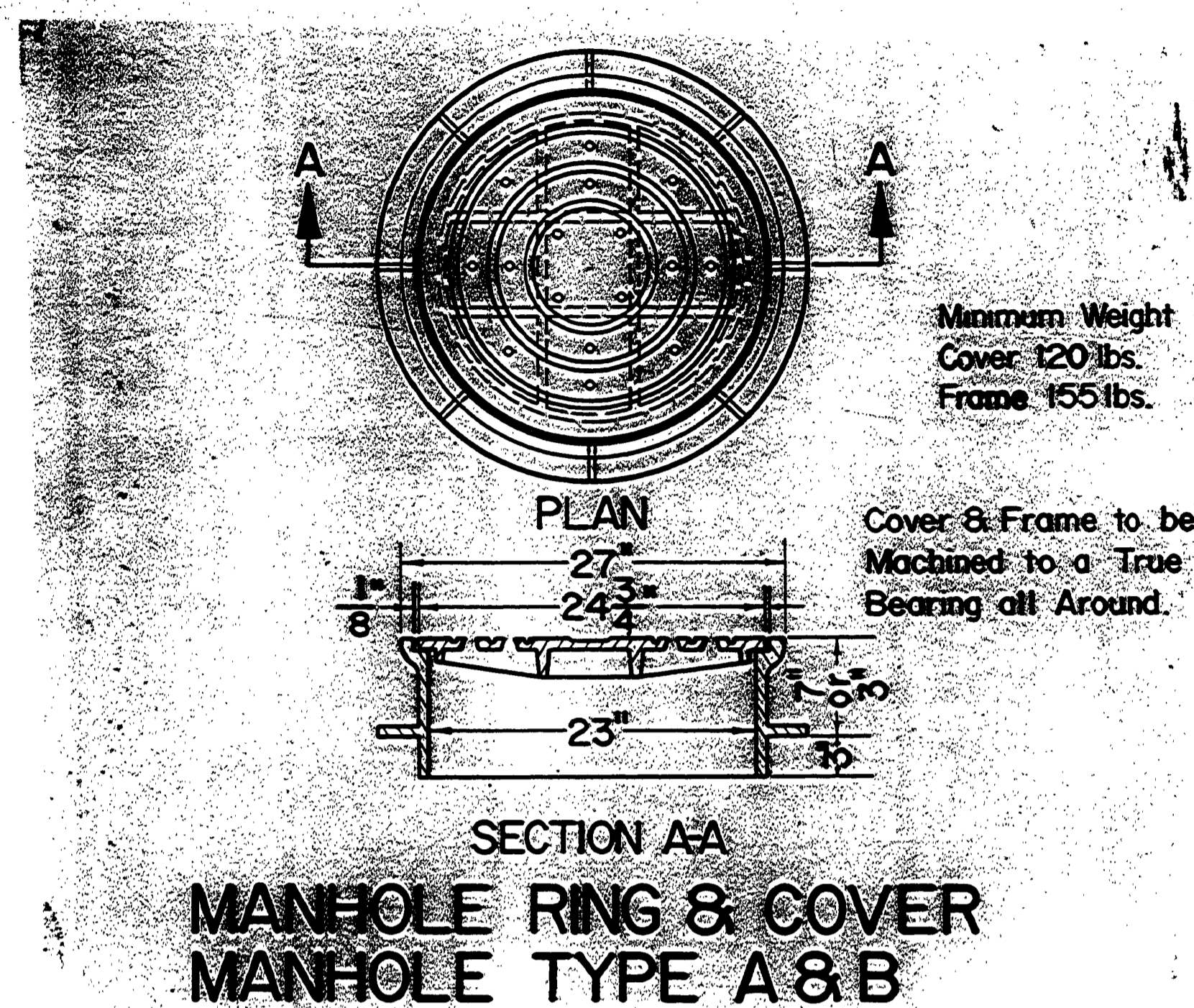
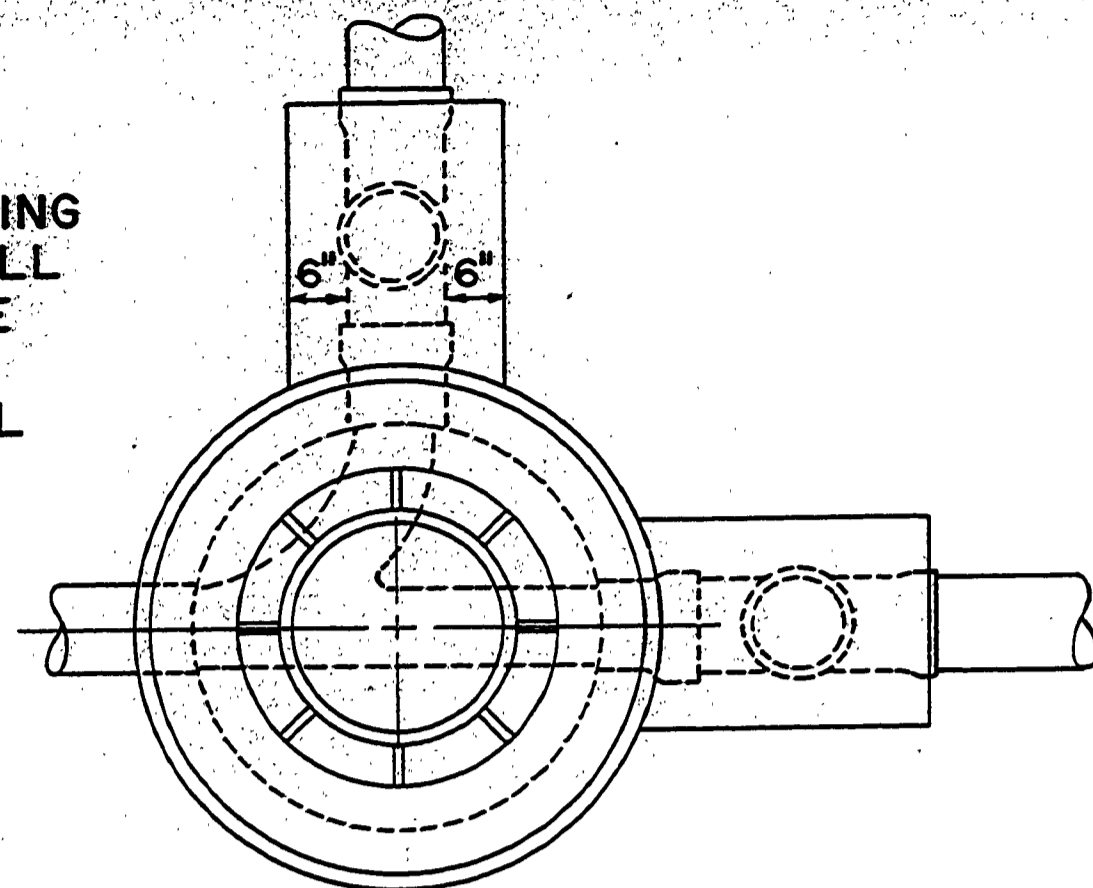
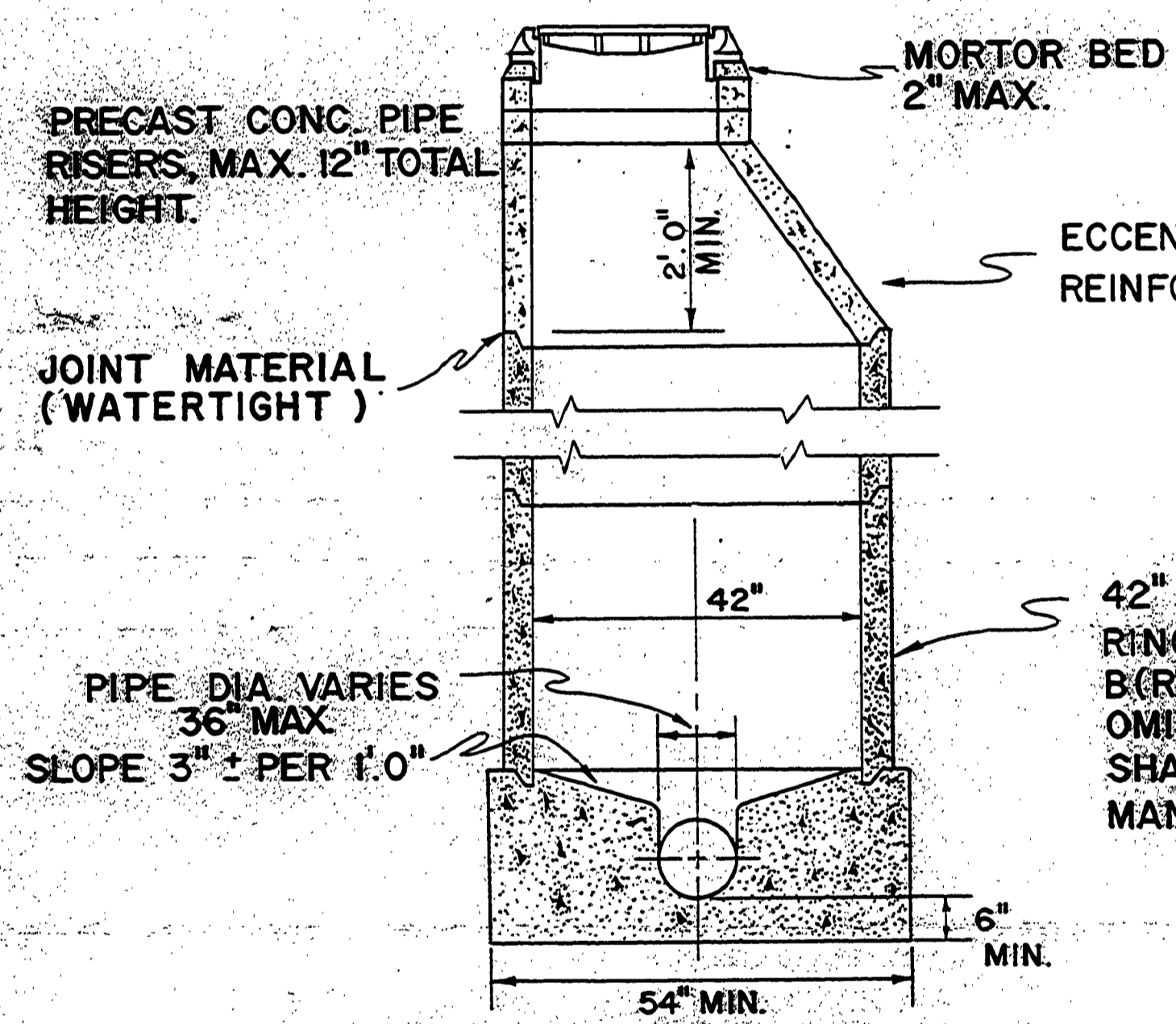


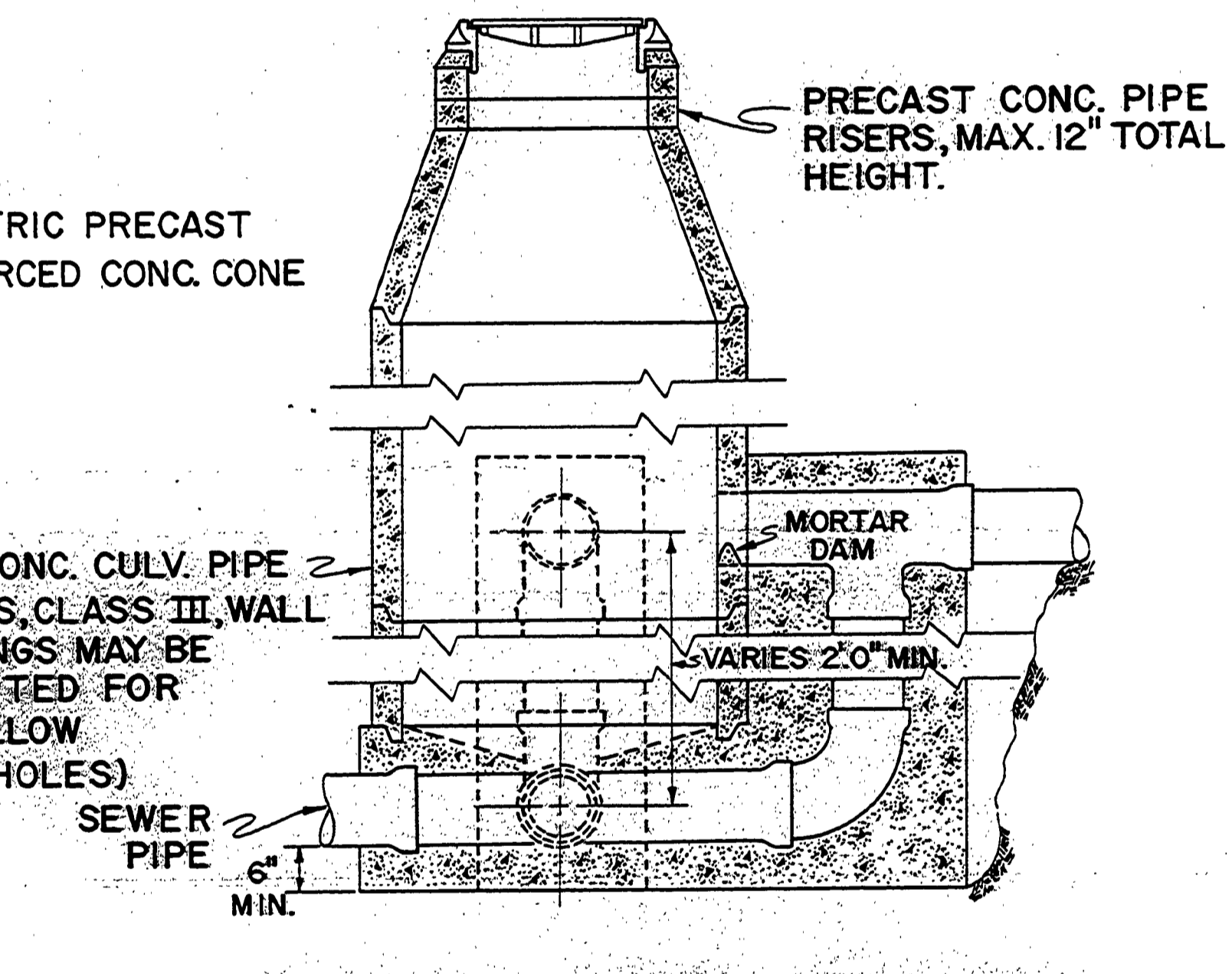
PROVIDE STD. RUBBER RING OR PLASTIC JOINT ON ALL CONC. CLAY OR A.C. PIPE WITHIN 1" OF OUTSIDE FACE OF MANHOLE WALL



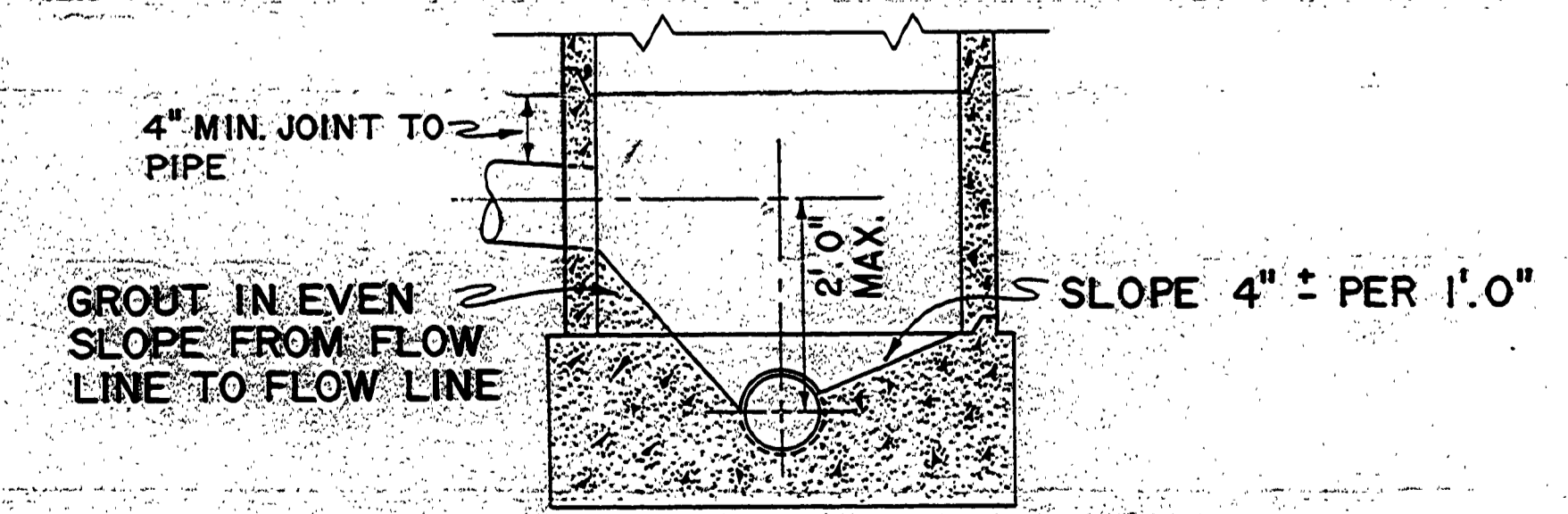
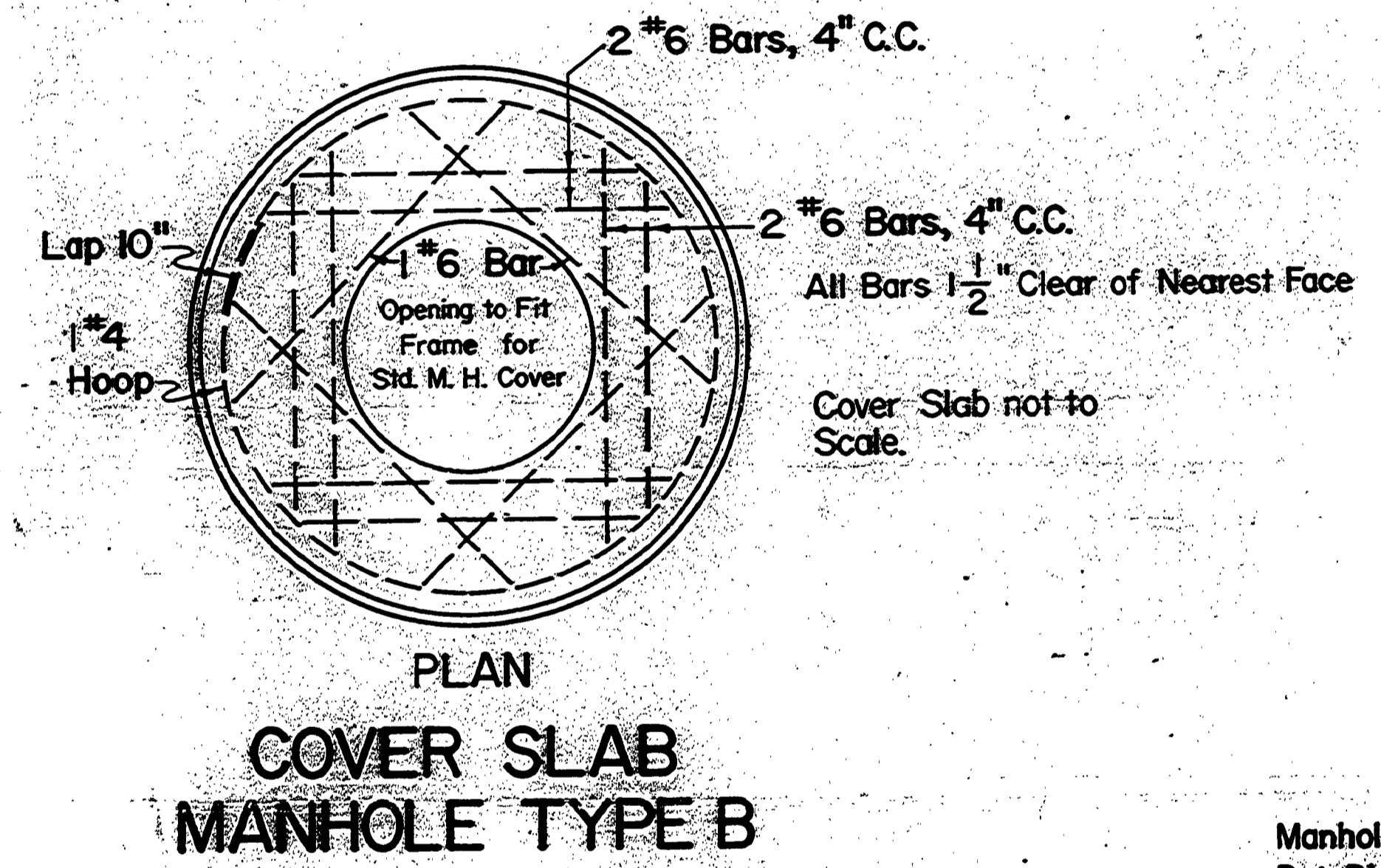
CLEANOUT DETAIL
NOT APPLICABLE



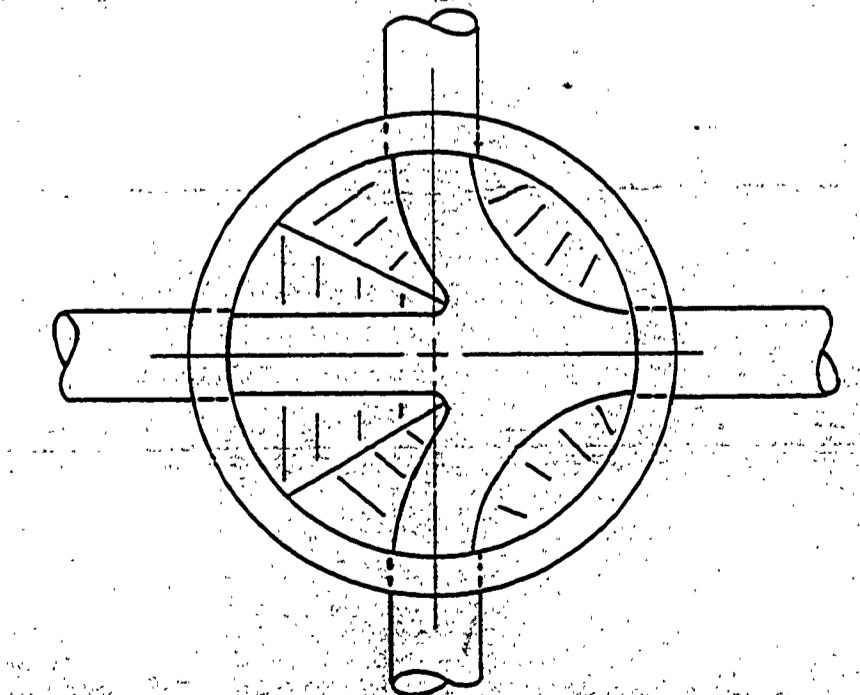
MANHOLE TYPE A



TYPICAL DROP MANHOLE
FOR SANITARY SEWER USE ONLY
NOT APPLICABLE

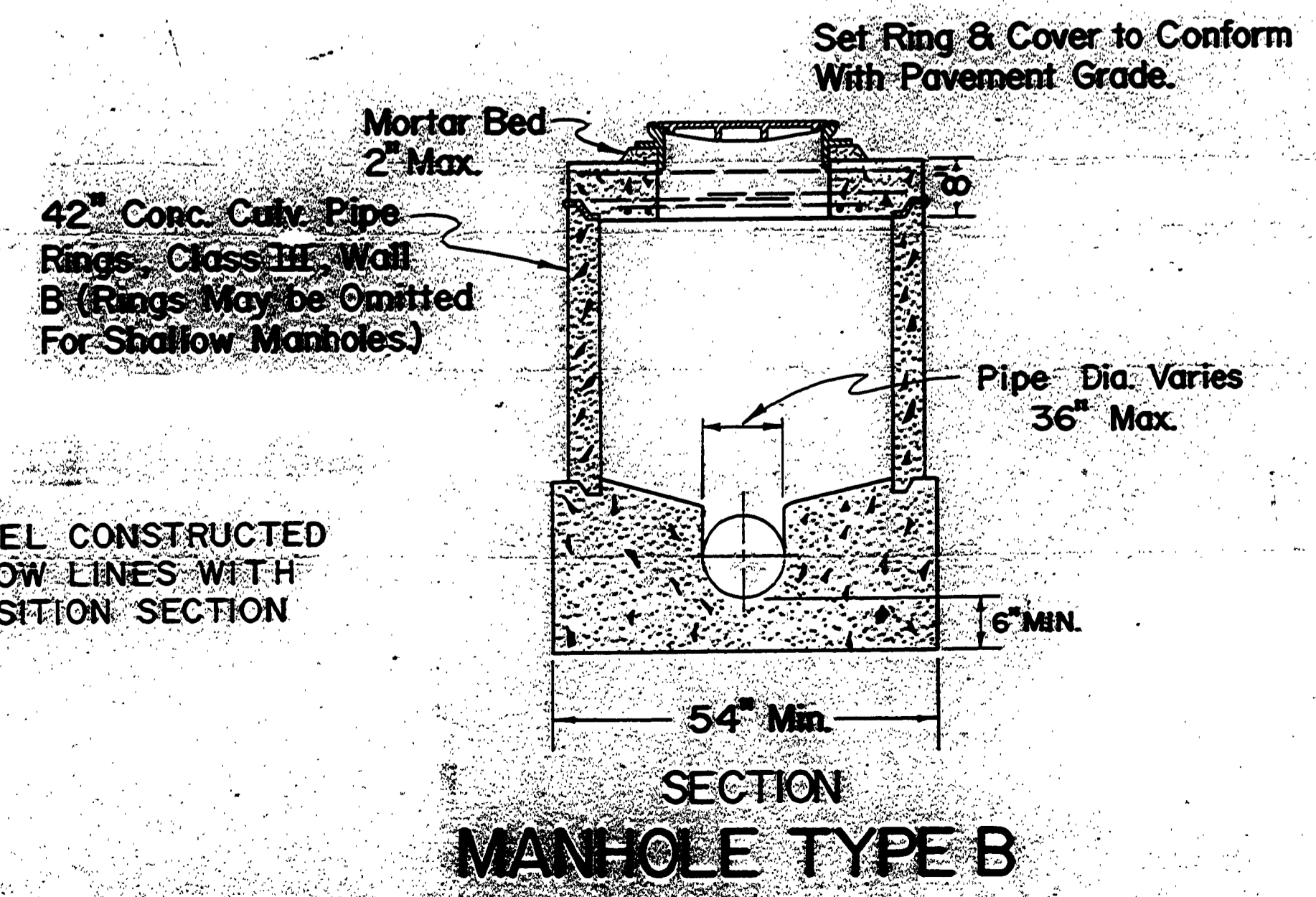


TYPICAL MANHOLE HAVING FALL LESS THAN 2' 0"



GENERAL PLAN OF CHANNEL INTERSECTION

INVERT CHANNEL CONSTRUCTED TO UNIFORM FLOW LINES WITH GRADUAL TRANSITION SECTION



Manhole Type "A-48" Per Type "A" Details But Dimensioned to Accomodate Pipe Diameter Specified.
Manhole Type "B-48" Per Type "B" Details But Dimensioned to Accomodate Pipe Diameter Specified.
EXAMPLE: Type "A-54" is a Type "A" Manhole of Such Dimensions to Accomodate A 54" Diameter Pipe.



AS BUILT-6/13/78 S.B.G.
DOUGLAS COUNTY
PUBLIC WORKS DEPARTMENT
RANCH ROAD & FERN ACRES SEE 1976 SHEET 14
GEORGE E. GRUBB, DIRECTOR