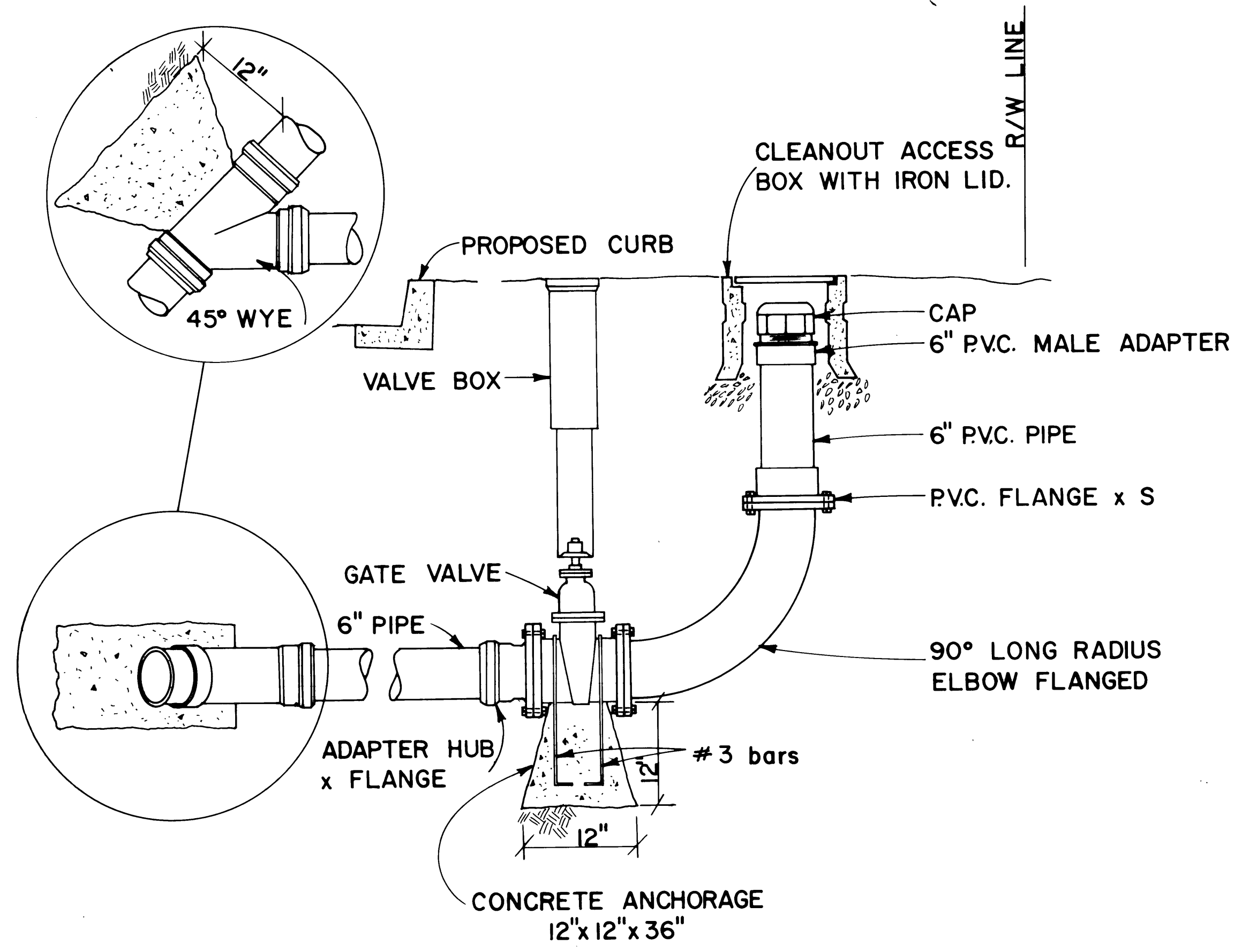
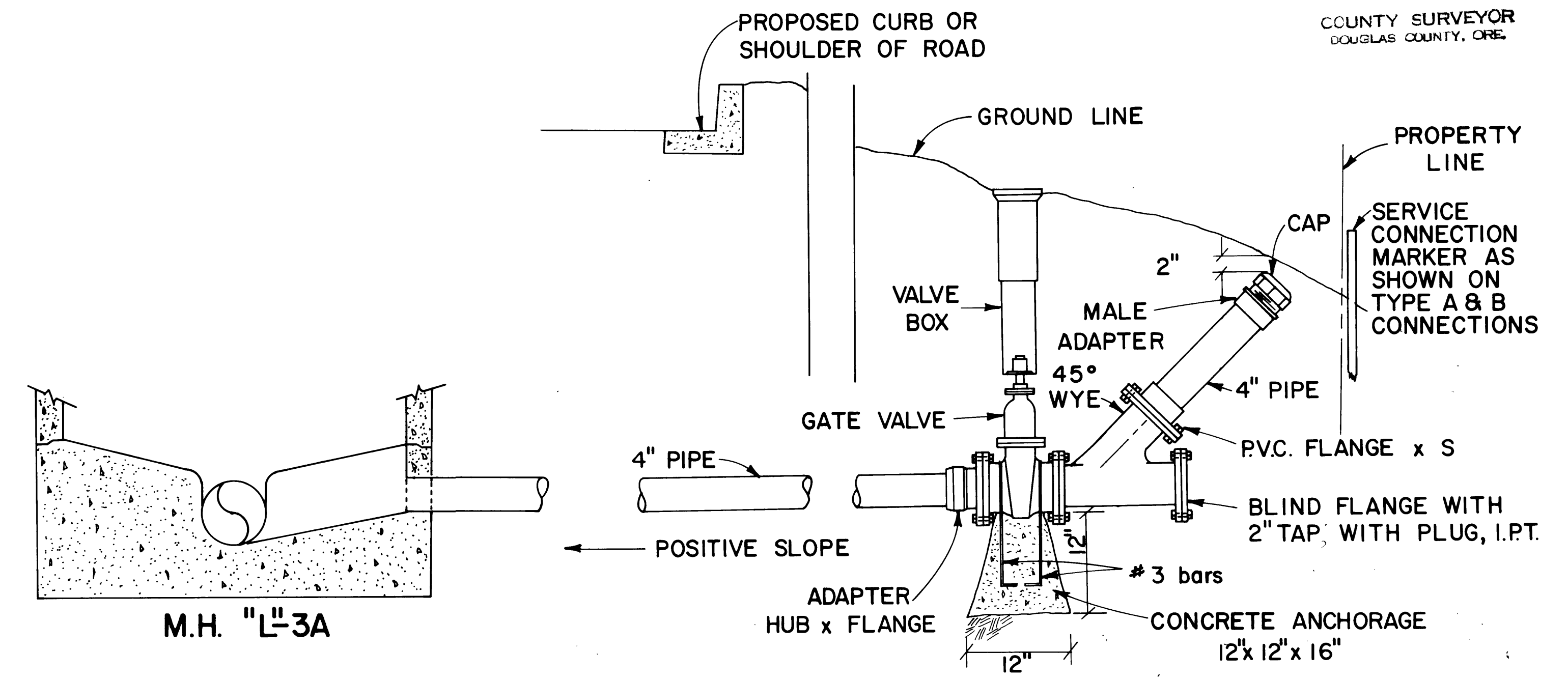


FILED
RECEIVED
JUN 26 1978
COUNTY SURVEYOR
DOUGLAS COUNTY, ORE.



PRESSURE MAIN CLEANOUT



BITTERSWEET COURT PRESSURE LATERAL



AS BUILT - 6/13/78 S.B.G	
SURVEYED	DOUGLAS COUNTY
DESIGNED	PUBLIC WORKS DEPARTMENT
DRAFTED	RANCH ROAD & FERN ACRES SUB.
REVIEWED	1976 SHT. 13
BOOK	GEORGE E. GRUBB, DIRECTOR