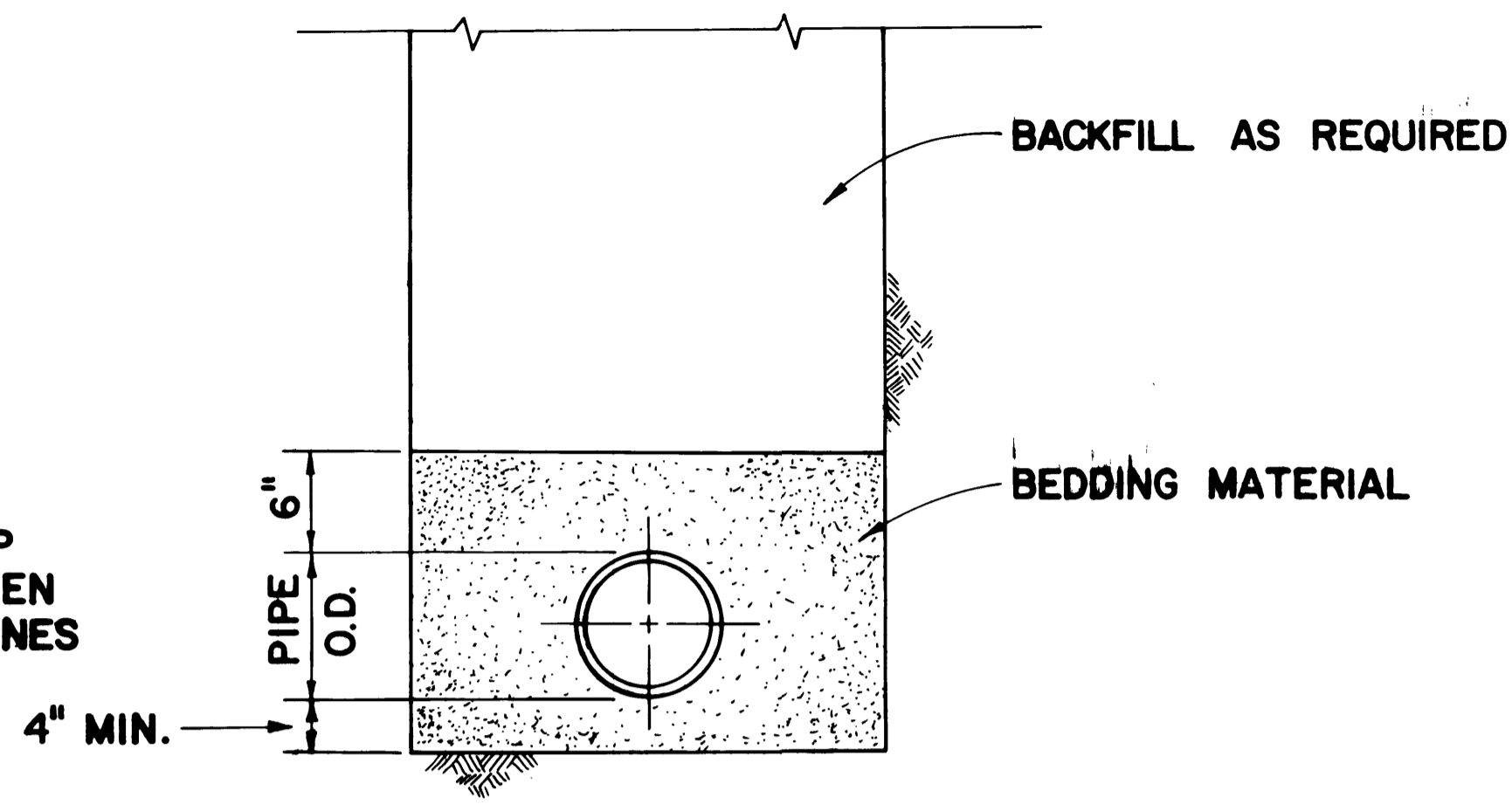
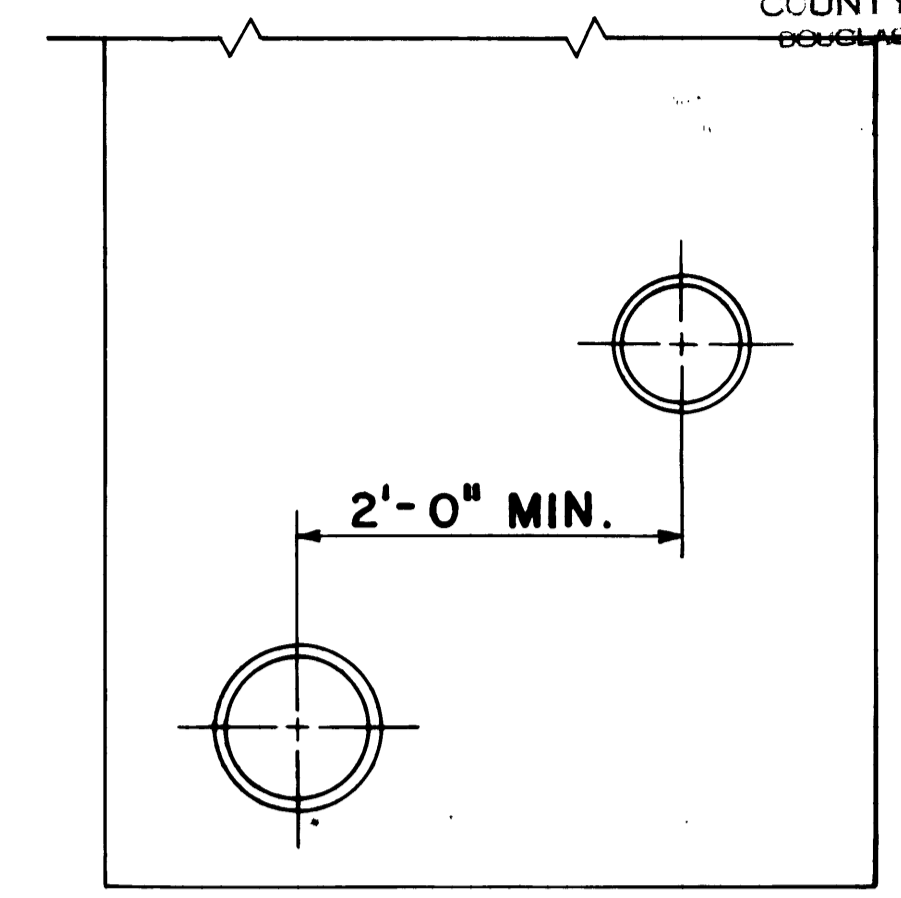


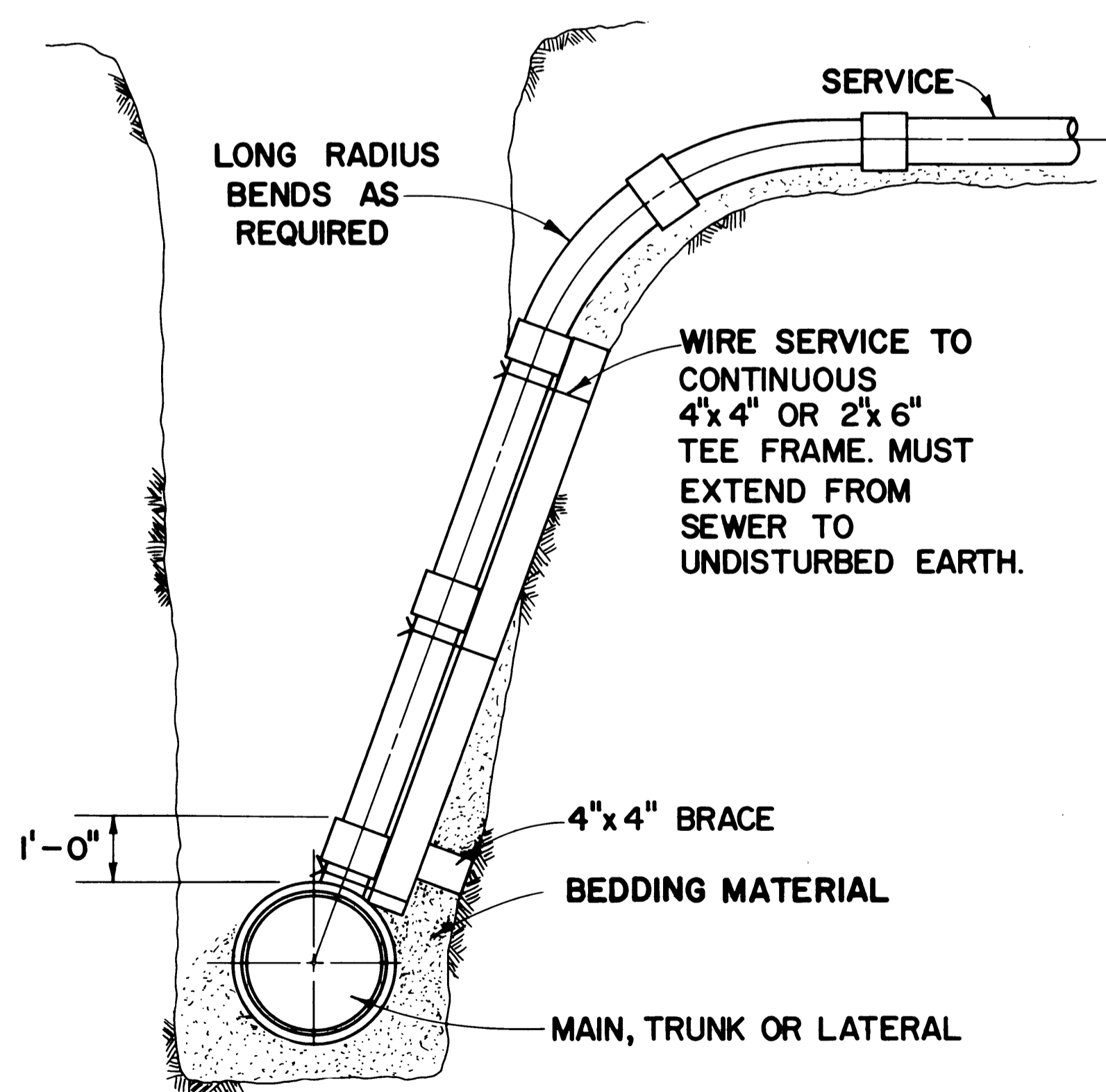
SECTION
SERVICE CONNECTION
TYPE "A"



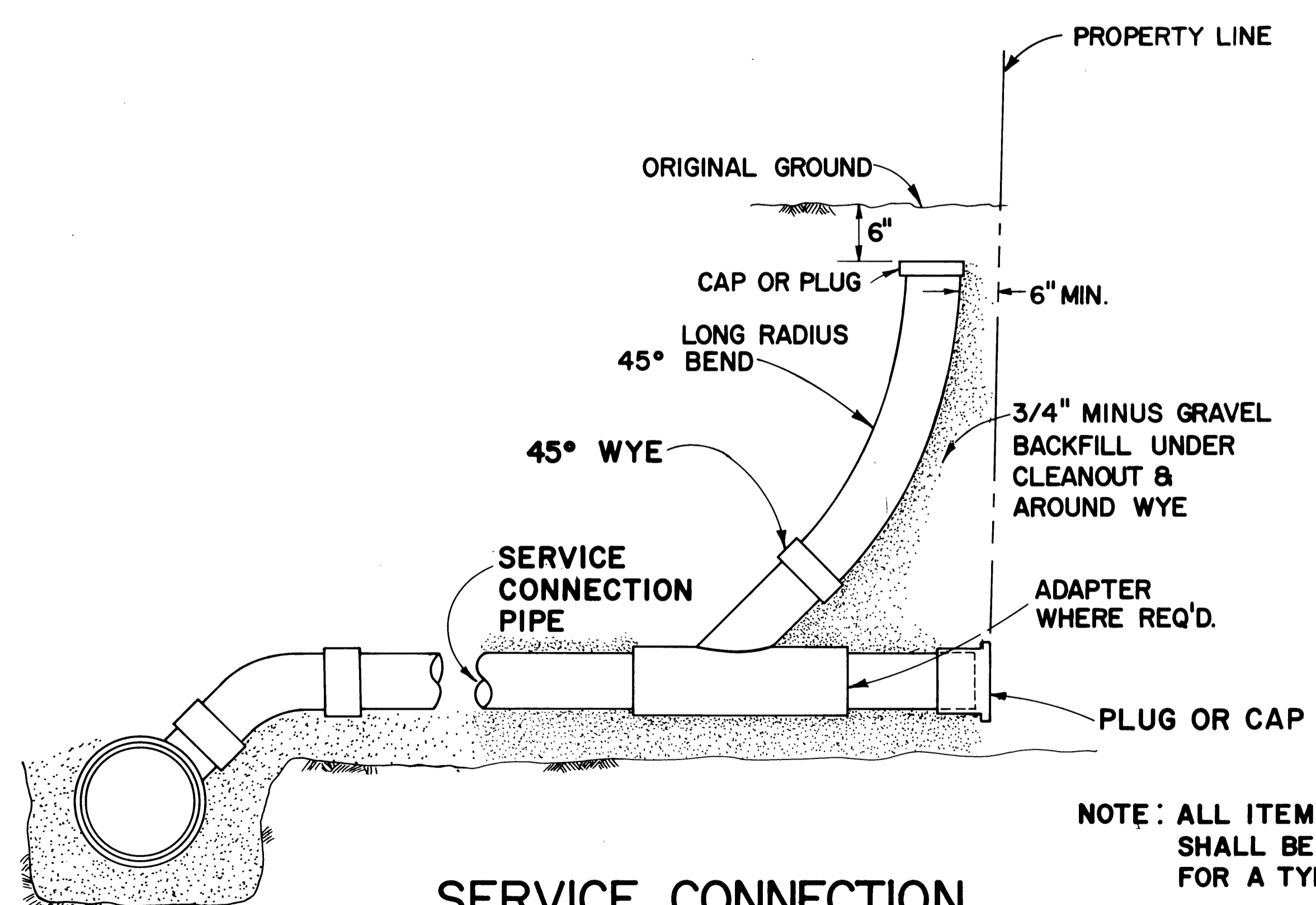
PIPE ZONE BACKFILL



SEPARATION BETWEEN
GRAVITY & PRESSURE
MAINS



DEEP TRENCH SERVICE CONNECTION
NOTE: WOOD SUPPORT TO BE USED IN ALL CASES WHERE SERVICE CONNECTION CAN NOT BE SUPPORTED FOR FULL LENGTH ON BEDDING OR WHERE SEWER IS OVER 12' DEEP TO FLOW LINE.



SERVICE CONNECTION
TYPE "B"

NOTE: ALL ITEMS NOT SHOWN SHALL BE AS SPECIFIED FOR A TYPE "A" CONNECTION



AS BUILT- 6/13/78 S.B.G
DOUGLAS COUNTY
PUBLIC WORKS DEPARTMENT
RANCH ROAD & FERN ACRES SUB.
1976 SHT. 12
GEORGE E. GRUBB, DIRECTOR