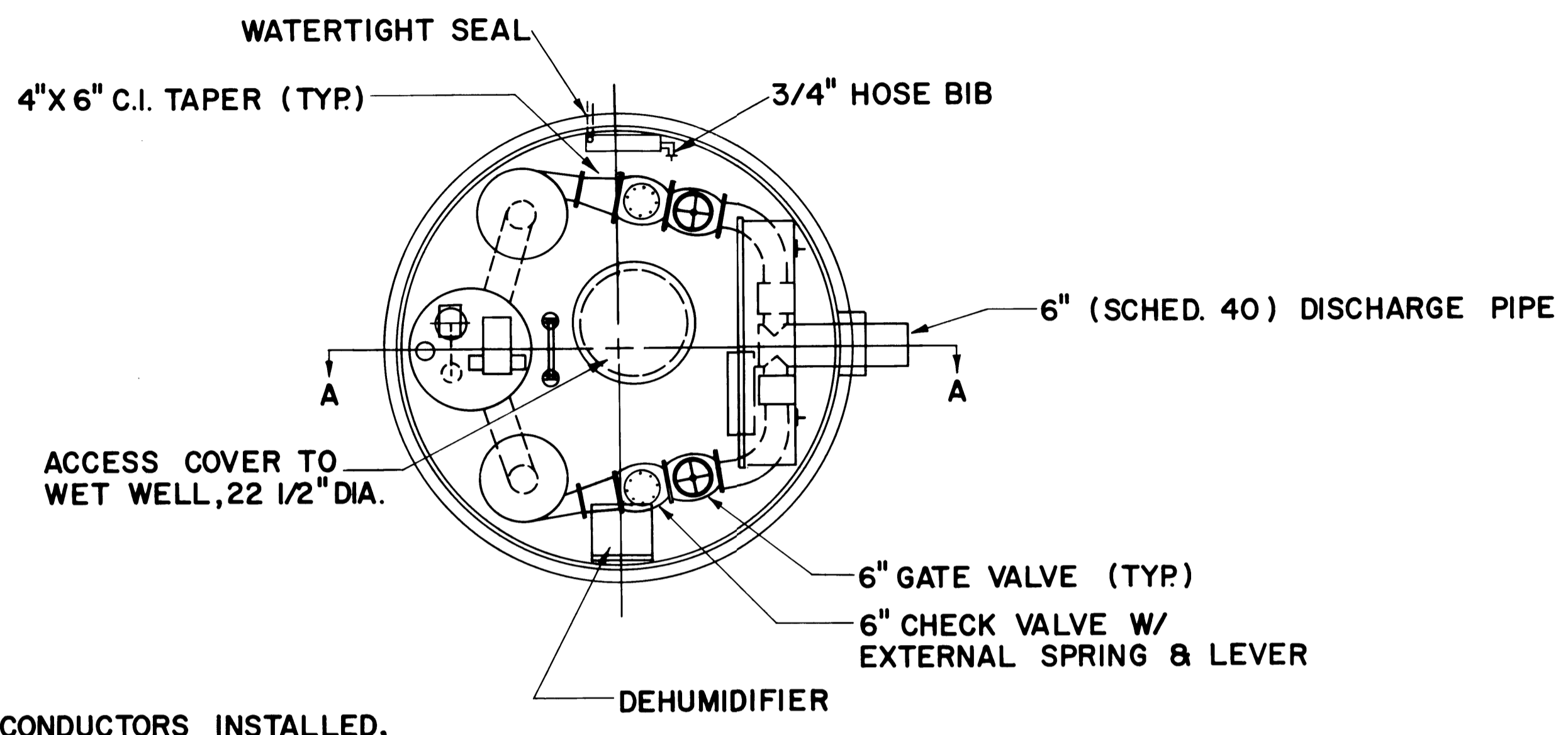


**PUMP STATION SECTION A-A**



**PUMP STATION PLAN VIEW**

ANODE W/12 CONDUCTORS INSTALLED, LOCATION TO BE RECORDED & RECORDS FURNISHED TO ENGINEER

POUR SEAL GROUT AFTER STATION INSTALLED W/ SUFFICIENT ANCHOR RODS TO PREVENT FLOATATION



AS BUILT - 6/13/78 S.B.G  
 DOUGLAS COUNTY  
 PUBLIC WORKS DEPARTMENT  
 FERN ACRES SUBDIVISION  
 1976 SHT. 11  
 GEORGE E. GRUBB, DIRECTOR