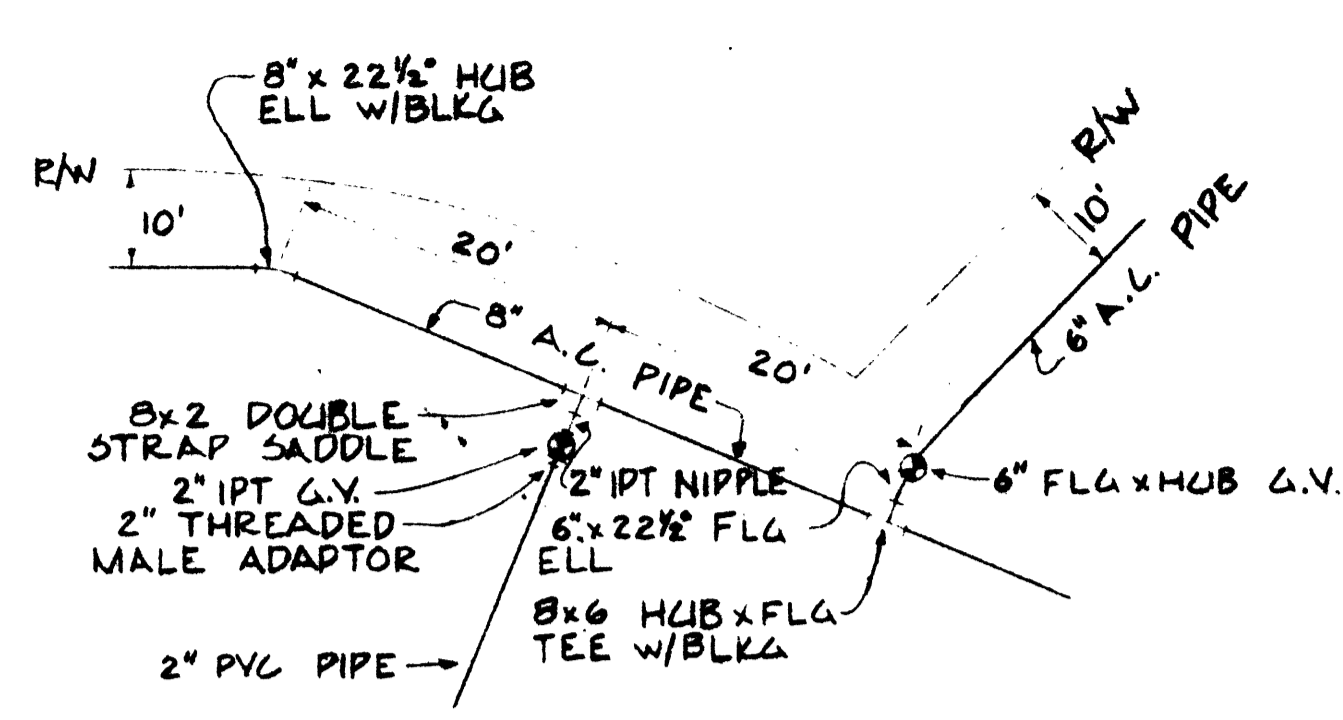
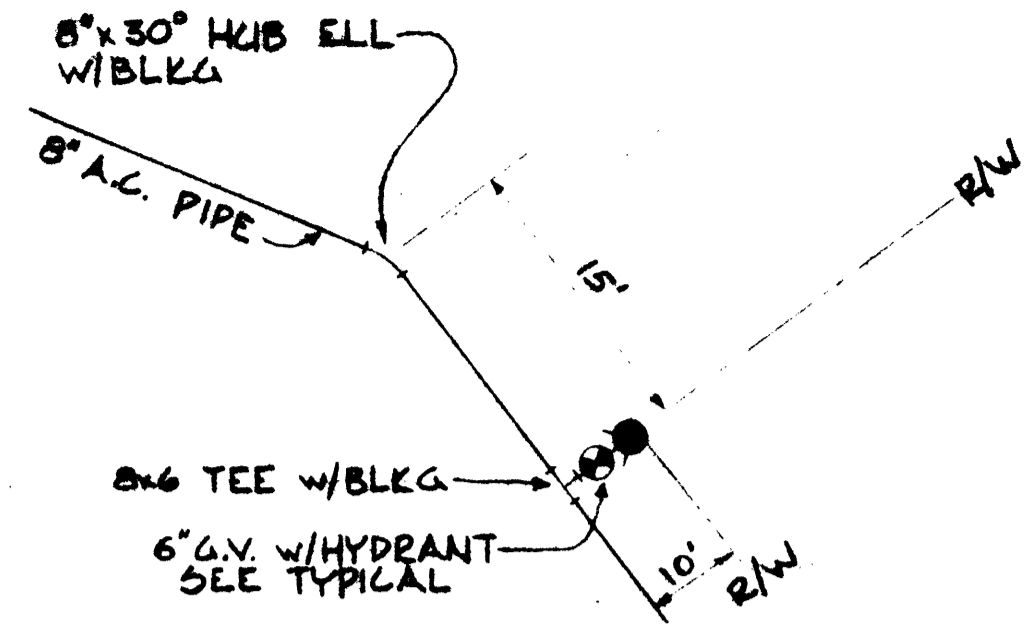


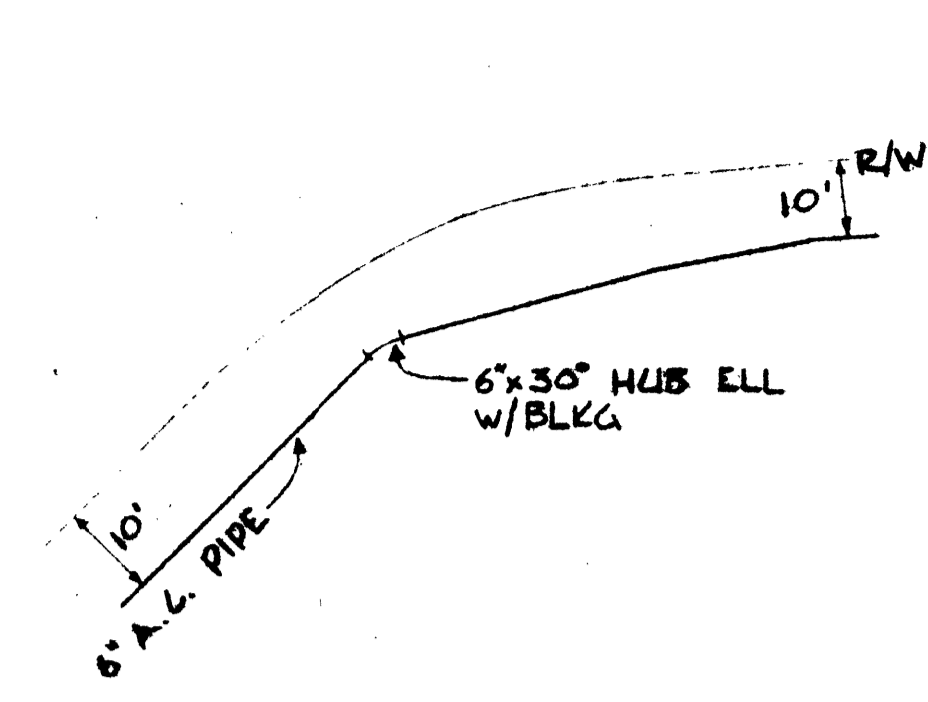
1 EVERGREEN DRIVE  
4 CORNER



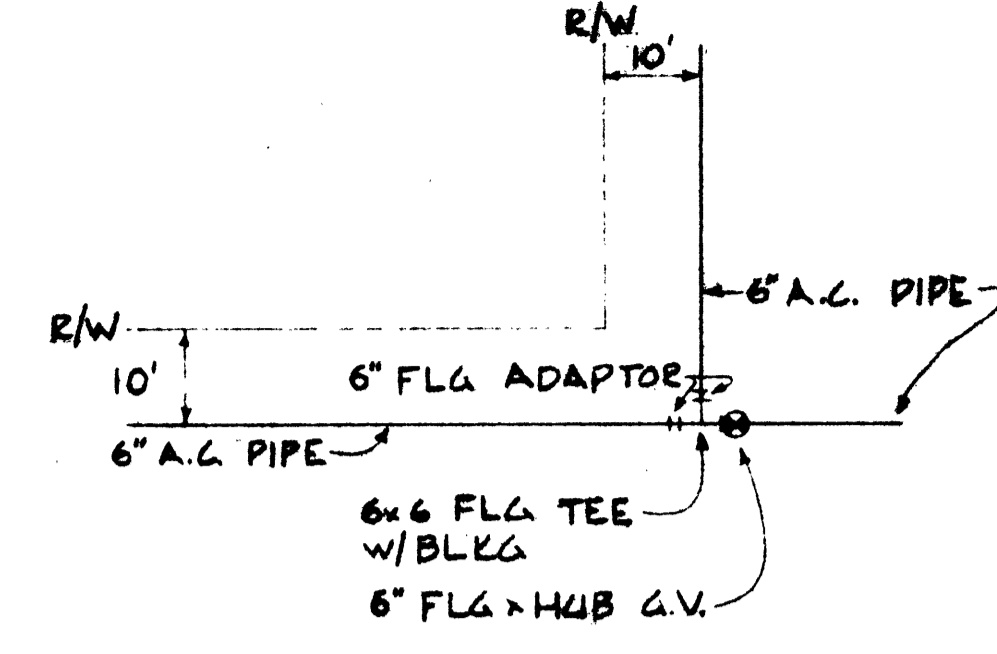
2 INTER. RANCH RD.  
4 FERN PL.



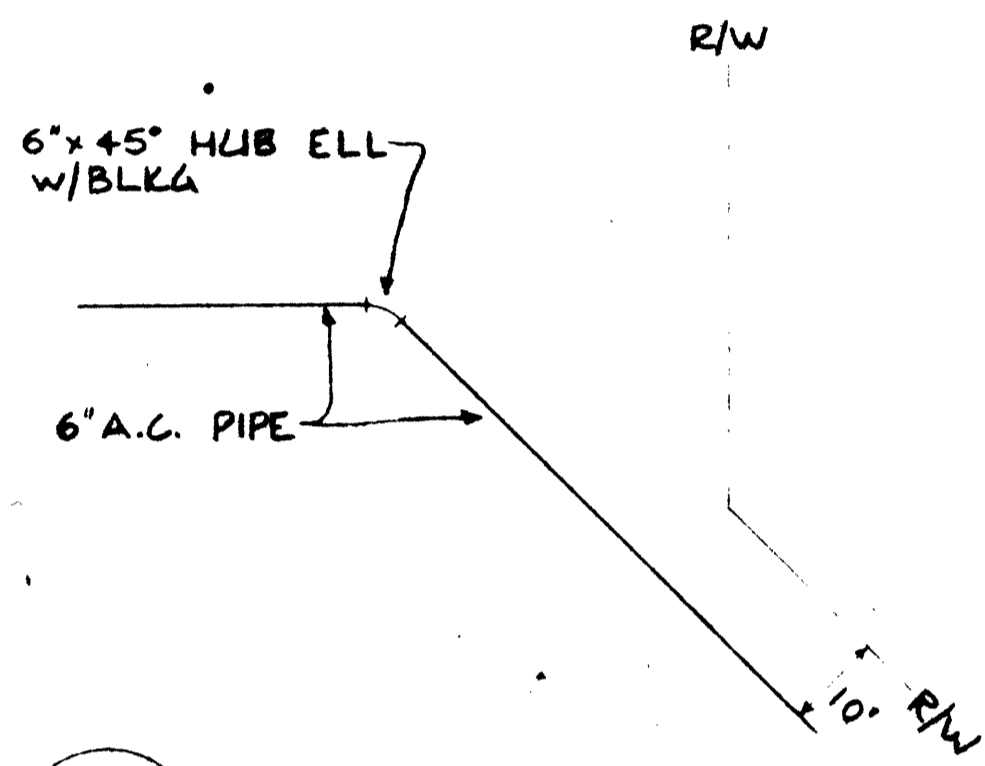
3 INTER. RANCH RD.  
4 FERN PL.



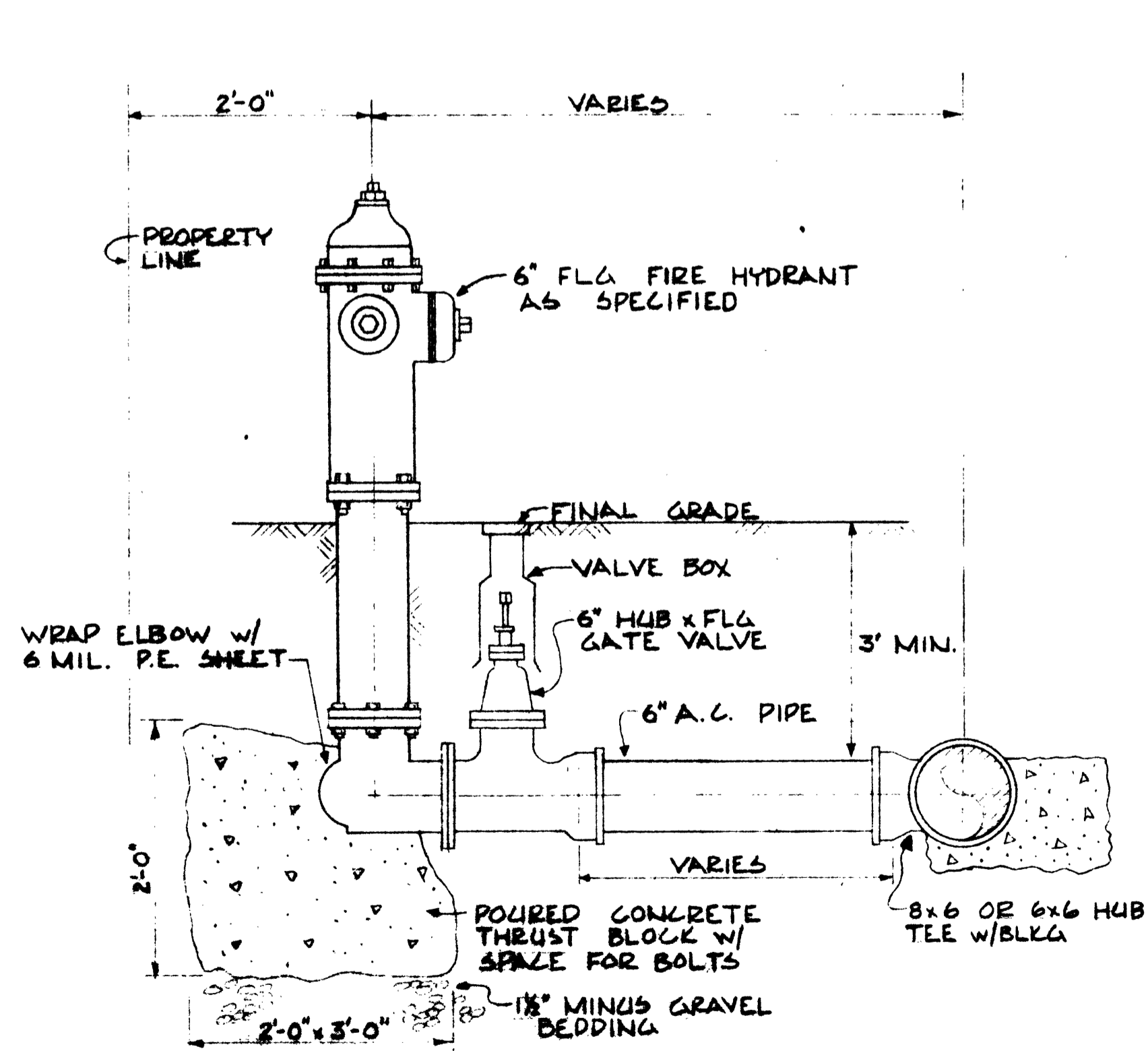
4 EVERGREEN DRIVE  
4 CORNER



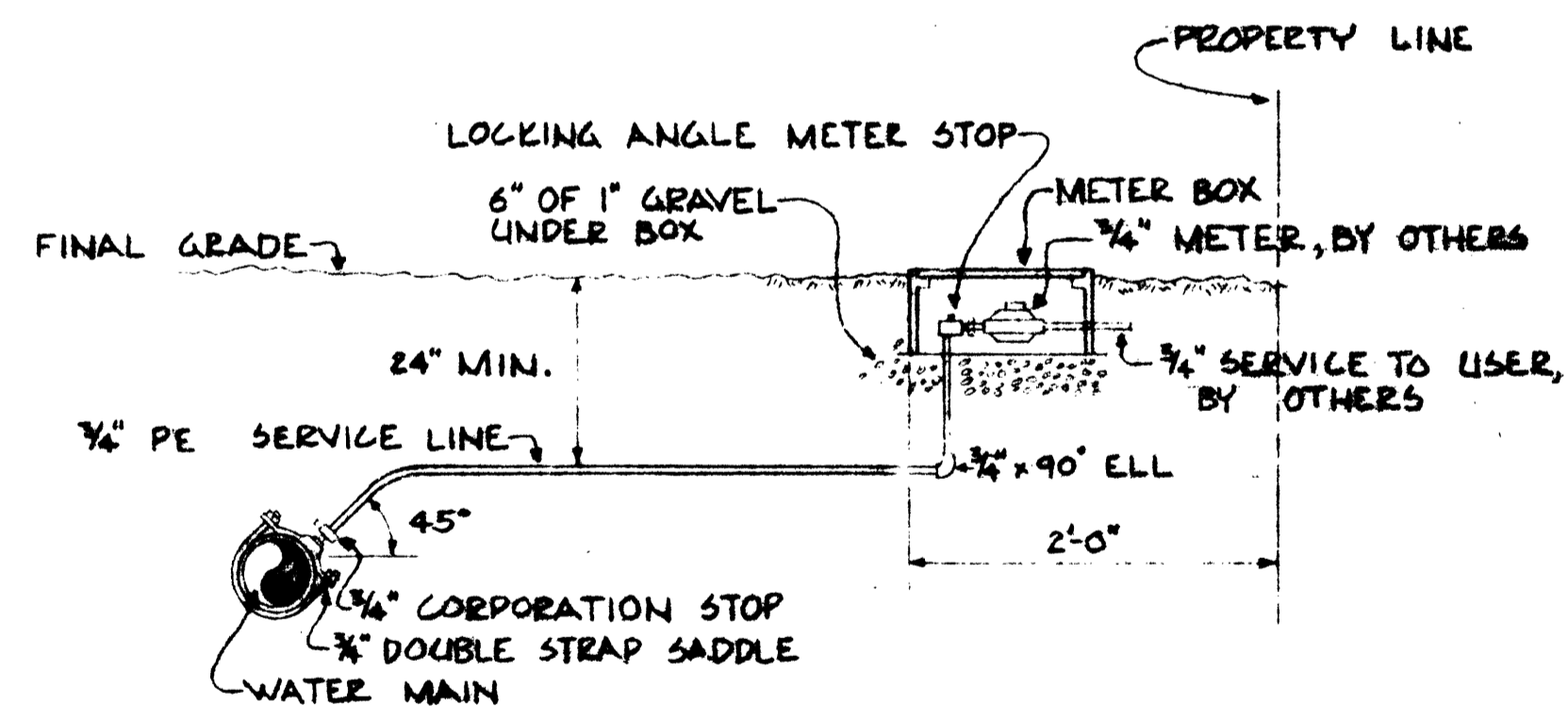
5 INTER. EVERGREEN DR.  
4 GREENBRIAR CT.



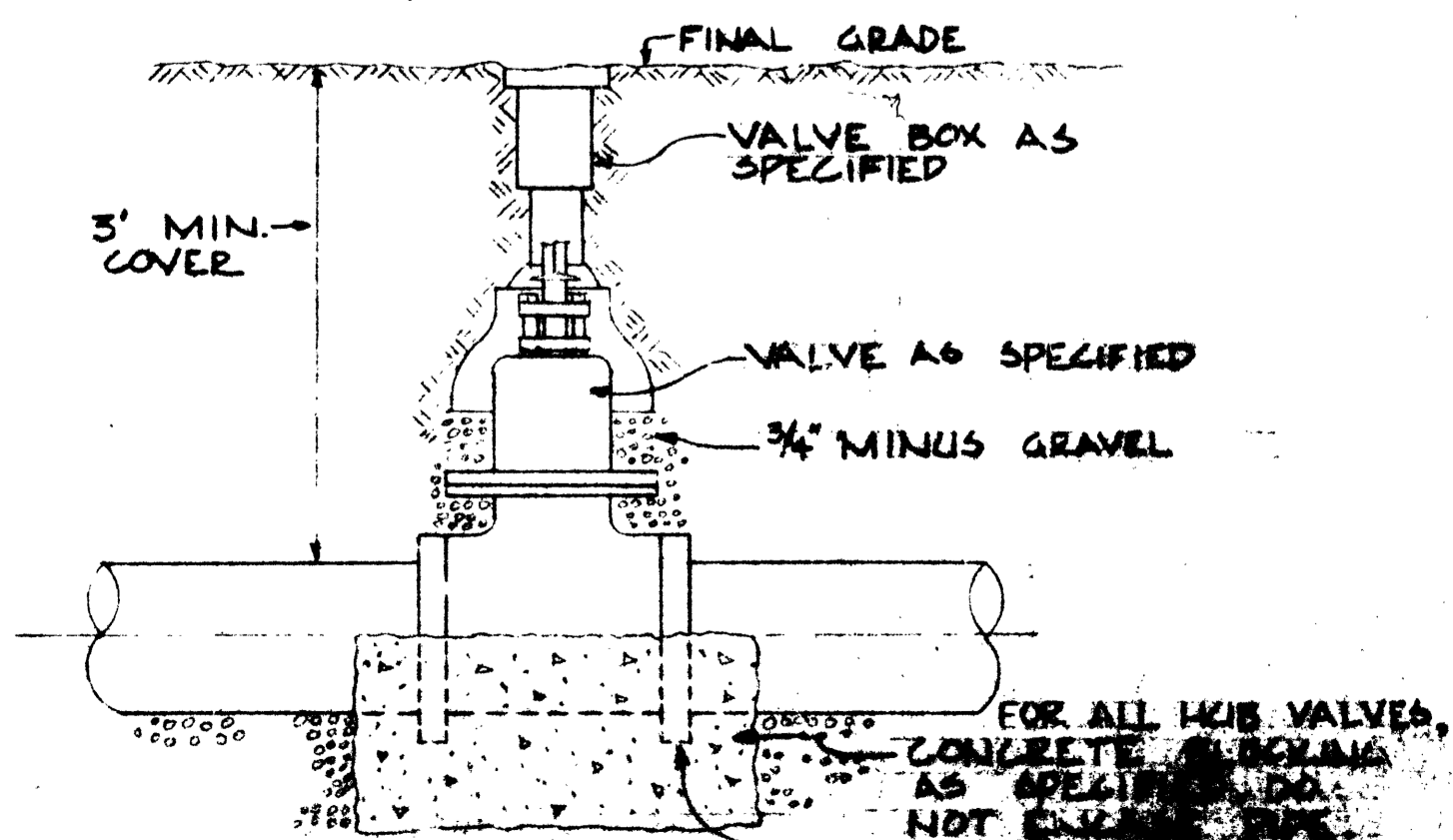
6 GREENBRIAR COURT  
4 CORNER



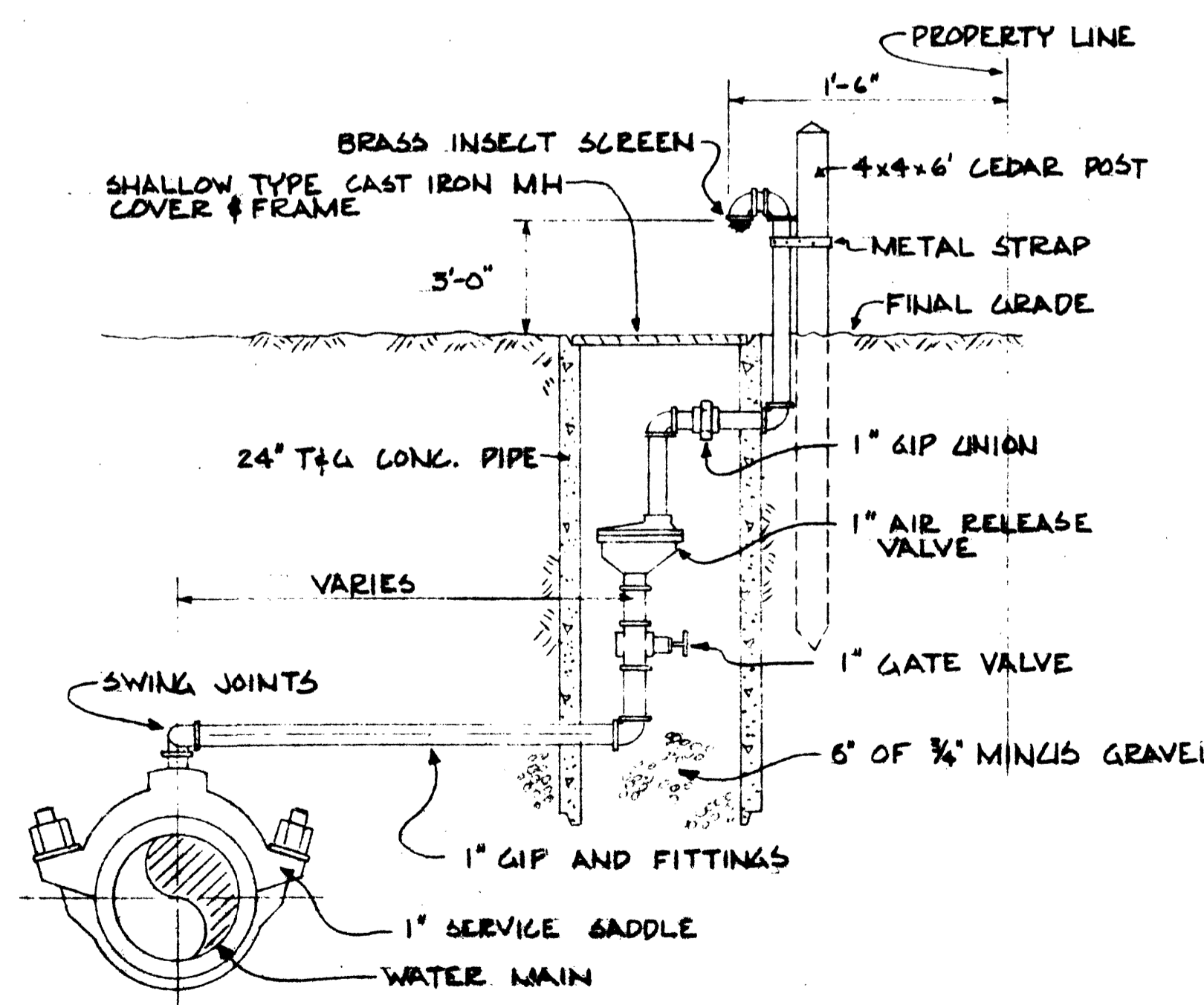
7 TYPICAL FIRE HYDRANT



9 TYPICAL HOUSE SERVICE



8 TYPICAL VALVE AND VALVE BOX



10 TYPICAL AIR RELEASE VALVE

NOTE: DETAIL NOT TO SCALE

*Signature*