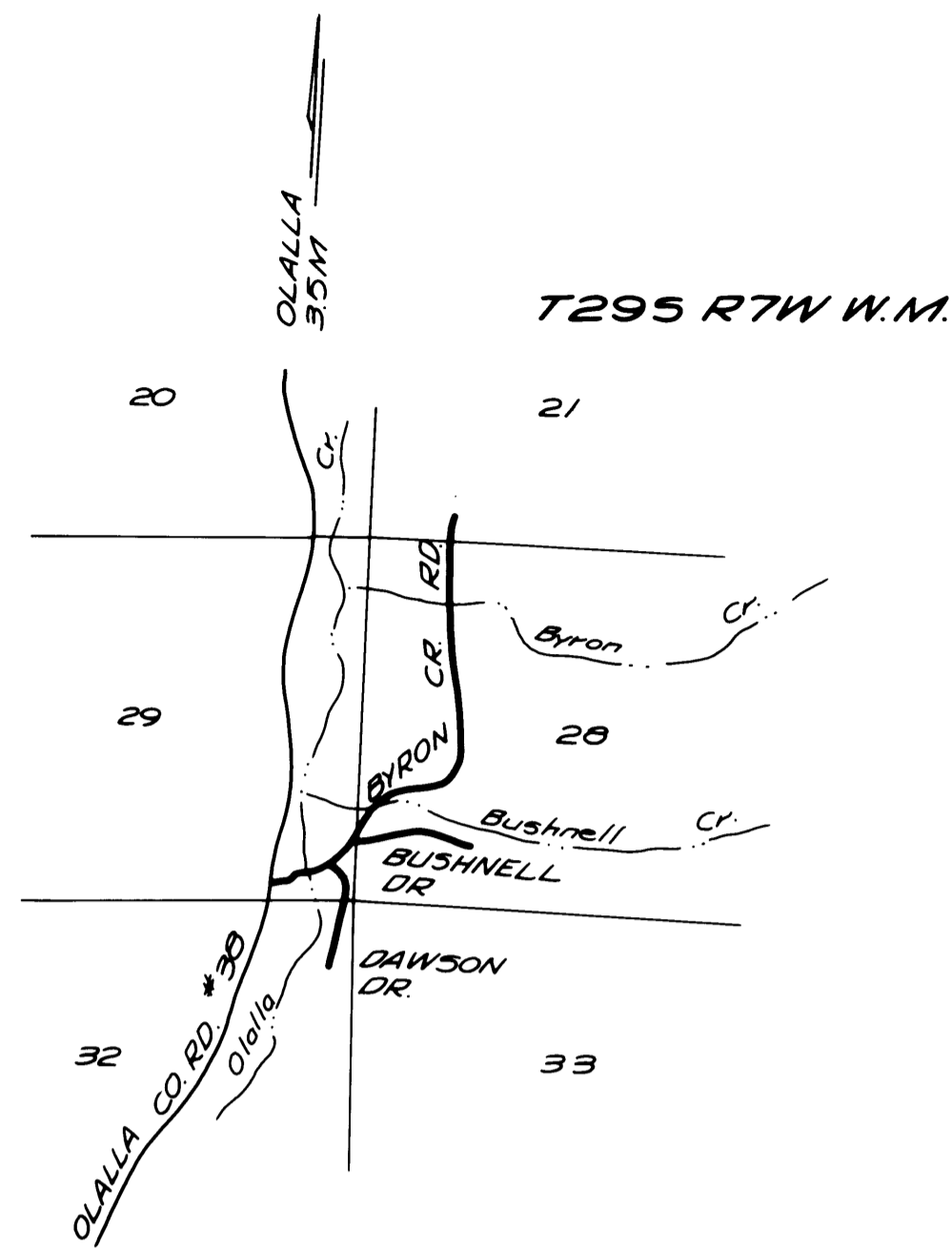
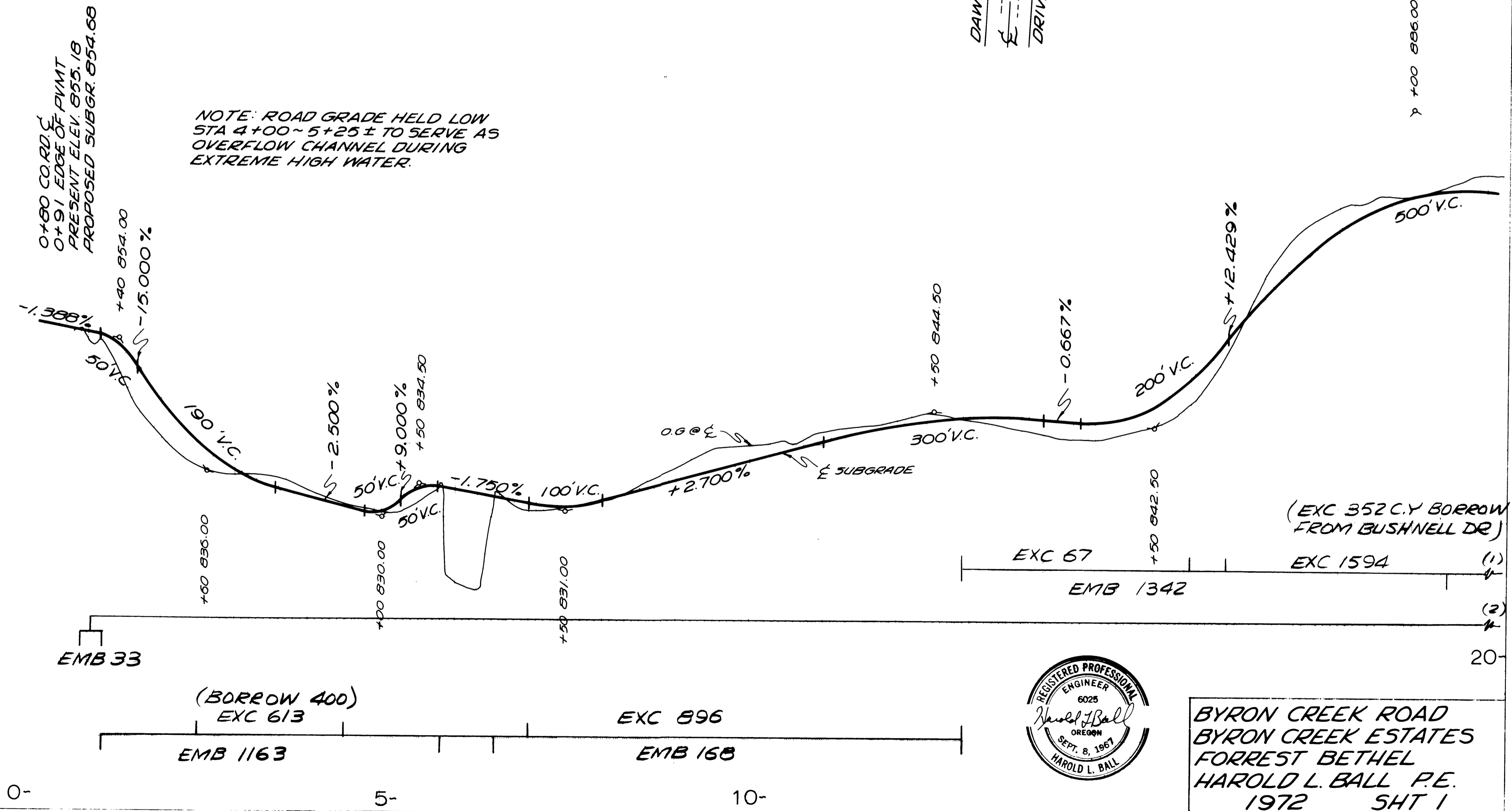
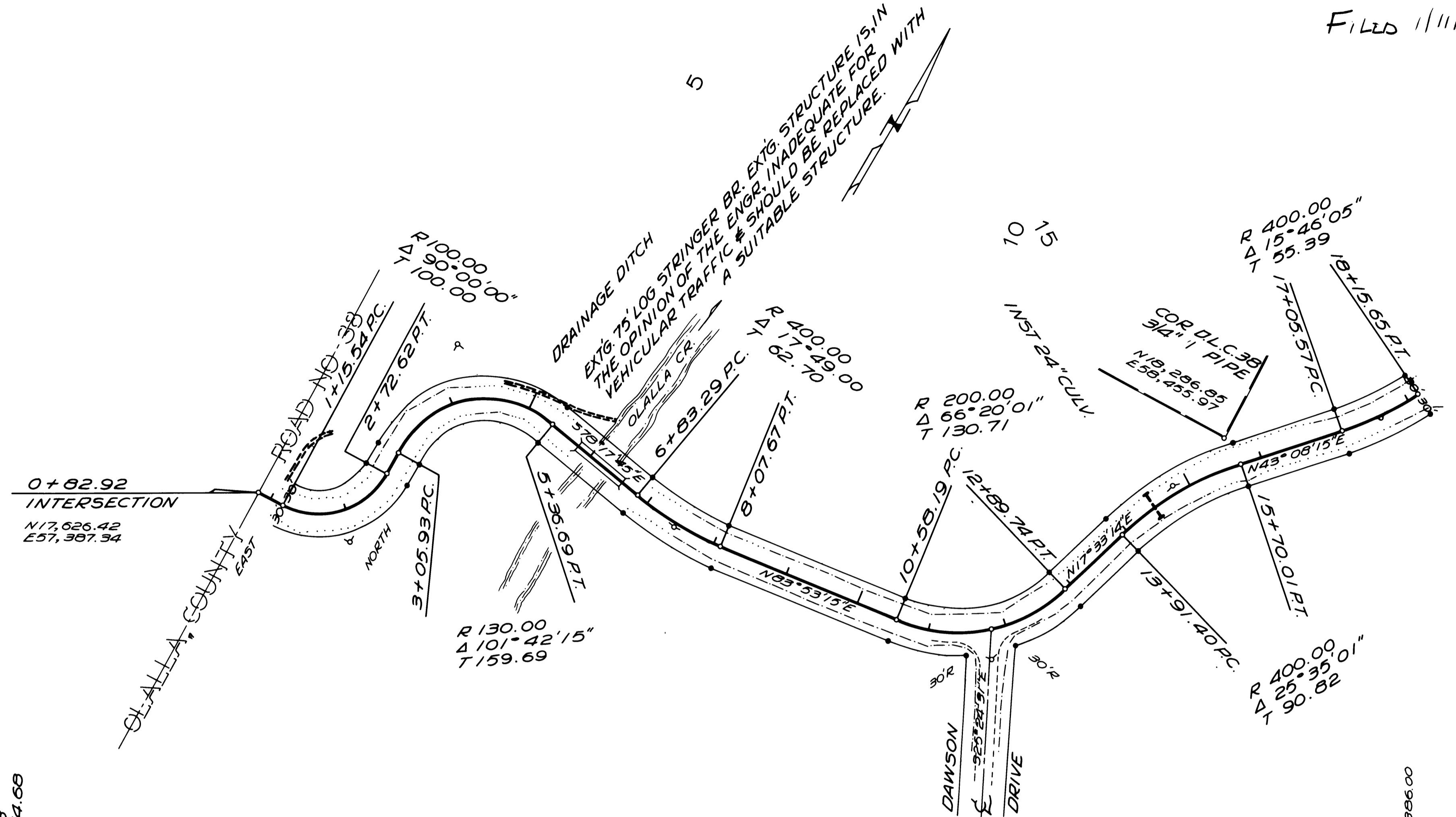
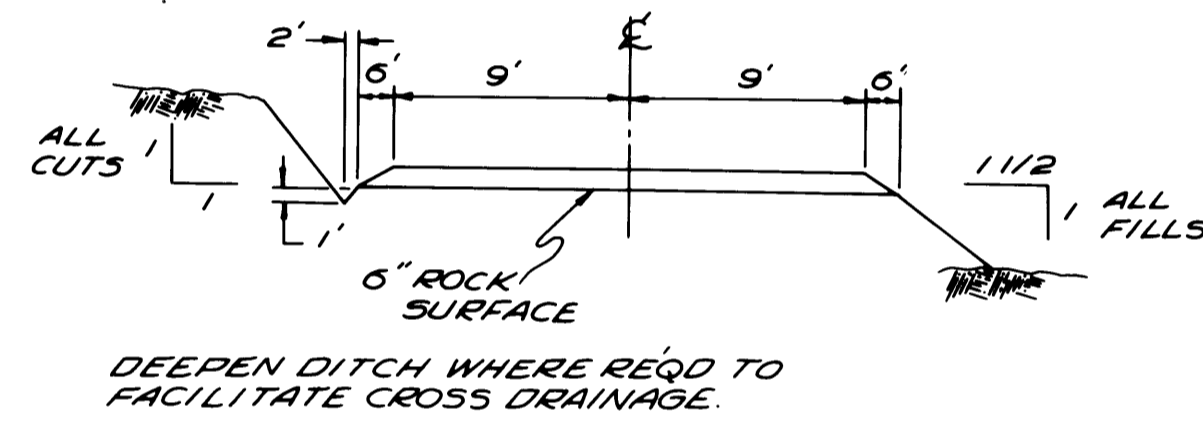


DATE	
BY	
SURVEYED	
PLANNED	
NOTE BOOK	
NO.	

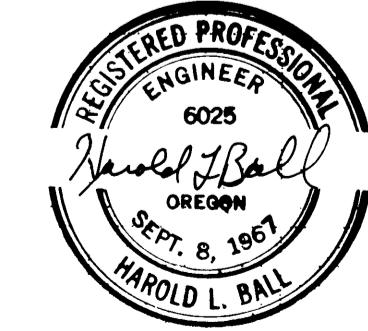
DATE	
BY	
SURVEYED	
PLANNED	
NOTE BOOK	
NO.	



- SET 5/8" IRON ROD
- NOTE:**
1. PRIOR TO CONST CONTACT DOUGLAS COUNTY ROAD DEPT FOR SPECIFICATIONS & TO SCHEDULE INSPECTIONS.
 2. CULV LENGTHS TO BE DETERMINED BY CONST SURVEY ON ALL DRAINAGES, CONST INLET & OUTLET DITCHES AS REQD.
 3. CULVERTS MAY BE CLASS III CONC OR ASPH COATED GALV STL. CULV 36" OR OVER SHALL HAVE STEP BEVEL ENDS.
 4. DRAINAGE STRUCTURES OTHER THAN MINOR CULVERTS SHALL BE DESIGNED BY A REGISTERED CIVIL ENGINEER.



REGISTERED PROFESSIONAL ENGINEER
 Victor M. McNeil



BYRON CREEK ROAD
 BYRON CREEK ESTATES
 FOREST BETHEL
 HAROLD L. BALL, P.E.
 1972 SHT 1