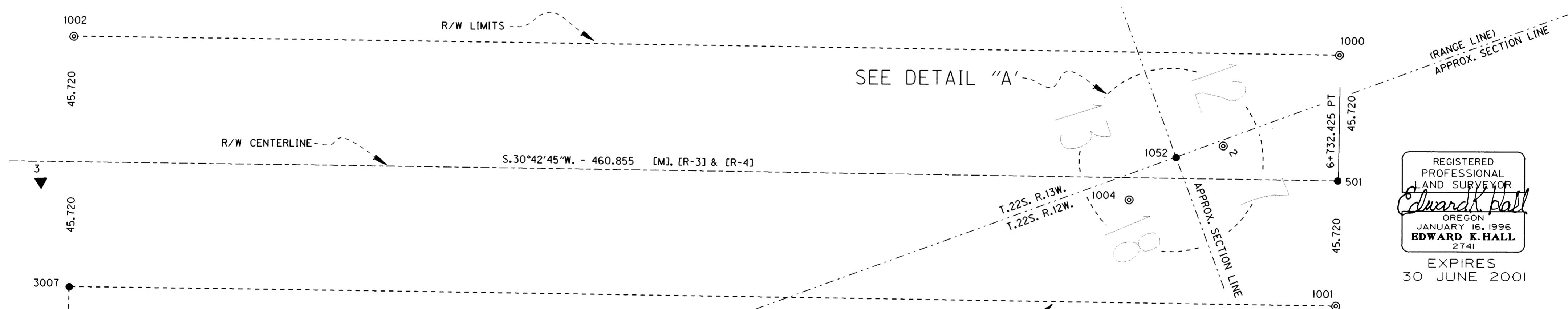
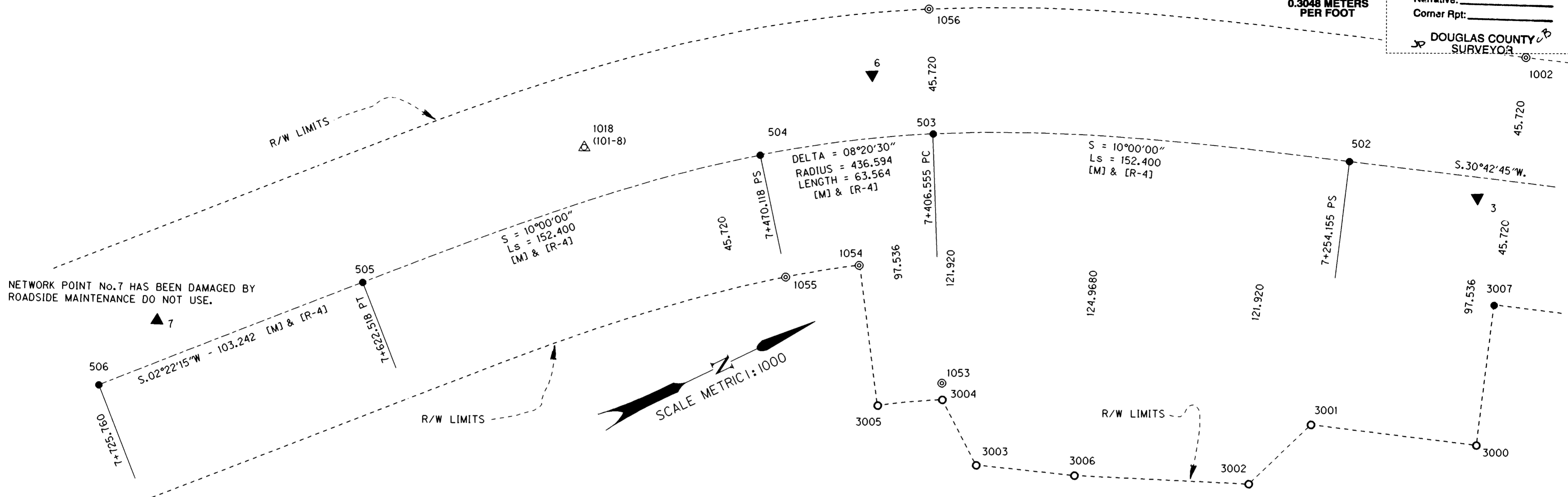


A PORTION OF THE EAST HALF OF SECTION 13  
T.22 S., R.13 W. W.M. DOUGLAS COUNTY, OR.

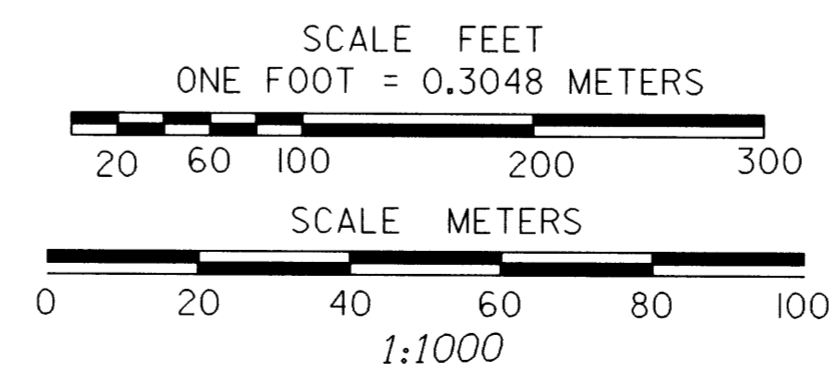
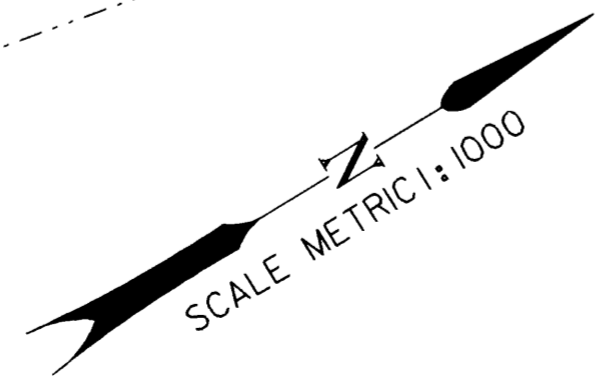
COUNTY SURVEYORS FILE DATA  
DO NOT REMOVE FROM OFFICE

**METRIC**  
0.3048 METERS  
PER FOOT

FILED  
Date: 11-8-1999 By: JP  
This survey consists of: 3 SHEETS  
Map: M133-47C  
Narrative: \_\_\_\_\_  
Corner Rpt: \_\_\_\_\_  
DOUGLAS COUNTY SURVEYOR



- LEGEND**
- [ C ] INDICATES COMPUTED DATA
  - [ R ] INDICATES RECORD DATA
  - [ M ] MEASURED THIS SURVEY
  - [ ] EMBRACES RECORD DATA
  - COMPUTED POINT ONLY
  - ▲ SET CONTROL POINT
  - ⊙ FOUND MONUMENT NOTED IN LIST
  - SET R/W MONUMENT NOTED IN LIST
  - [R-1] CS M 128-75
  - [R-2] CS 58-152
  - [R-3] ODOT 7B-7-12
  - [R-4] ODOT 7B-7-13
  - △ DCSO CONTROL MONUMENT



**OREGON DEPARTMENT OF TRANSPORTATION**  
R/W MONUMENTATION AND CONTROL MAP  
**WINCHESTER HILL SLIDE REPAIR PROJECT**  
O.D.O.T. CREW 3811 COQUILLE  
307 HWY. 42E COQUILLE, OR. 97423  
O.D.O.T. KEY NO. 08936 1 OCT 1999 SHEET 3 OF 3

ST. HWY. 101-004C

MAP FILE M133-47C

MAP FILE M133-47C