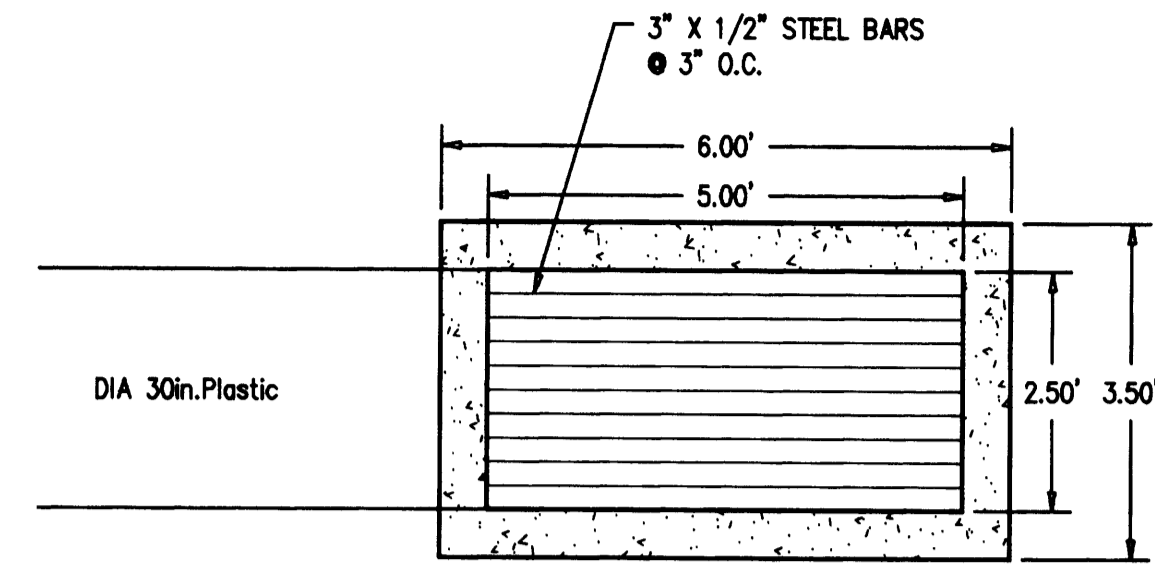
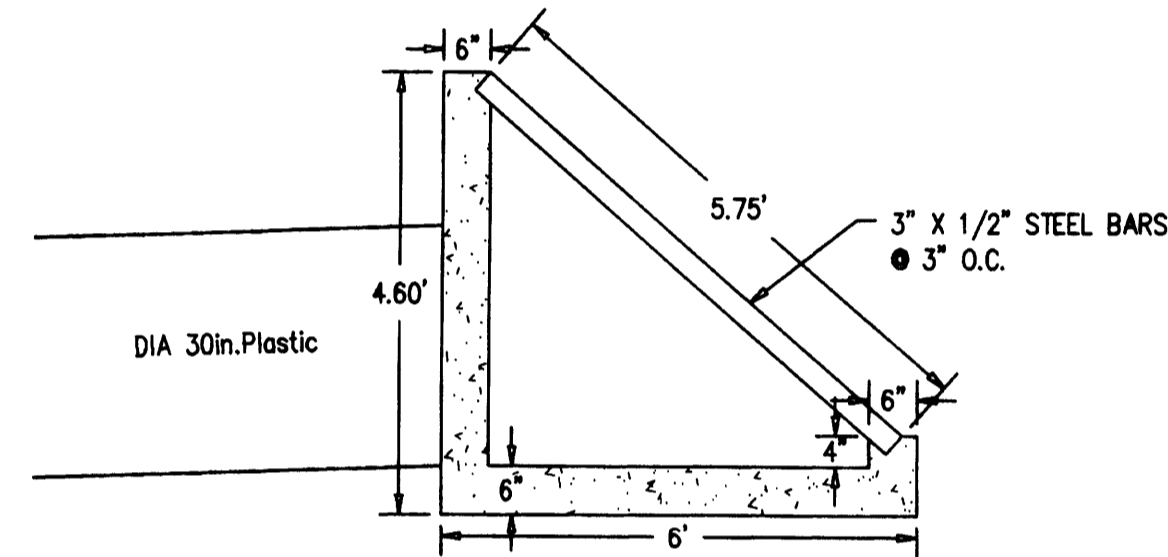


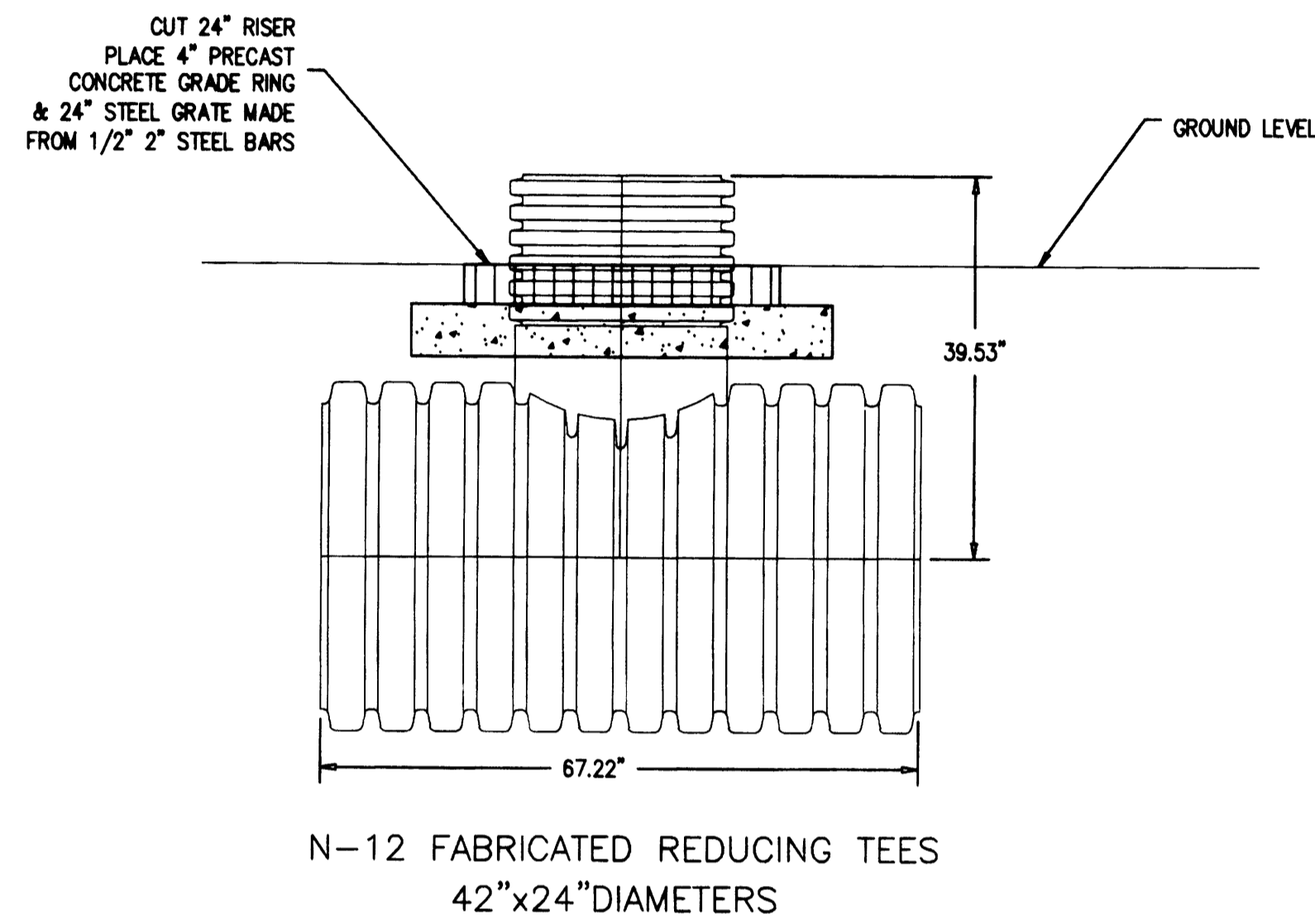
FILED
 Date: 12/27/2006 By: JP
 This survey consists of:
 Map: _____
 Narrative: _____
 Corner Rpt: _____
 DOUGLAS COUNTY
 SURVEYOR



1
 SD2 DITCH INLET PLAN
 1" = 2'



2
 SD2 DITCH INLET SECTION
 1" = 2'



3
 SD2 S.D. TEE / 24" MANHOLE
 N.T.S.

OWNER: STULL ENTERPRISES

BTS ENGINEERING & SURVEYING, INC.
 4135E MAIN ST., ROSBORO, OR 97470
 PHONE (503) 675-5996 FAX (503) 675-5915

PROJECT: GENTRY ESTATES

SHEET TITLE: STORM DRAIN MAINLINE DETAILS

DATE: AUGUST 10, 2005
 REV. #1: SEPT. 1, 2005
 REV. #2: SEPT. 2, 2005
 REV. #3: -
 REV. #4: -
 REV. #5: -



PROJ. #05-036
 SHEET NO.

SD2 of 2

AS-BUILT PLANS - 3/8/06