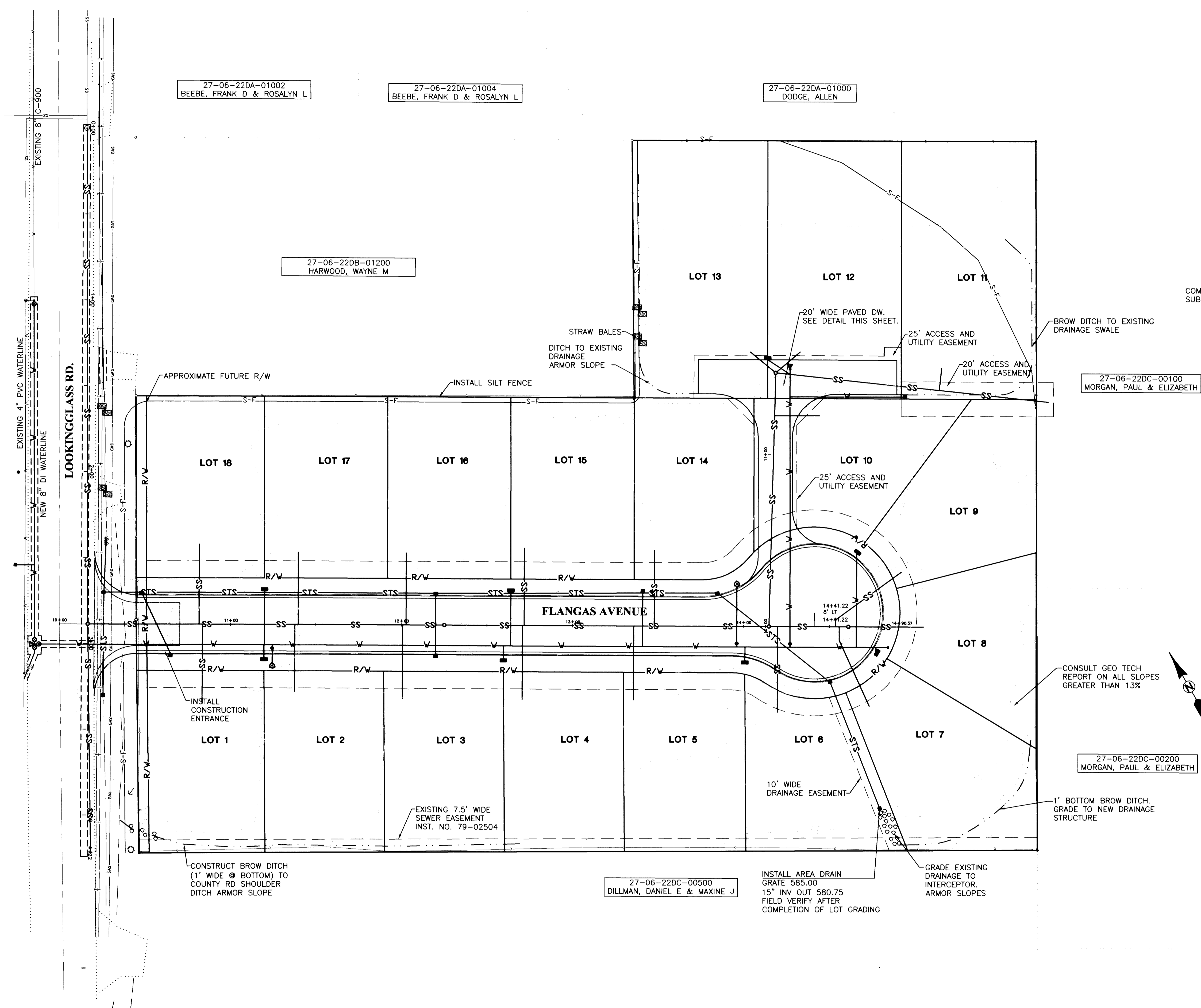
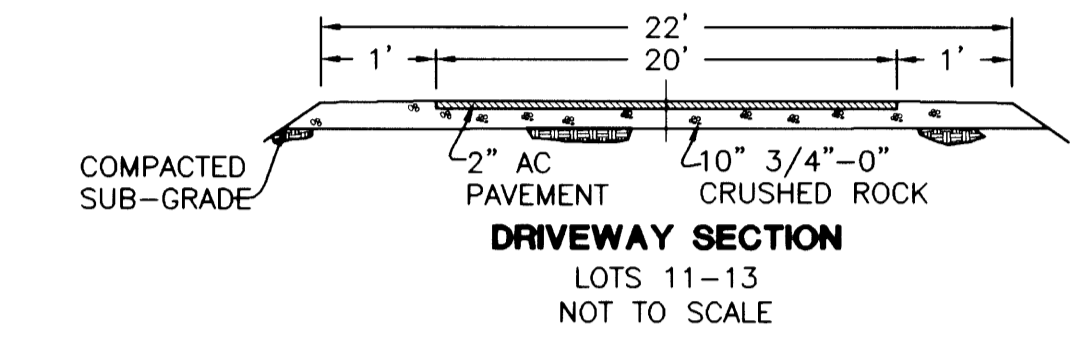


FILED
 Date: 12/27/2006 By: JJP
 This survey consists of:
 Map:
 Narrative:
 Corner Rpt:
 DOUGLAS COUNTY
 SURVEYOR

EROSION SHEET LEGEND:
 ORIGINAL ELEV. _____
 SILT FENCE S-F _____
 SEDIMENT BARRIER [Symbol]
 INLET PROTECTION [Symbol]



27-06-22DC-00100
 MORGAN, PAUL & ELIZABETH

27-06-22DC-00200
 MORGAN, PAUL & ELIZABETH

27-06-22DC-00500
 DILLMAN, DANIEL E & MAXINE J

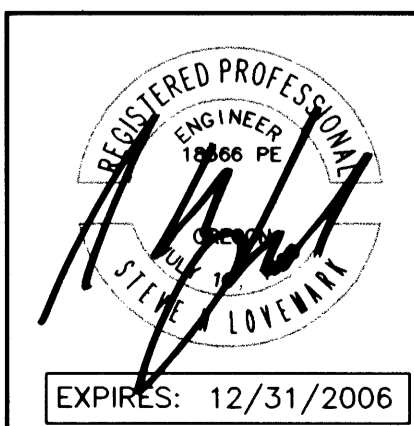
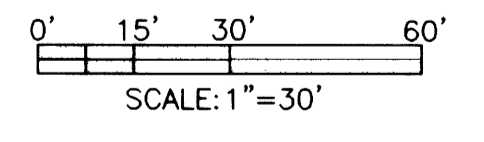
CITY OF ROSEBURG
 Public Works Dept.
 Development Plan Review

Approved for Development Approved with Conditions

By _____
 Date _____

CALL BEFORE YOU DIG I
 ONE CALL: (800) 332-2344
 OAR 952-001-0010 THROUGH
 OAR 952-001-0090

i.e. ENGINEERING
 505 SE Main Street
 Roseburg, Oregon 97470
 PHONE (541) 673-0166
 FAX (541) 440-9392
 jemail@ieengineering.com



Rev.	Date	Dwg	Description
1	1/24/05	ANV	AGENCY REVIEW
2	08/16/05	JDL	AS-BUILTS

Project Name:
RED HAWK ESTATES
 (LOOKINGGLASS RD. SUBDIVISION)

Title:
SITE GRADING & EROSION CONTROL w/FINISH CONTOURS

DES JPM PROJECT NO. 0333-16
 DWG BWC DATE: NOVEMBER 29, 2004
 CHK SNL SCALE: AS SHOWN
 APP SNL SHEET: 3 OF 8

Co. Rd. # 910

CO. RD. #910 GRADING

R910EROS

DO NOT DUPLICATE