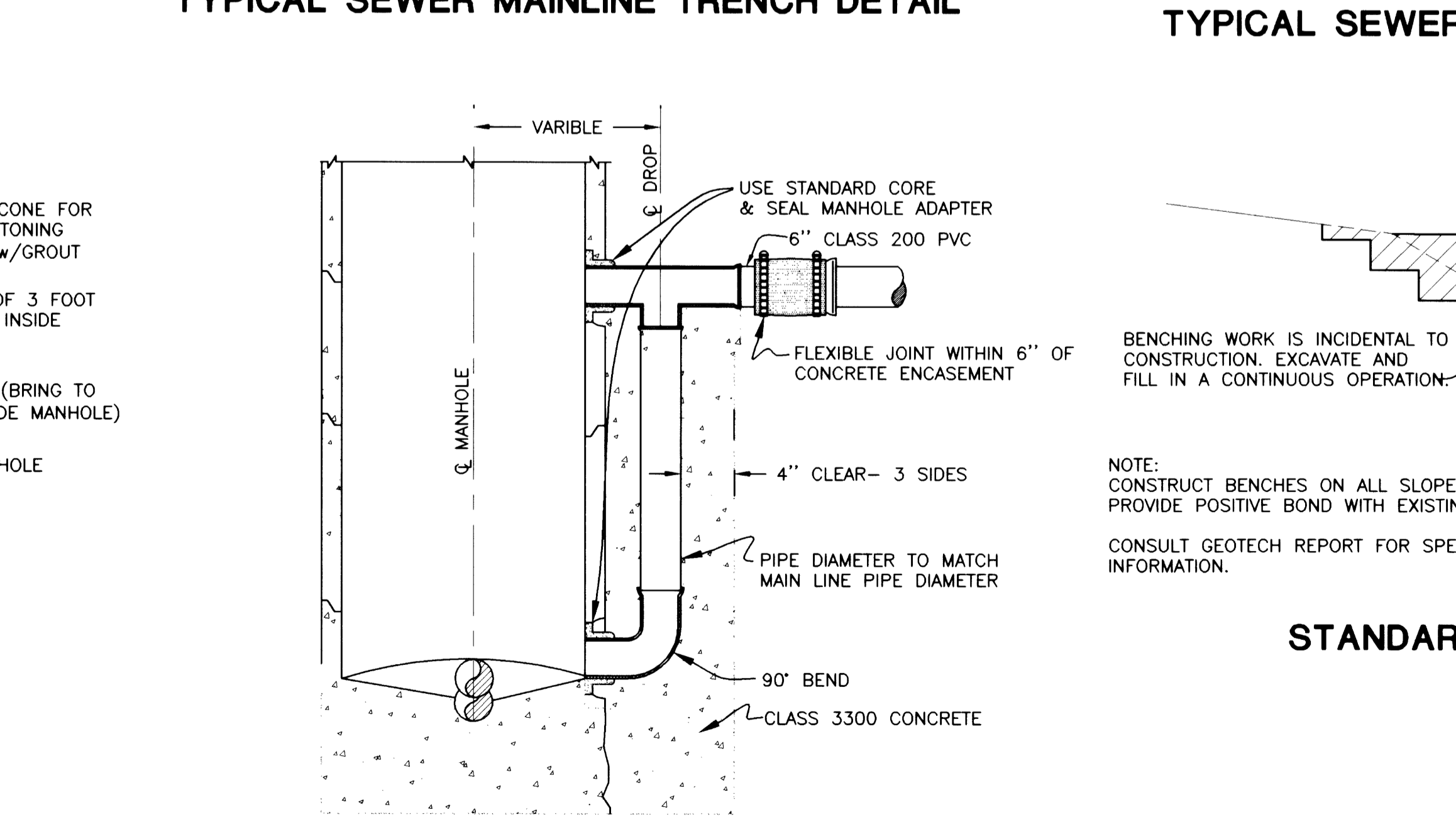
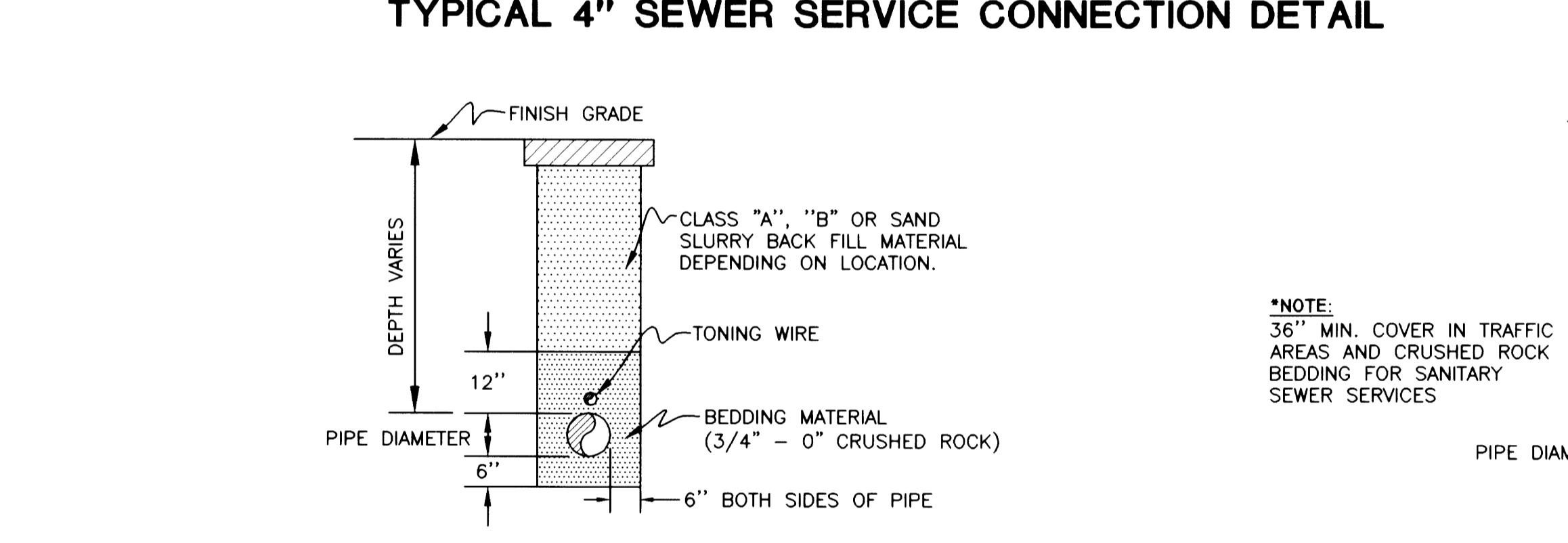
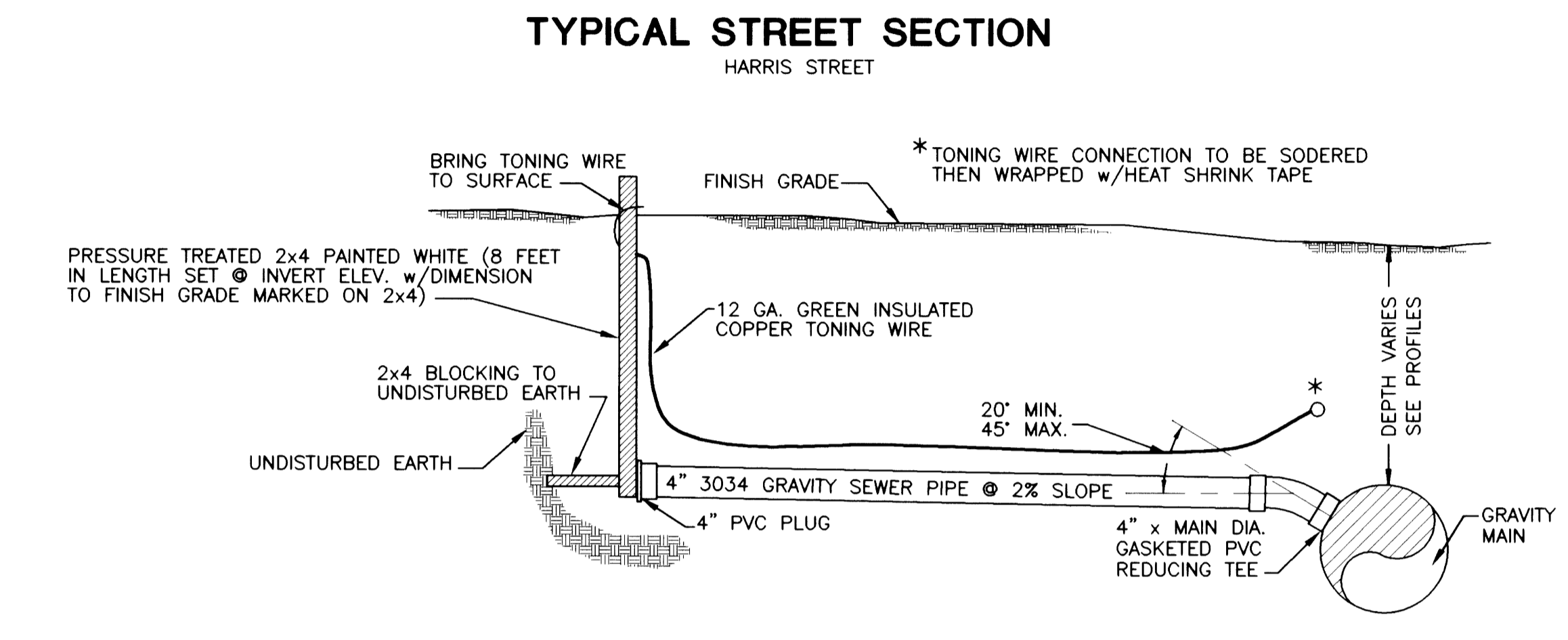
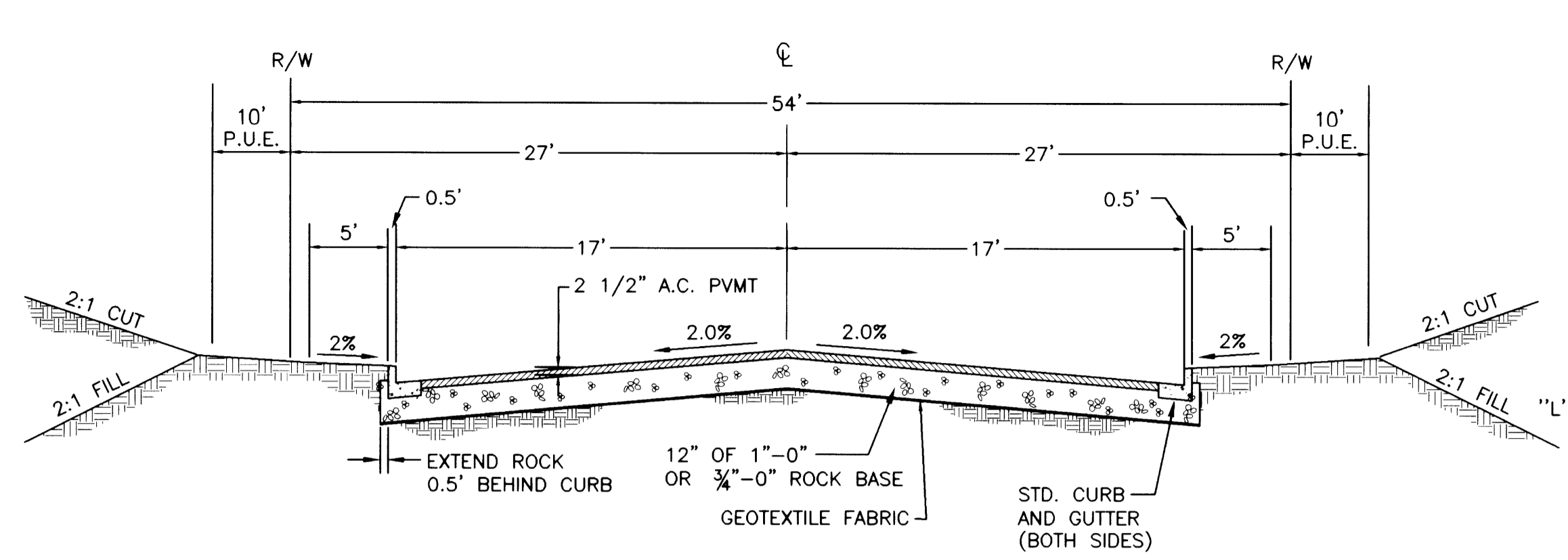
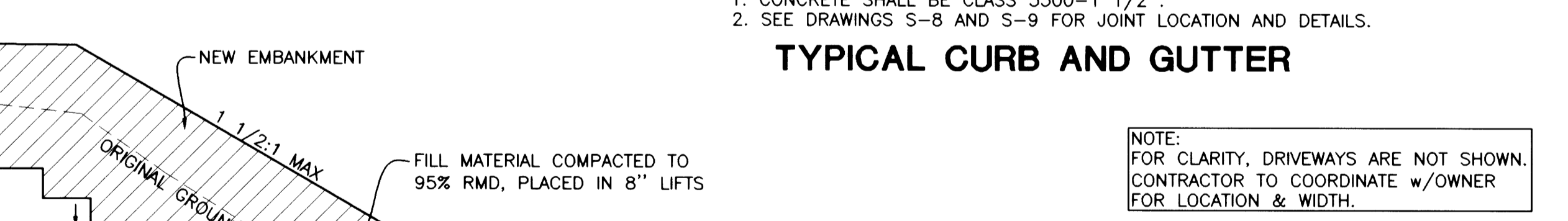
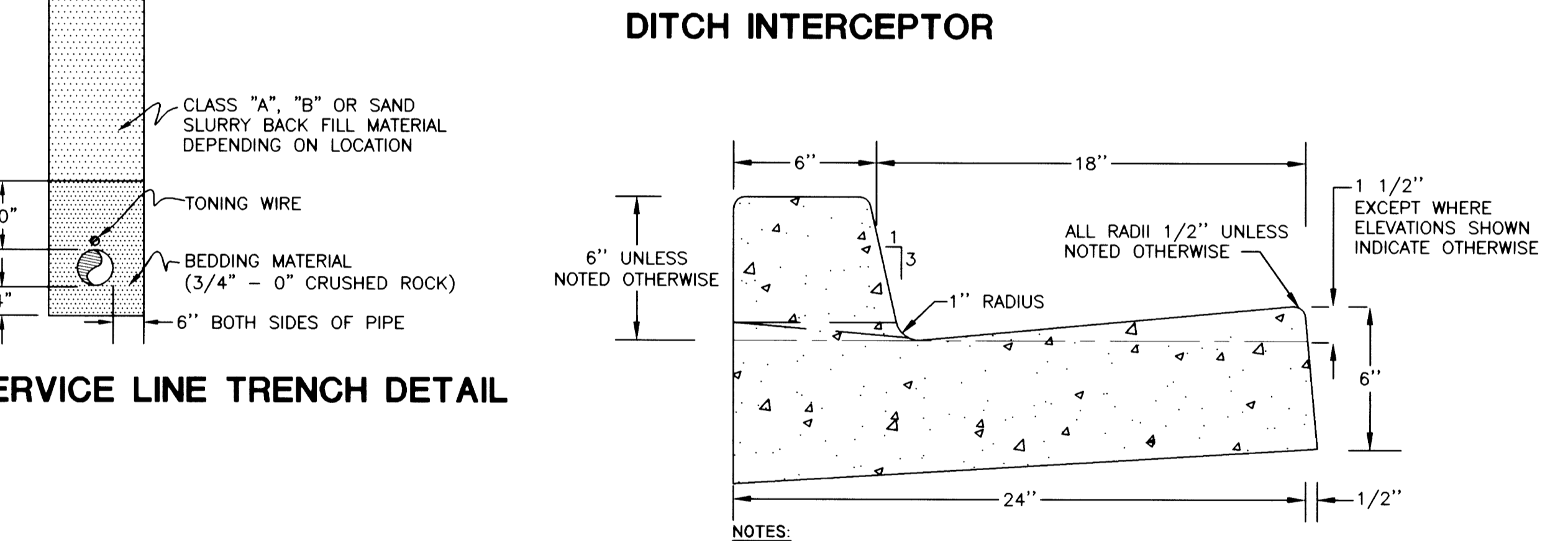
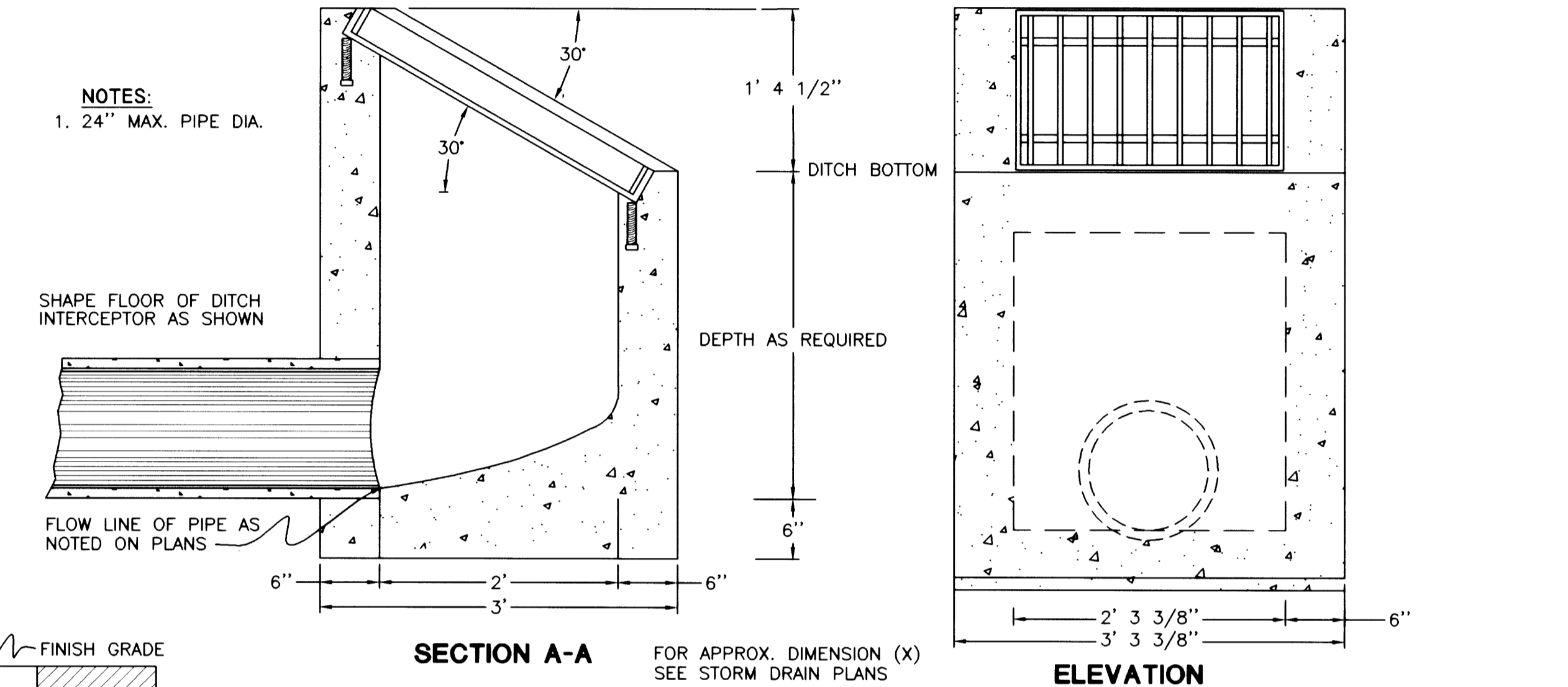
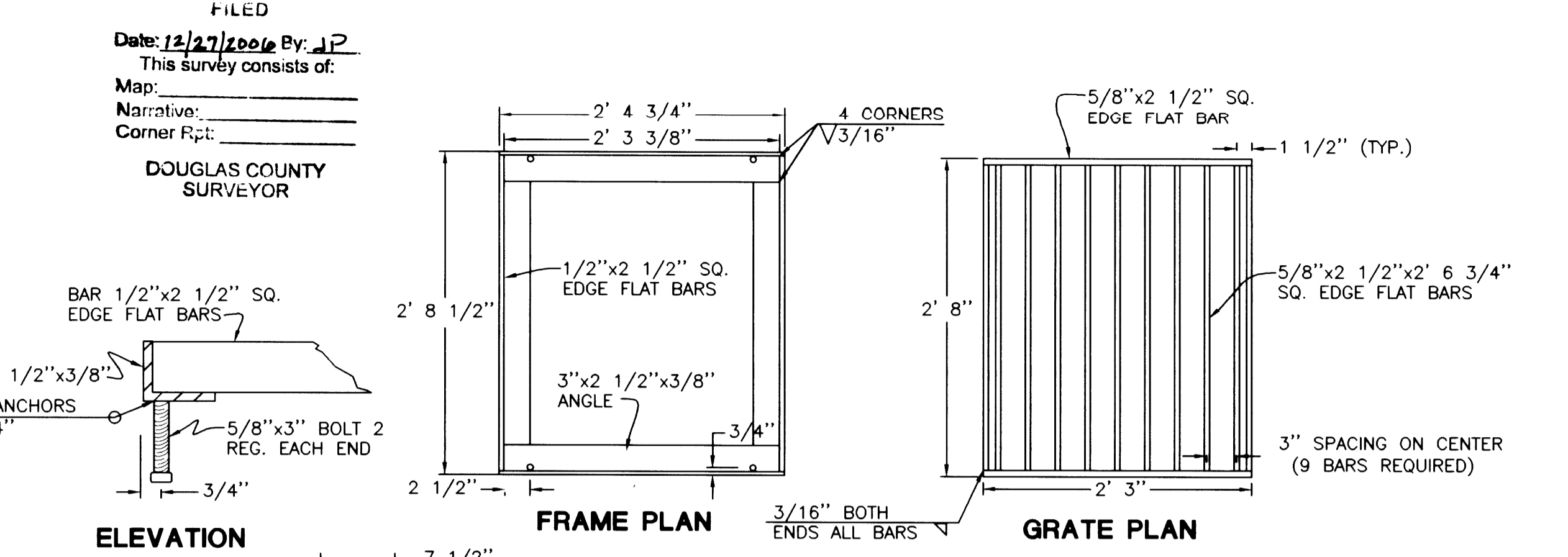


CITY OF ROSEBURG PUBLIC WORKS DEPARTMENT CHRIS S. BERQUIST, DIRECTOR STANDARD DRAWING No. PW-011 PRE-CAST STORM DRAIN CURB INLET	DATE:	SCALE:
	BY: RLP	CHK:
	DRWN: RLP	REV: 2/28/95
	APPRVD: CSB	REV: 8/22/03
	PROJECT No: N/A	REV:



TYPICAL OUTSIDE DROP MANHOLE DETAIL



CITY OF ROSEBURG
Public Works Dept.
Development Plan Review

Approved for Development: Approved with Conditions:

By: _____ Date: _____

CALL BEFORE YOU DIG 1
ONE CALL: (800) 332-2344
OAR 952-001-0010 THROUGH OAR 952-001-0090

i.e. ENGINEERING
505 SE Main Street
Roseburg, Oregon 97470
PHONE (541) 673-0166
FAX (541) 440-9392
jemail@ieengineering.com

Project Name: **RED HAWK ESTATES**
(LOOKINGGLASS RD. SUBDIVISION)

Rev.	Date	Dwg	Description
1	1/24/05	ANV	AGENCY REVIEW
2	08/16/05	JDL	AS-BUILTS

Expires: 12/31/2006
Co. Rd. # 910

R910DET2