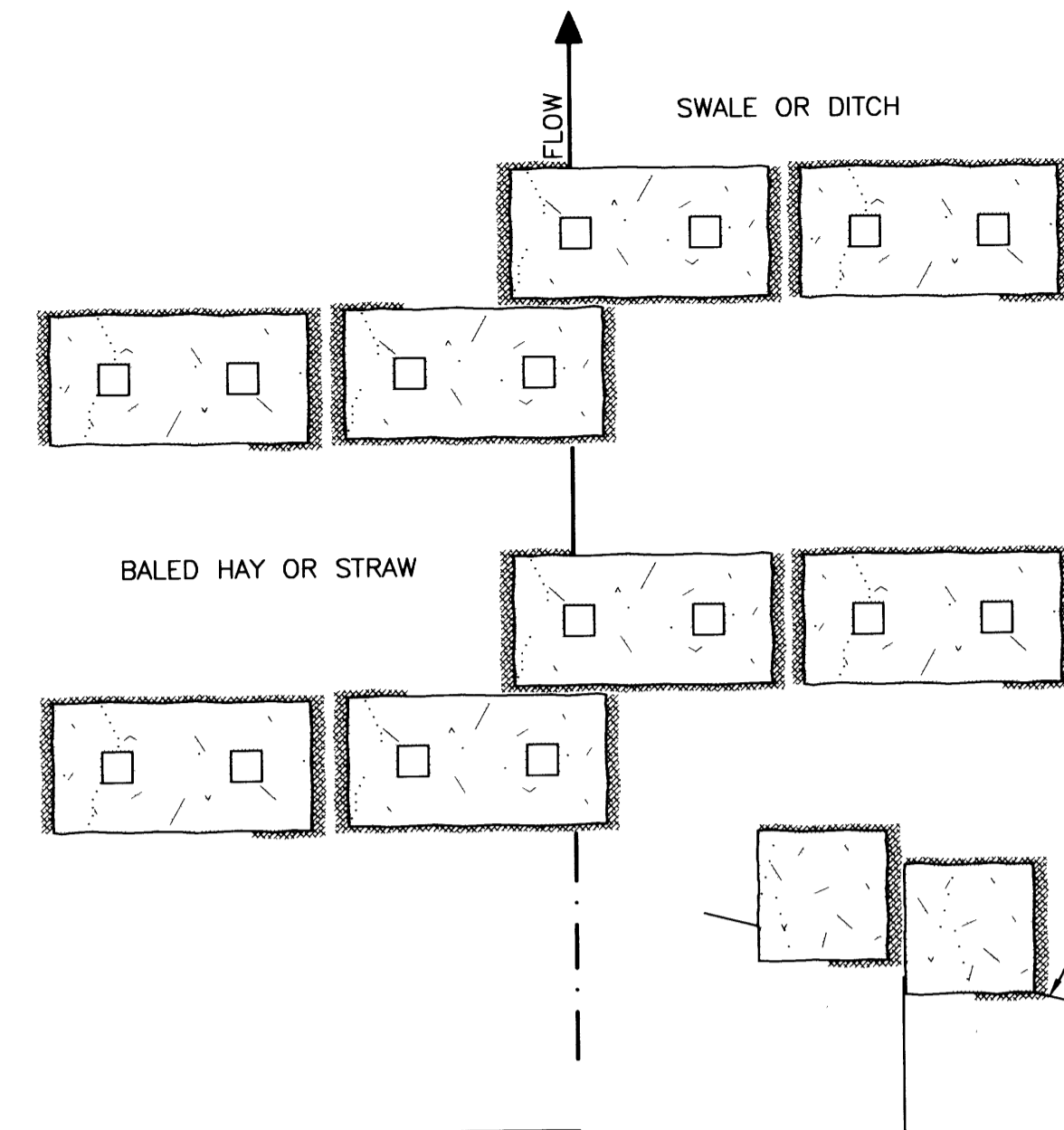


CITY OF ROSEBURG
 Public Works Dept.
 Development Plan Review

Approved for Development Approved with Conditions

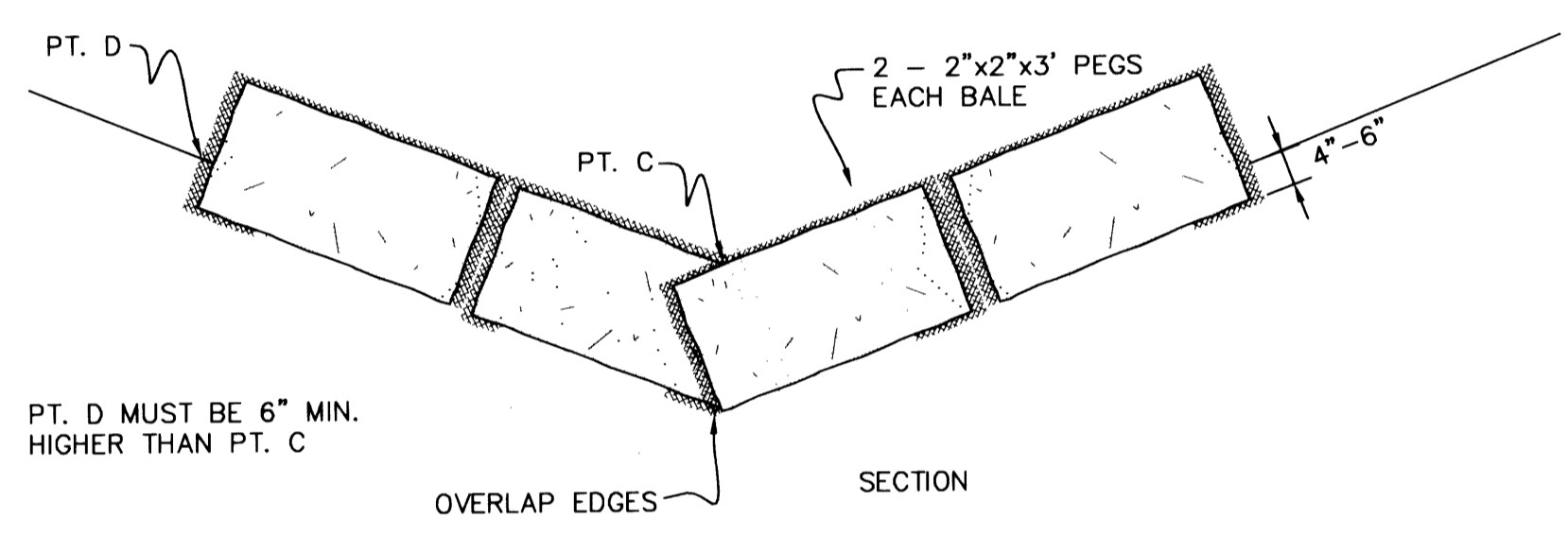
By: _____
 Date: _____



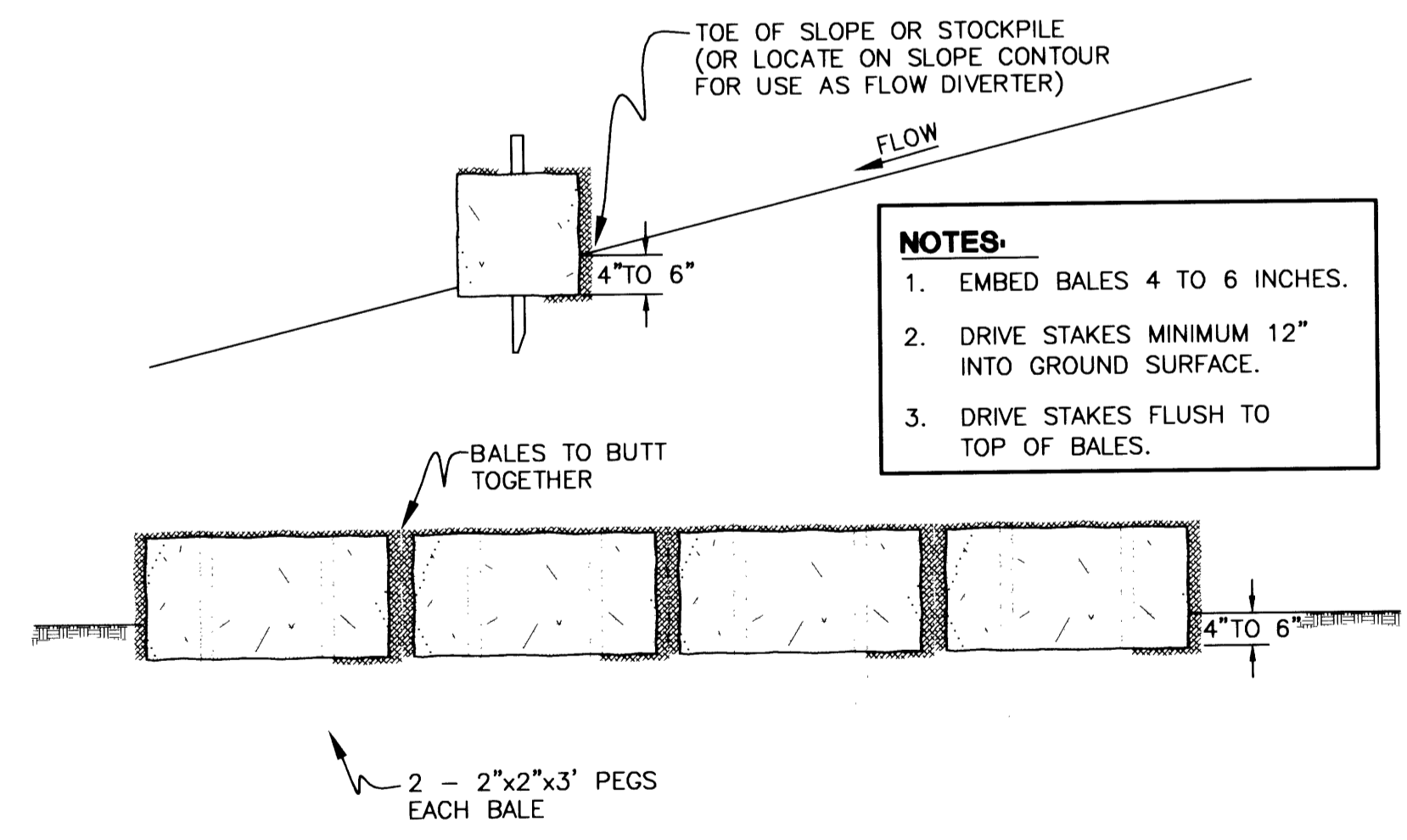
NOTES:
 1. EMBED BALES 4 TO 6 INCHES.
 2. DRIVE STAKES MINIMUM 12" INTO GROUND SURFACE.

SPACING BETWEEN BARRIERS

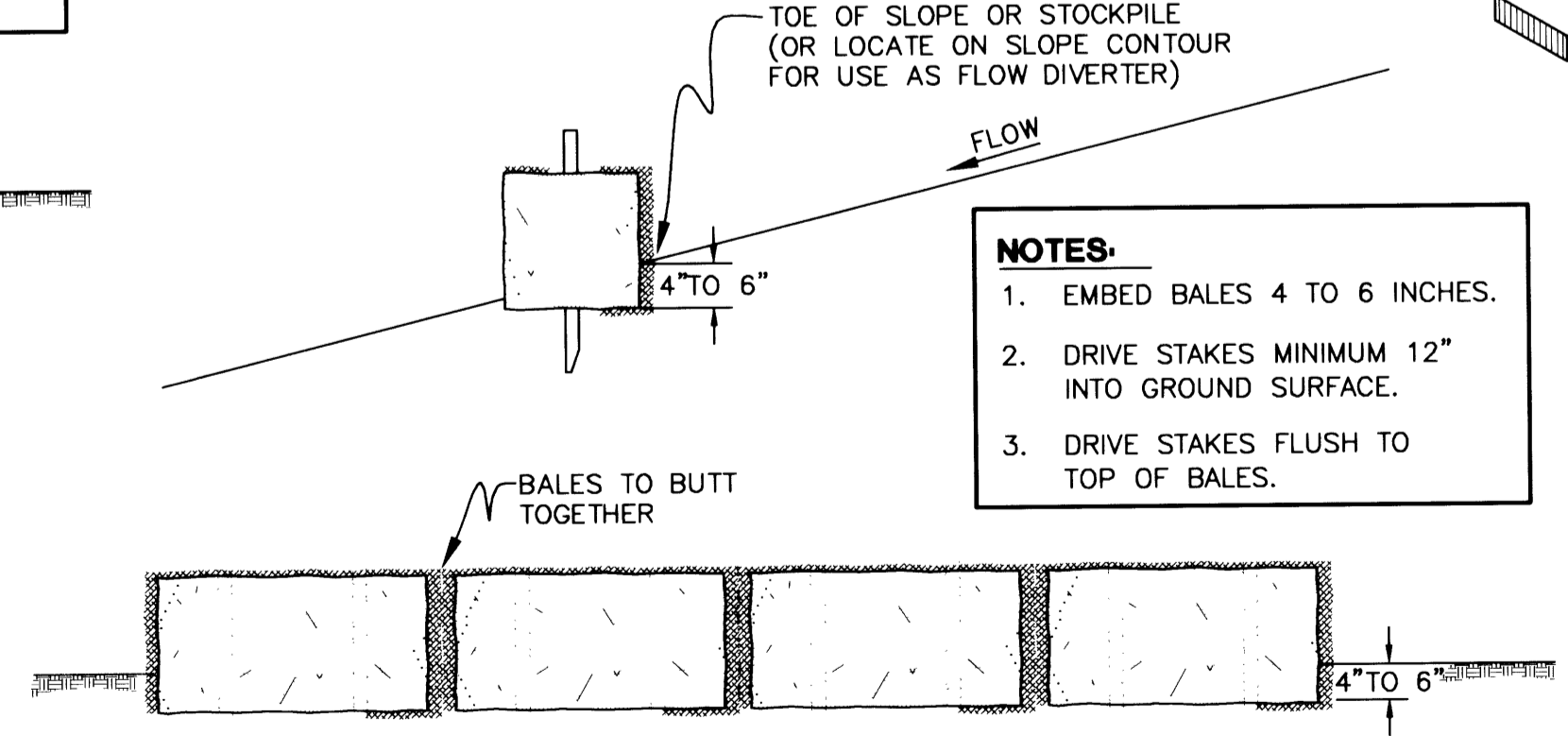
L = THE DISTANCE SUCH THAT POINTS A AND B ARE OF EQUAL ELEVATION



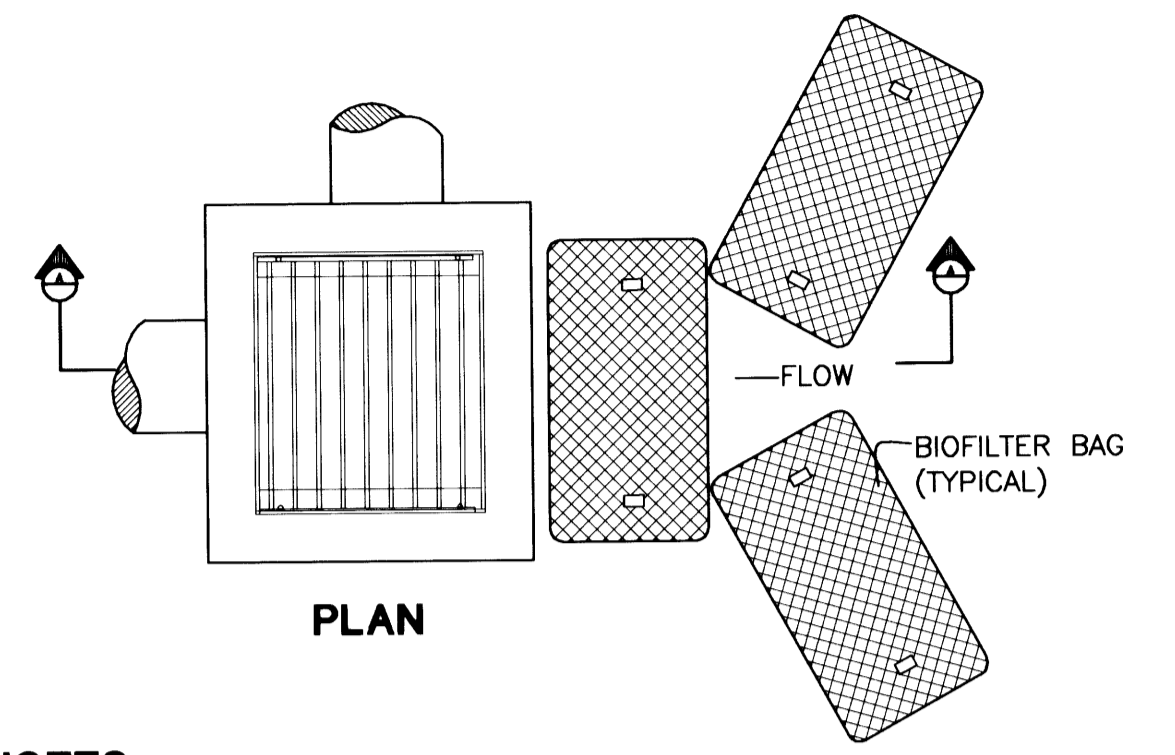
STRAW BALE SEDIMENT BARRIERS IN DITCHES OR SWALES



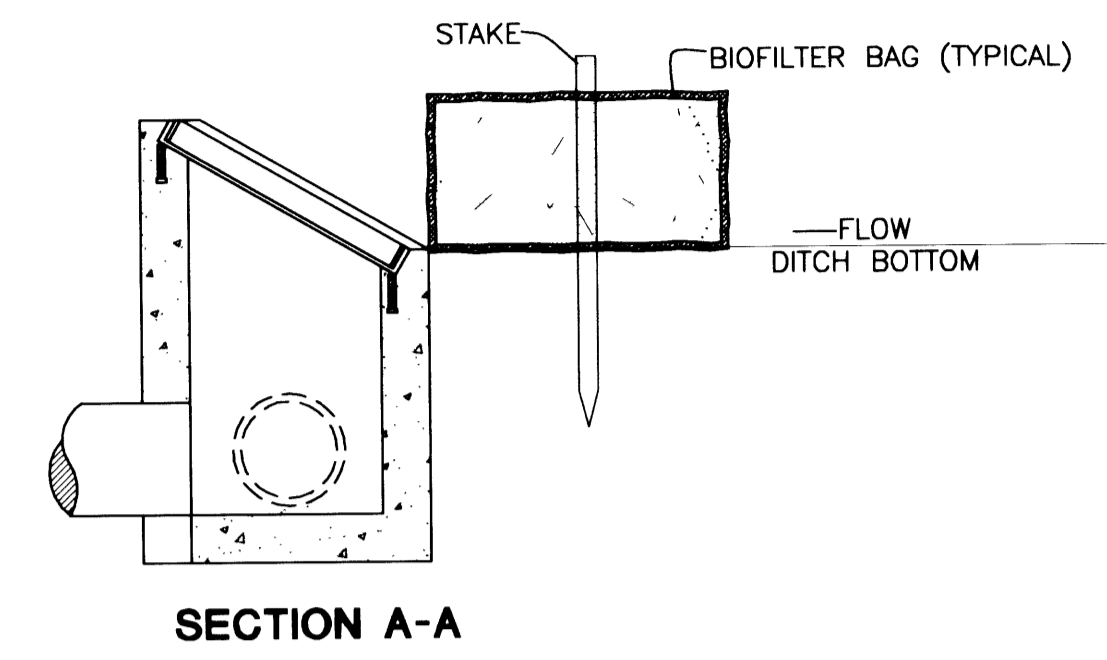
STRAW BALE SEDIMENT BARRIER



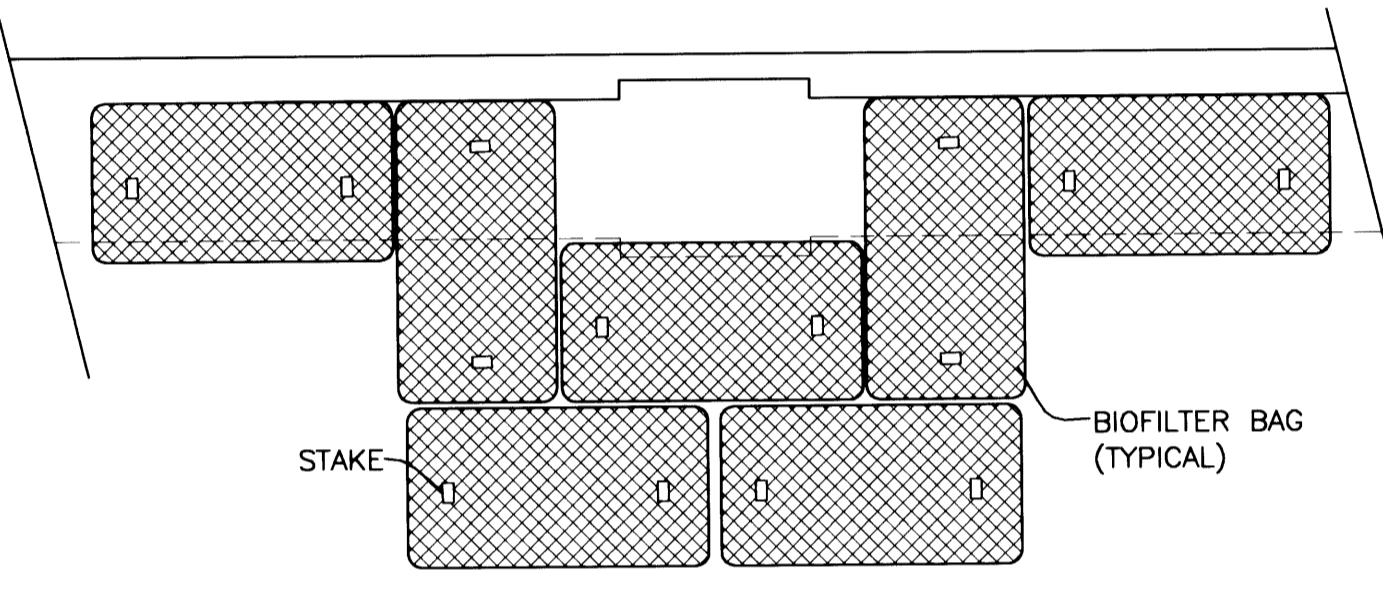
STRAW BALE SEDIMENT BARRIER



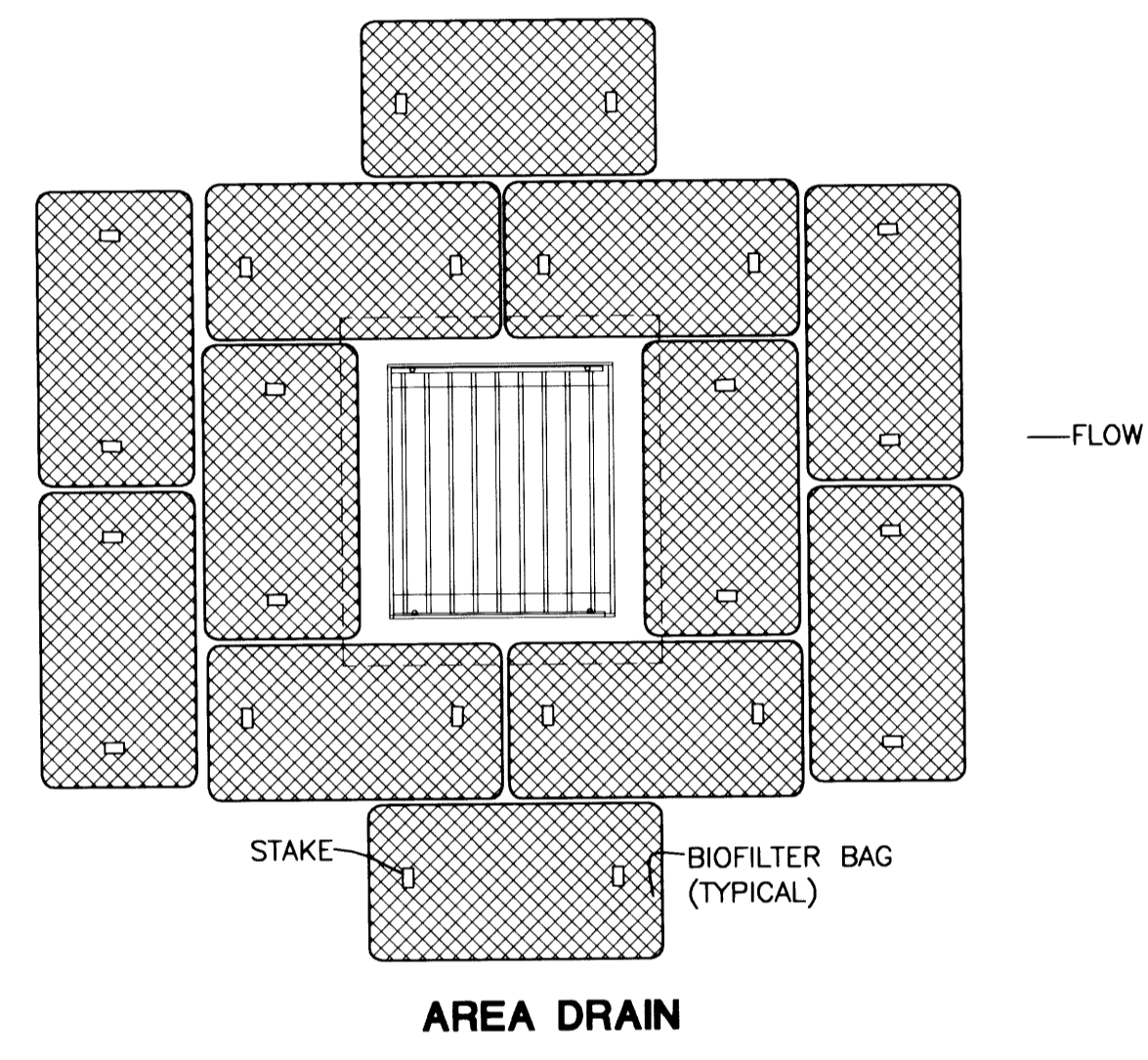
NOTES:
 1. USE 2 STAKES PER BAG. STAKES MAY BE OMITTED IF BAGS ARE PLACED ON PAVEMENT SURFACE.
 2. OVERLAP ALL BAG JOINTS 6".



DITCH INLET

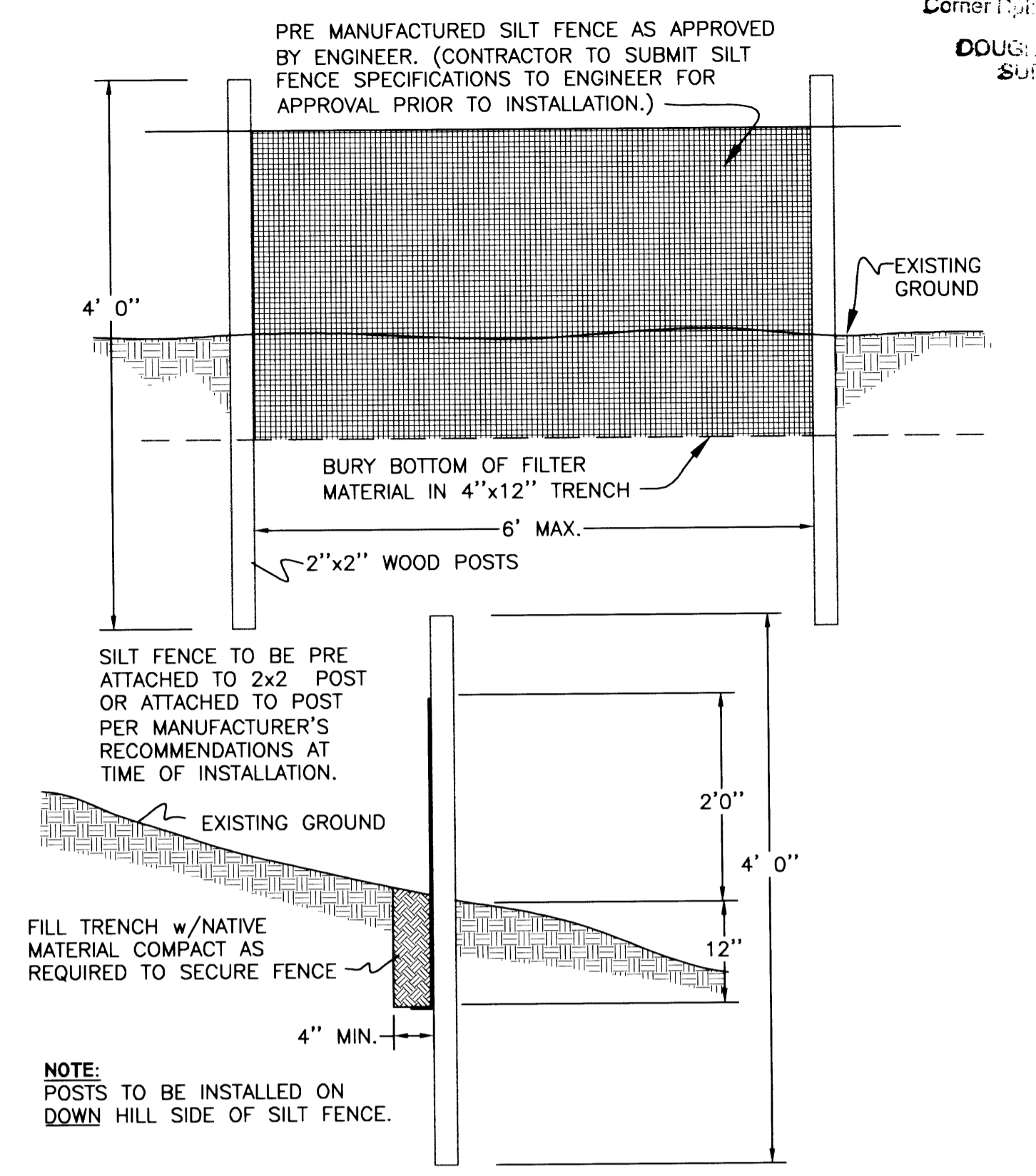


PLAN CURB INLET



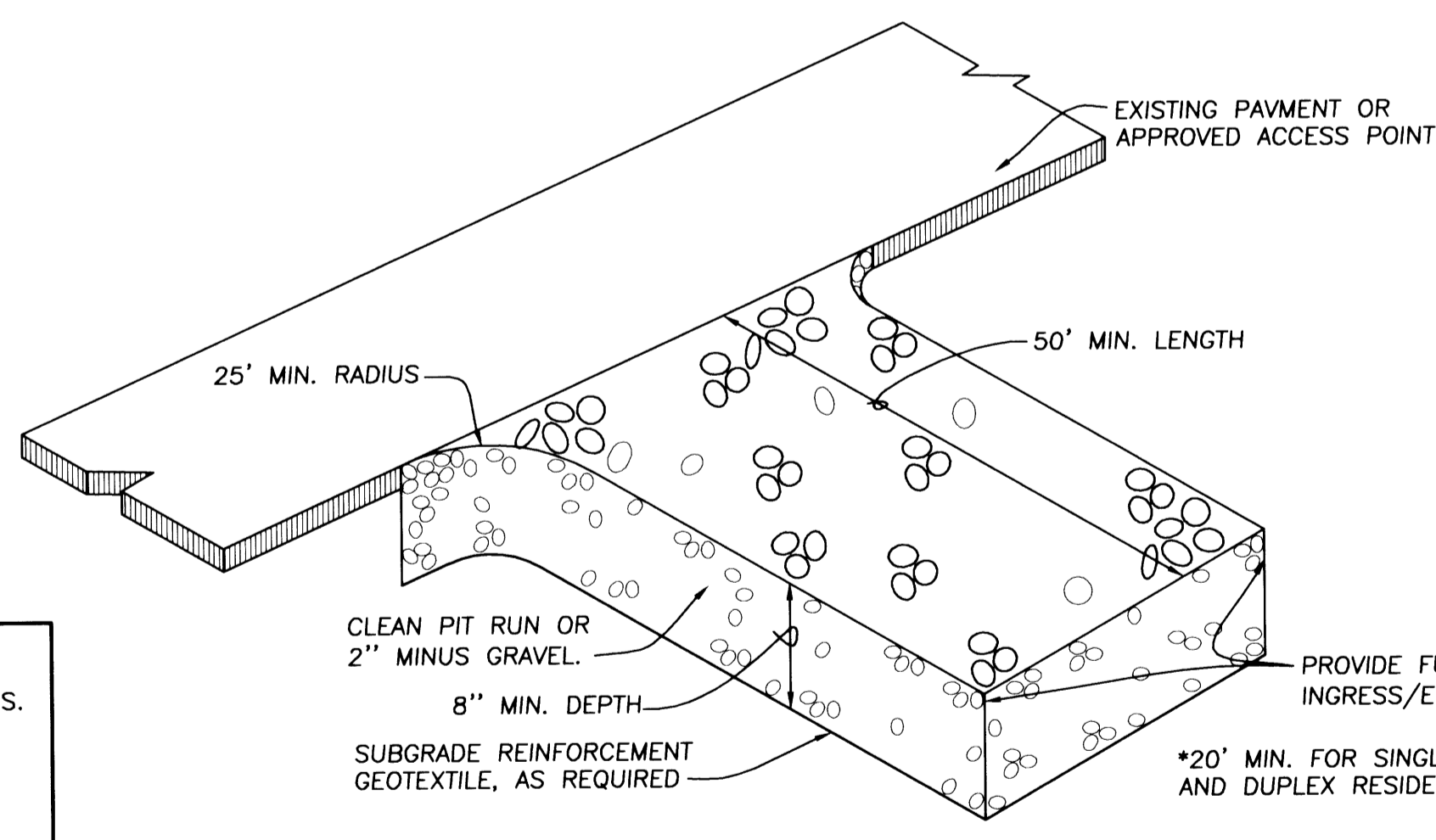
AREA DRAIN

INLET PROTECTION (TYPE 4) BIOFILTER BAGS



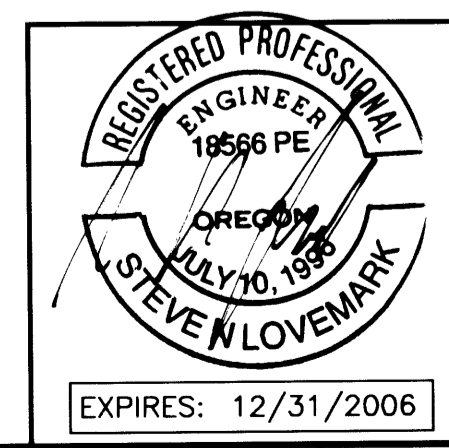
SILT FENCE INSTALLATION DETAIL

- GENERAL EROSION CONTROL NOTES**
- CONSTRUCTION AREAS WITHIN JOB SITE SHALL BE PROTECTED FROM EROSION.
 - REUSED SPOIL MATERIAL SHALL BE PLACED SO AS NOT TO IMPEDE NATURAL DRAINAGE AND SHALL BE SLOPED TO DRAIN WITH SIDE SLOPES 3:1 OR FLATTER.
 - SURFACES SHALL BE SEALED BY THE USE OF RUBBER Tired EARTH MOVING EQUIPMENT.
 - TEMPORARY DRAINAGE FACILITIES SHALL BE PROVIDED, WHEN REQUIRED, TO ROUTE FLOWS AROUND CONSTRUCTION AREAS.
 - THE LOCATION OF ALL EROSION CONTROL FEATURES ON THESE PLANS ARE APPROXIMATE ONLY. ACTUAL LOCATIONS ARE TO BE DETERMINED IN THE FIELD BY THE FIELD ENGINEER.
 - THE SITE SHALL BE INSPECTED BY THE CONTRACTOR AT LEAST MONTHLY DURING THE WINTER MONTHS AND AFTER EACH MAJOR RAINFALL. AT THIS TIME SILT SHALL BE REMOVED WHERE NECESSARY AND ANY DAMAGED EROSION CONTROL FEATURES SHALL BE REPAIRED.
 - STOCKPILE IN A DRY AND ACCESSIBLE LOCATION AND SECURELY COVER WITH PLASTIC A MINIMUM OF 24 STRAW BALES FOR EMERGENCY USE.
 - IF EROSION CONTROL FEATURES ARE REMOVED TO ALLOW CONSTRUCTION TO CONTINUE THEY SHALL BE REPLACED WHEN RAIN IS IMMINENT OR PREDICTED AND AT THE END OF THE WORKDAY EACH FRIDAY.
 - STABILIZED CONSTRUCTION ENTRANCES SHALL BE INSTALLED AT THE BEGINNING OF CONSTRUCTION AND MAINTAINED FOR THE DURATION OF THE PROJECT.
 - FINAL SEEDING SHALL OCCUR IMMEDIATELY AFTER EXCAVATION IS COMPLETED.
 - FILL SLOPES OF 2:1 TO 4:1 SHALL BE TRACK-WALKED PRIOR TO FINAL SEEDING.
 - TRUCKS TRANSPORTING SATURATED SOILS FROM THE SITE SHALL BE WELL SEALED SO THAT WATER SEEPING FROM THE SOIL CANNOT DRAIN FROM THE VEHICLE. IF WELL SEALED TRUCKS ARE NOT PROVIDED, THE LOADED TRUCK SHALL REMAIN IN PLACE UNTIL THE DRIPPAGE FROM THE TRUCK DOES NOT EXCEED ONE GALLON PER HOUR BEFORE LEAVING THE SITE.



GRAVEL CONSTRUCTION ENTRANCE

CALL BEFORE YOU DIG 1
 ONE CALL (800) 332-2344
 OAR 952-001-0010 THROUGH
 OAR 952-001-0090



Rev.	Date	Dwg	Description
3	1/06/05	NRJ	AS-BUILTS

i.e. ENGINEERING
 741 SE Jackson Street
 Roseburg, Oregon 97470
 PHONE (541) 673-0166
 FAX (541) 440-9392
 iemail@ieengineering.com

Project Name: TAFT HEIGHTS PHASE 3A
 Title: EROSION CONTROL DETAILS

DES DMA PROJECT NO. 1733-06
 DWG BWC DATE: MAY 26, 2004
 CHK SNL SCALE: AS SHOWN
 APP SNL SHEET: 9 OF 9

Co. Rd. # 908A