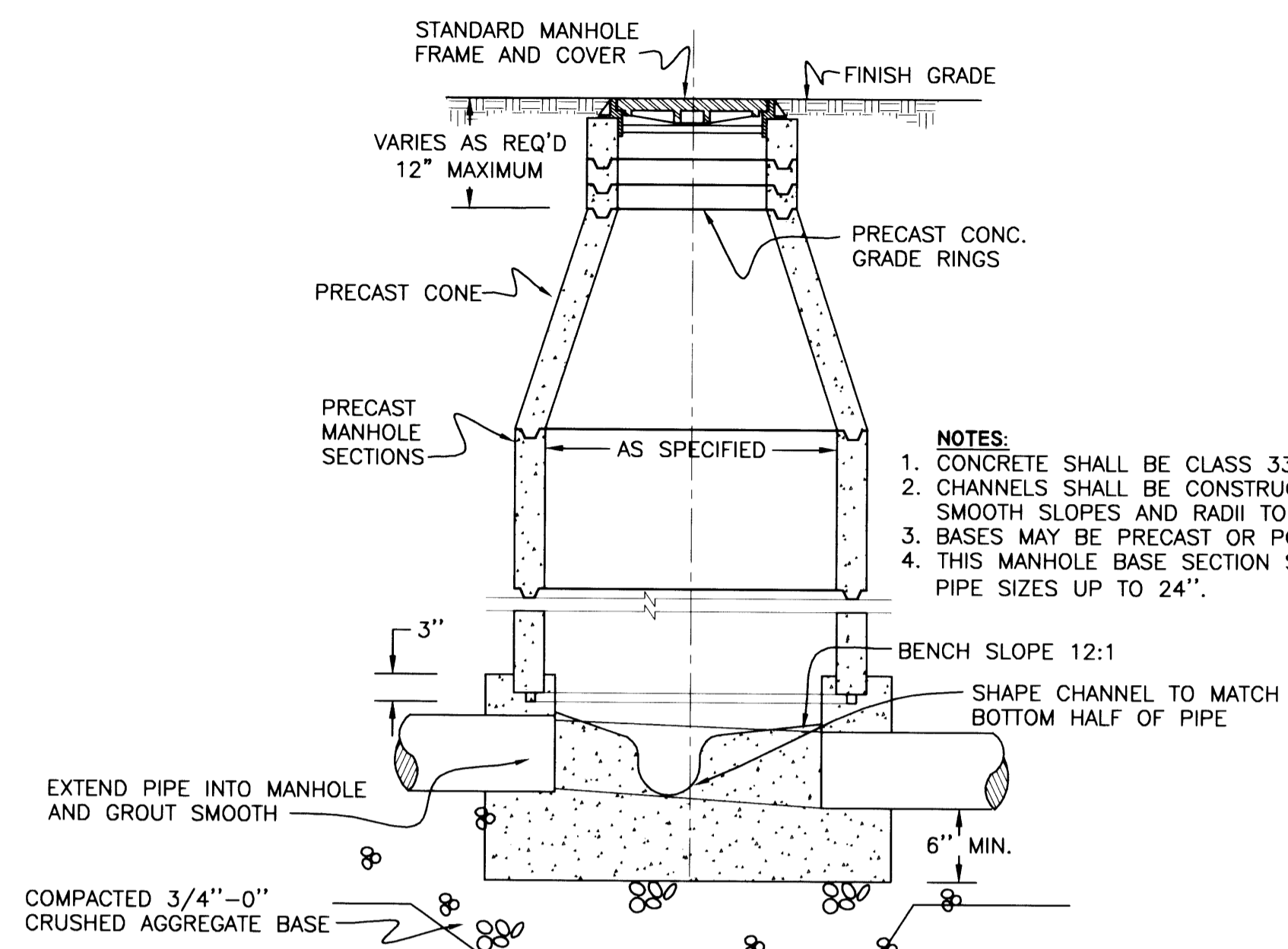
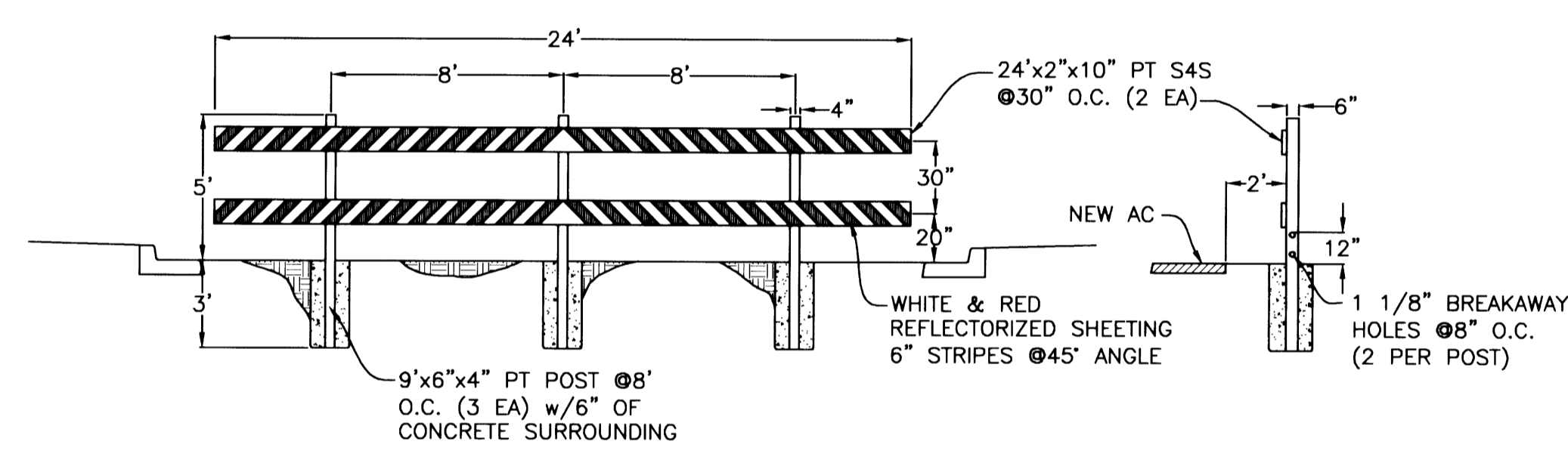


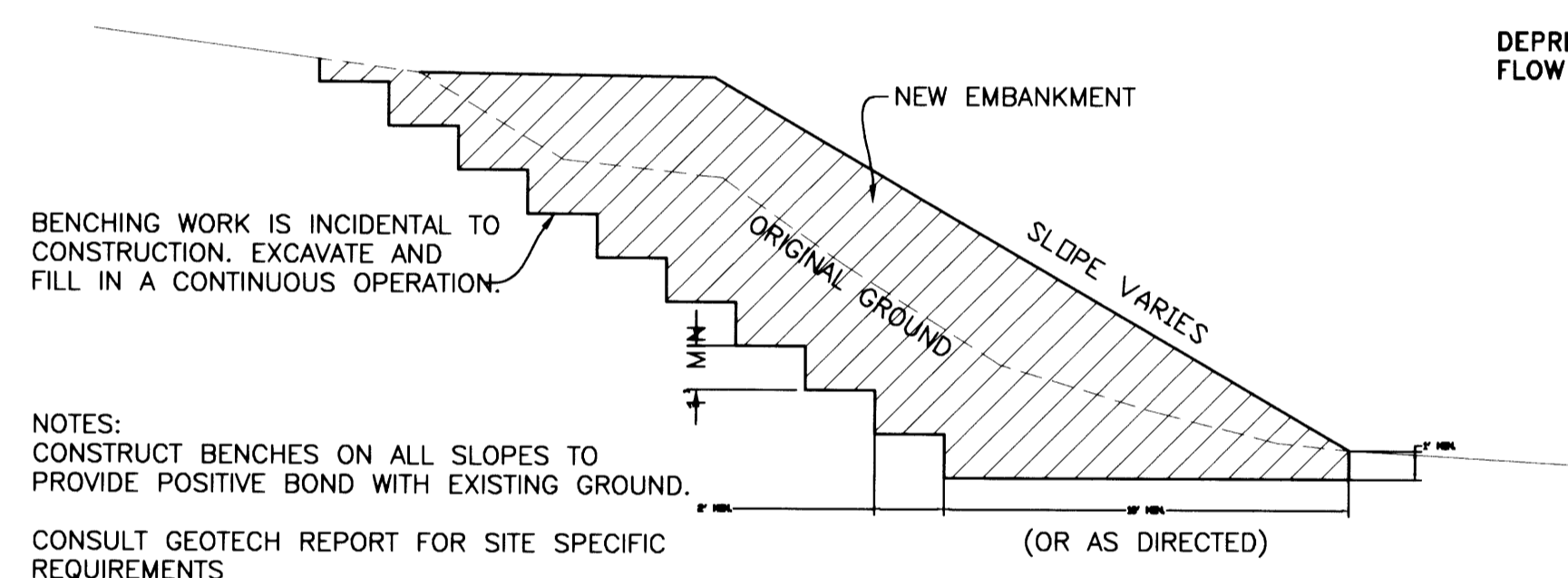
TYPICAL SANITARY MANHOLE DETAIL
 (CAST IN PLACE)



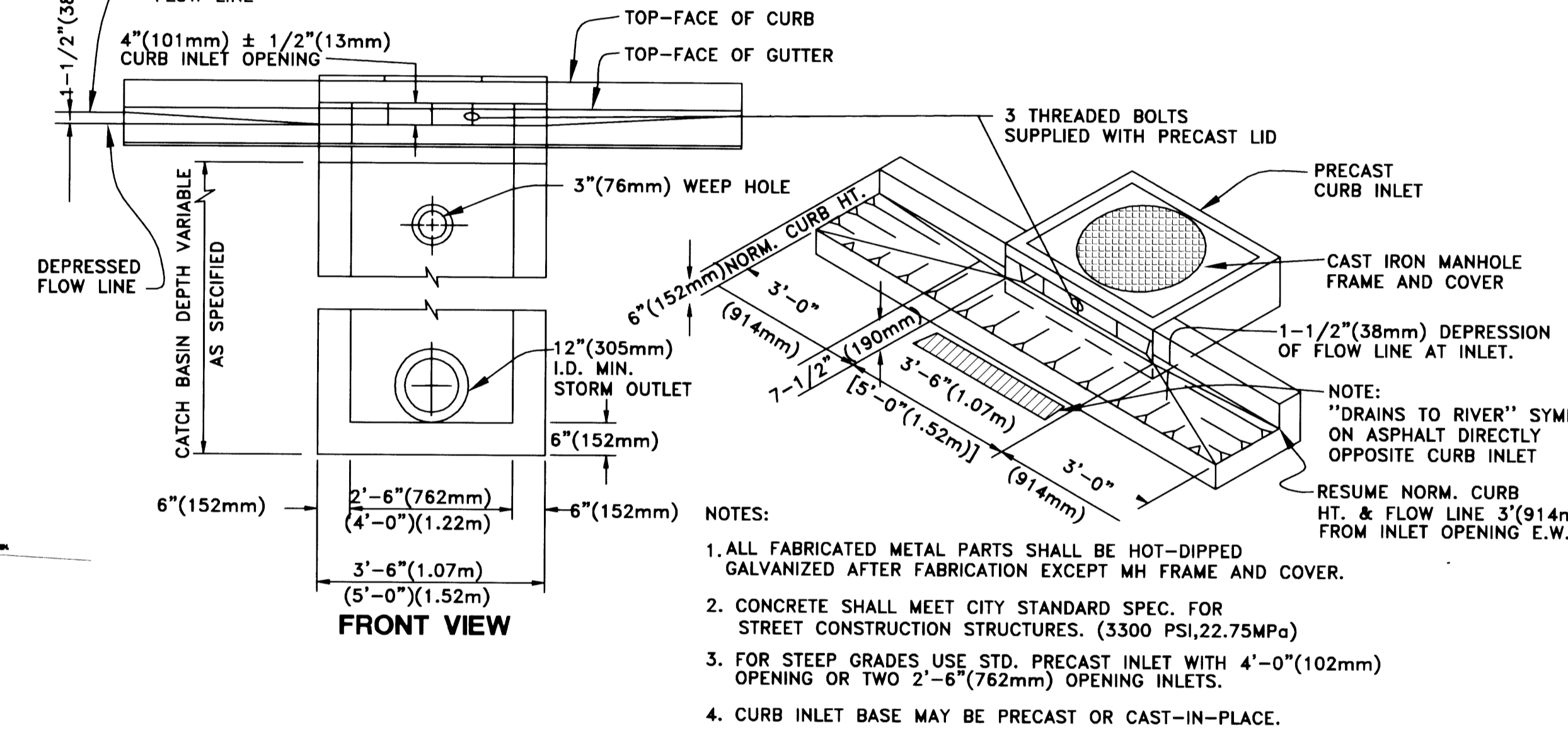
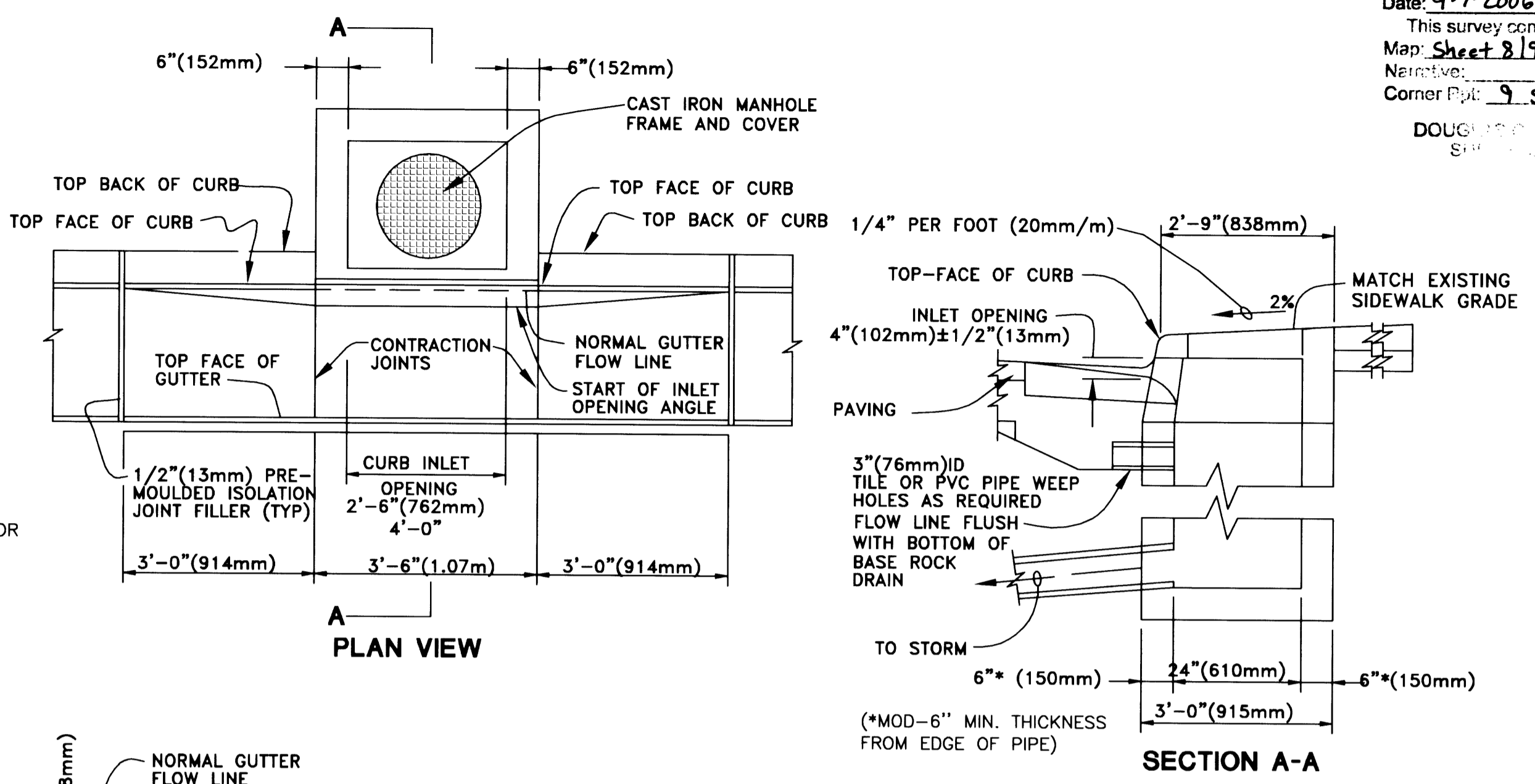
TYPICAL STORM MANHOLE DETAIL



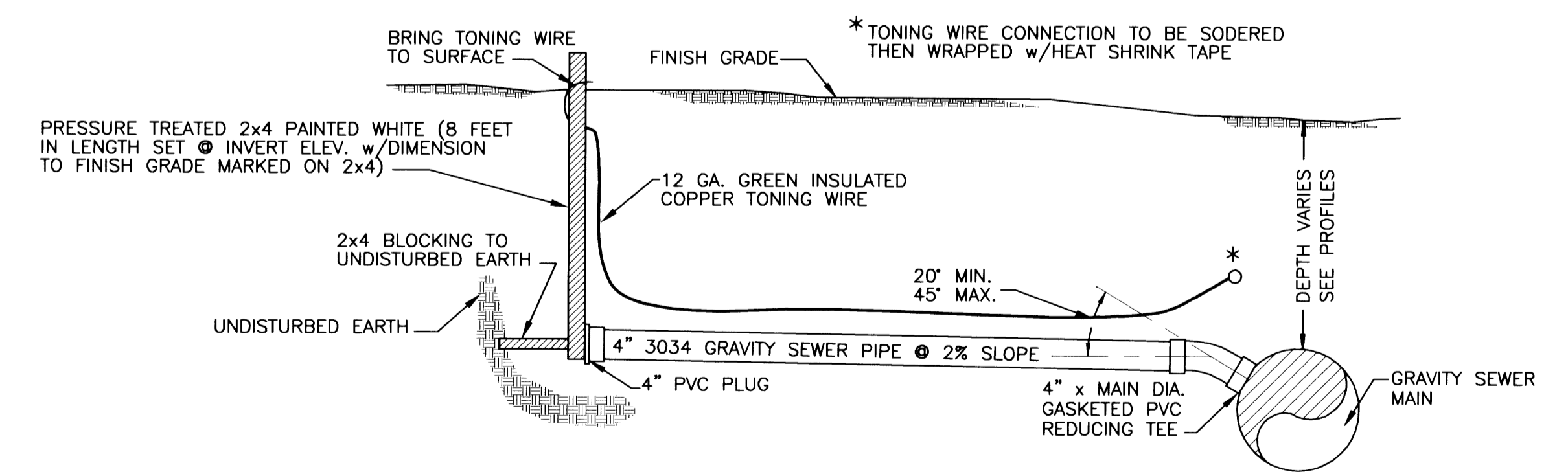
STREET BARRICADE



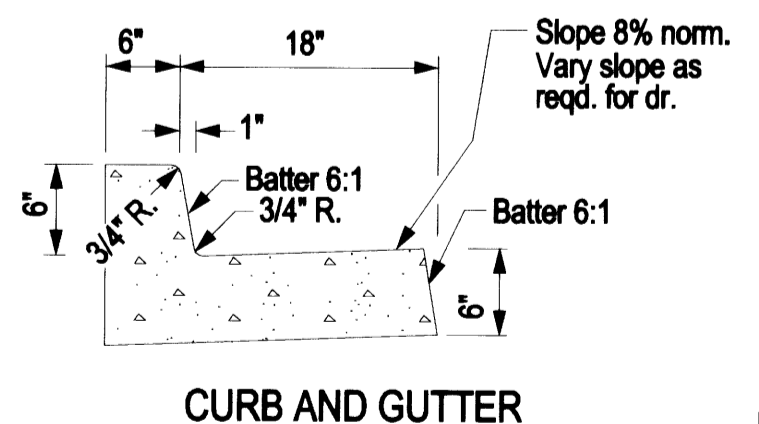
STANDARD EMBANKMENT CONSTRUCTION



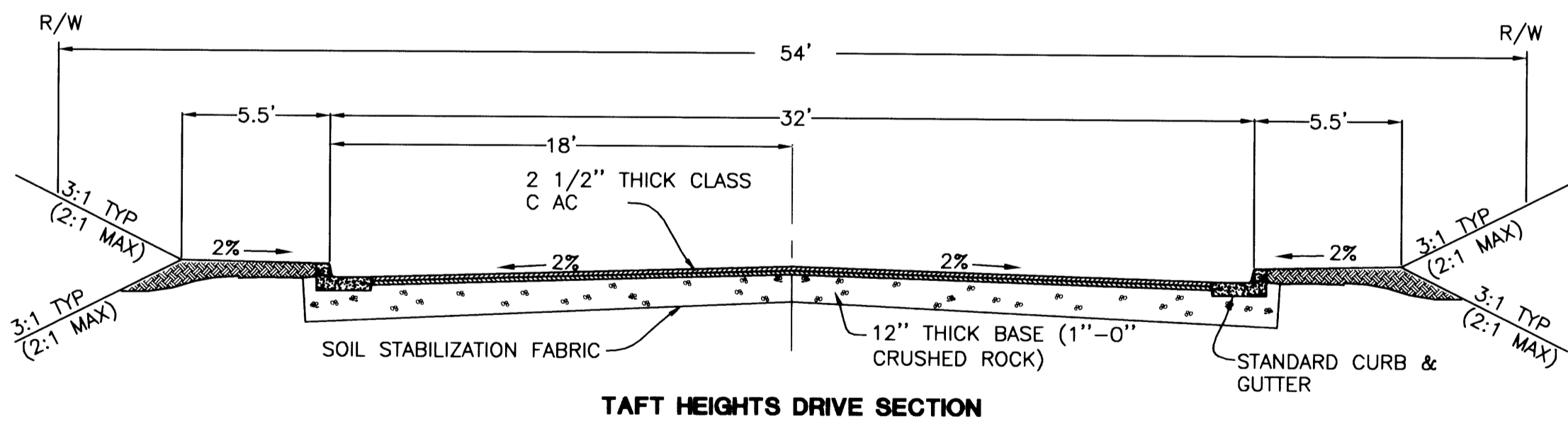
TYPICAL CG-3 INLET DETAIL



TYPICAL 4" SEWER SERVICE CONNECTION DETAIL



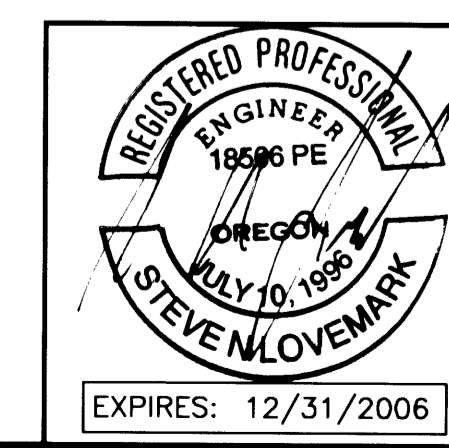
CURB AND GUTTER



CITY OF ROSEBURG
 Public Works Dept.
 Development Plan Review

Approved for Development Approved with Conditions

By: _____
 Date: _____



CALL BEFORE YOU DIG!
 ONE CALL (800) 332-2344
 OAR 952-001-0010 THROUGH
 OAR 952-001-0090

i.e. ENGINEERING
 741 SE Jackson Street
 Roseburg, Oregon 97470
 PHONE (541) 673-0166
 FAX (541) 440-9392
 Email: iemail@ieengineering.com

Rev.	Date	Dwg	Description
3	1/06/05	NRJ	AS-BUILTS

Project Name: TAFT HEIGHTS PHASE 3A
 Title: DETAILS
 DES DMA PROJECT NO. 1733-06
 DWG BWC DATE: MAY 26, 2004
 CHK SNL SCALE: AS SHOWN
 APP SNL SHEET: 8 OF 9