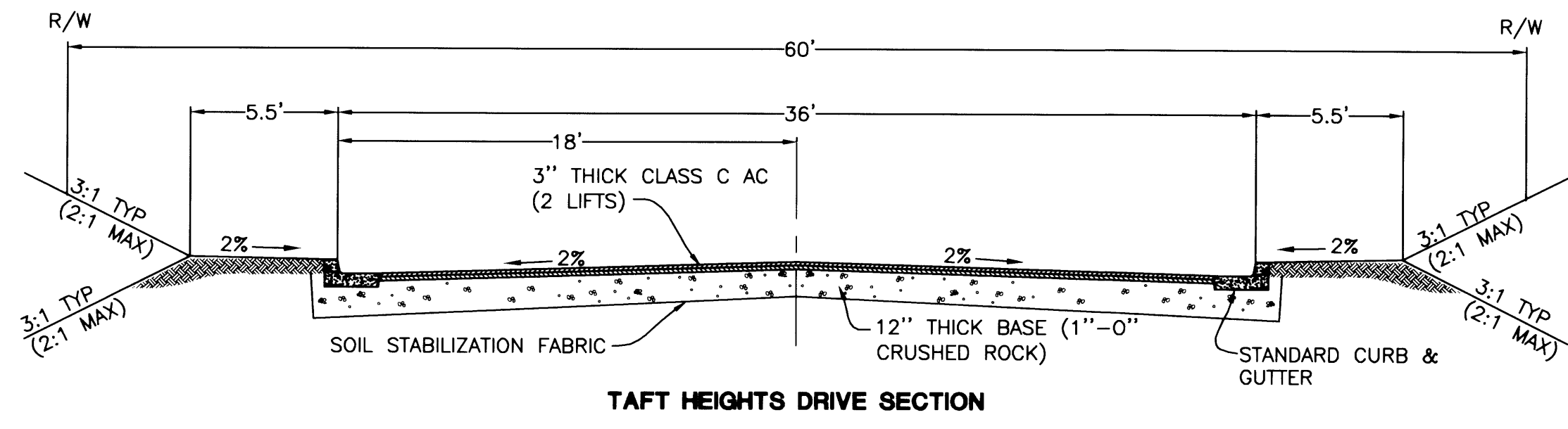
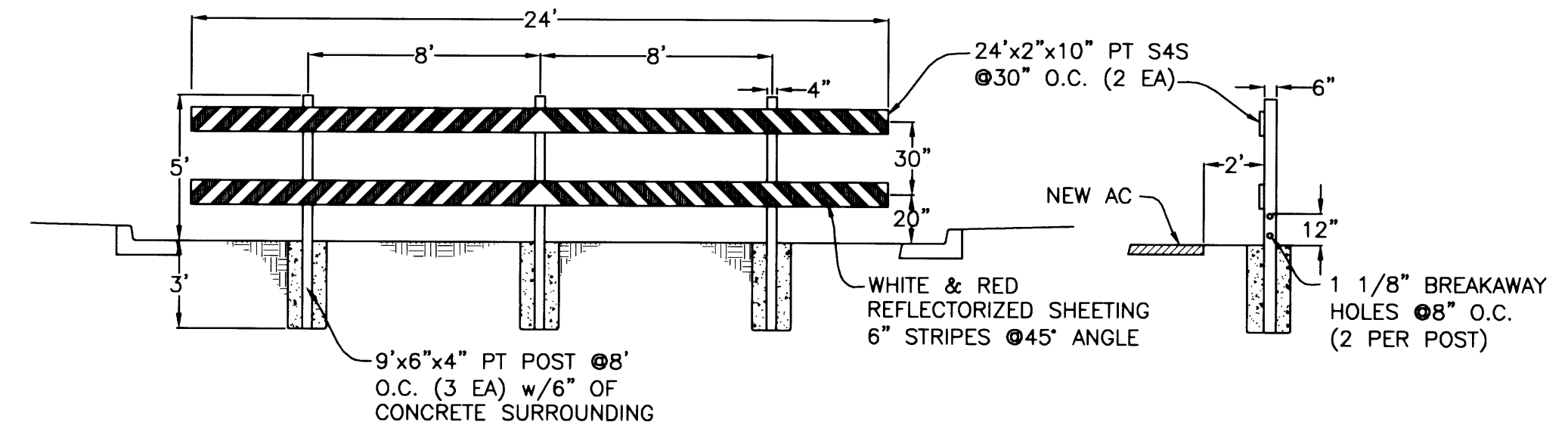


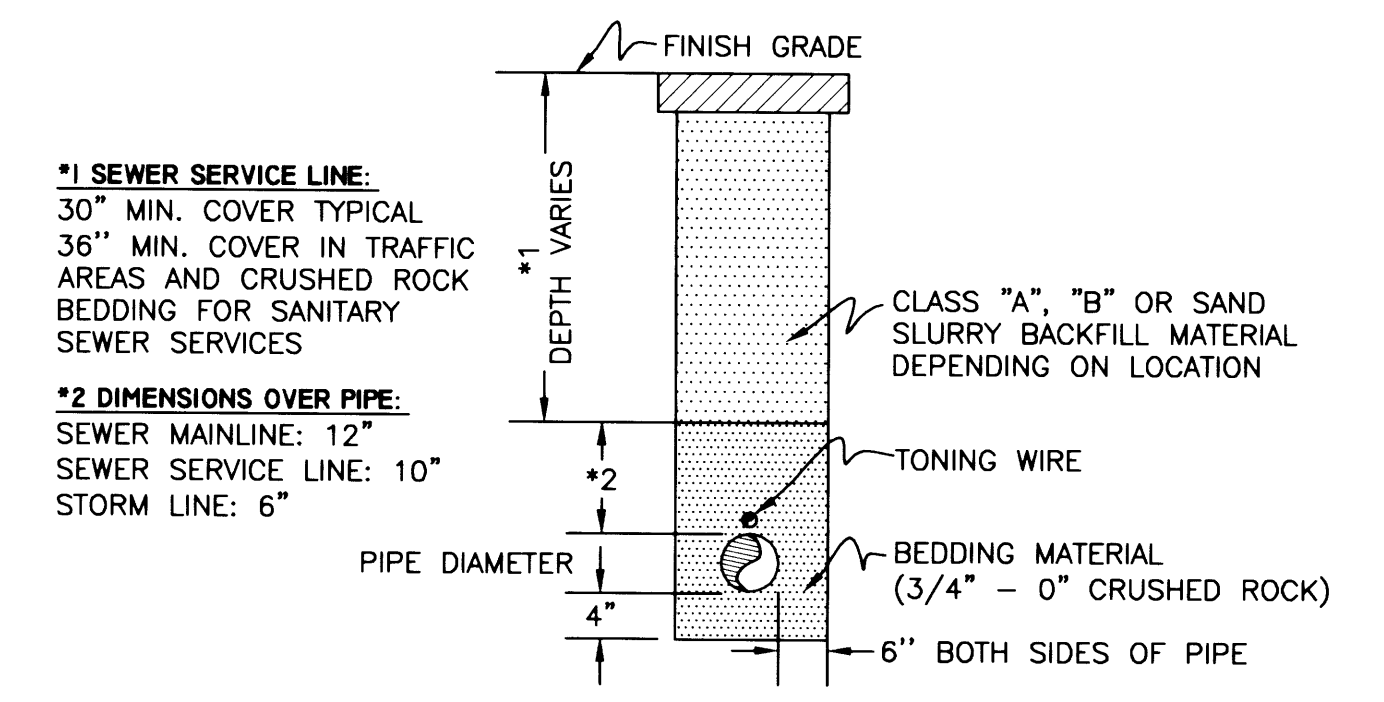
FILED
 Date: 6-28-2005 P.M. 12
 This survey consists of:
 Map:
 Name:
 Corner Pkt:
 DOUGLAS COUNTY
 SURVEYOR



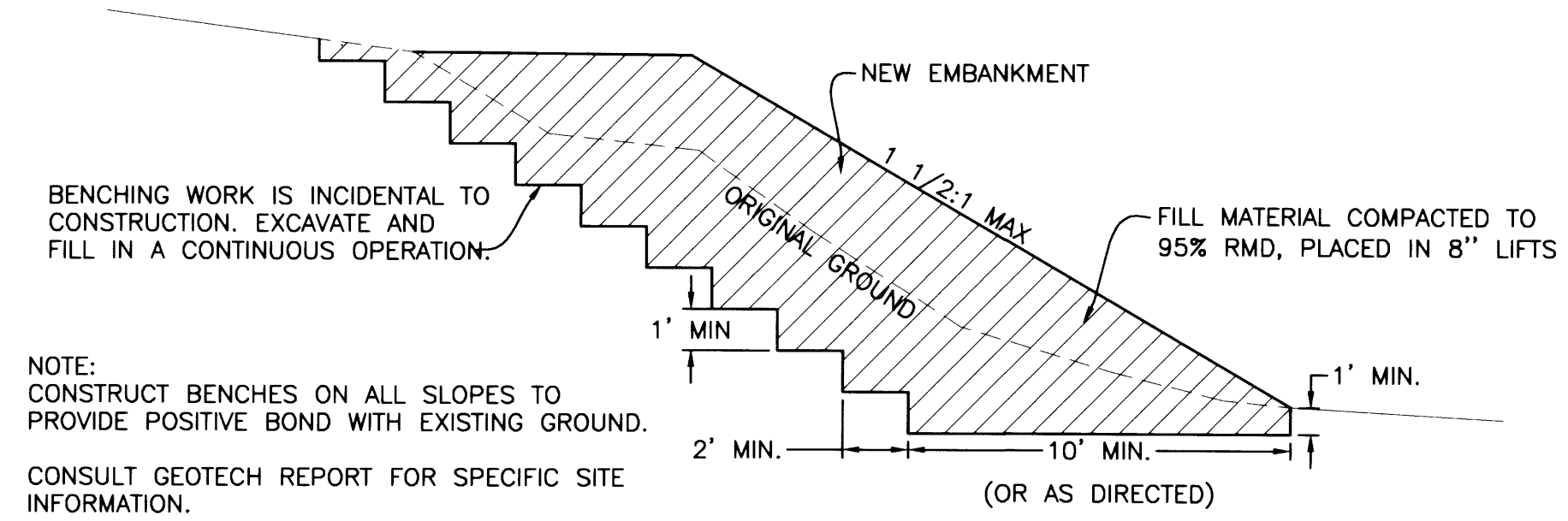
TAFT HEIGHTS DRIVE SECTION



STREET BARRIAGE



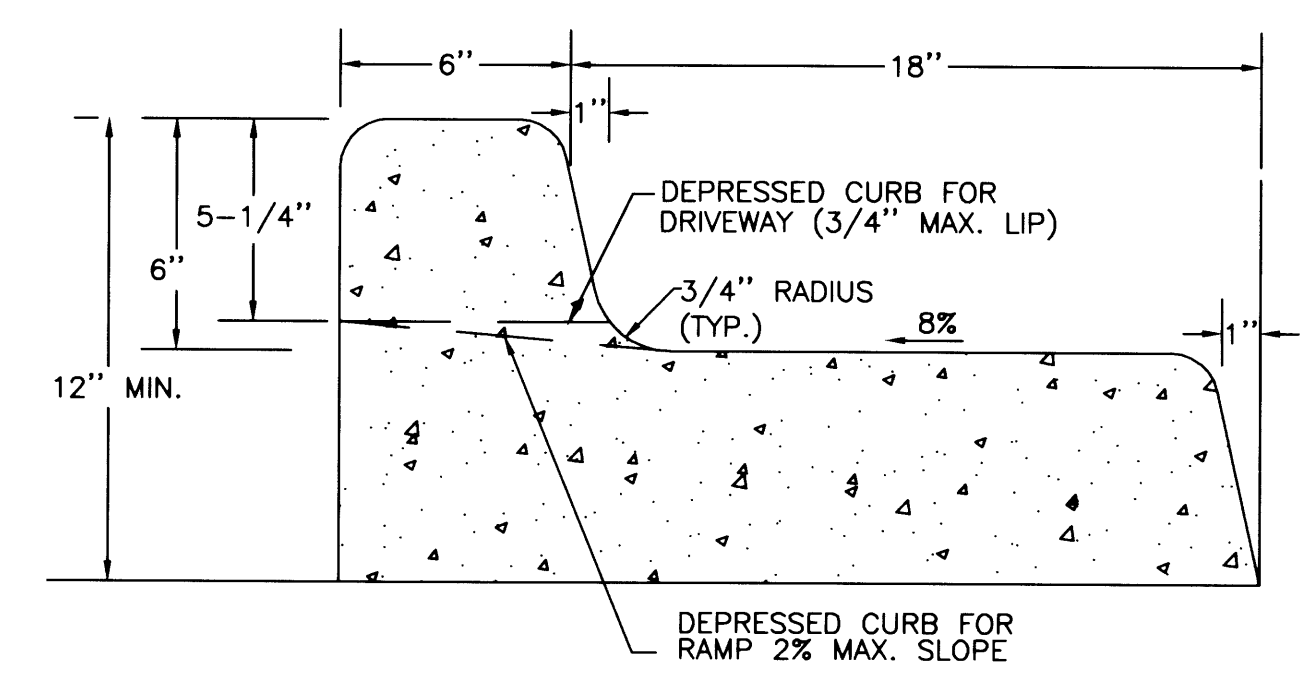
TYPICAL RUSA TRENCH DETAIL



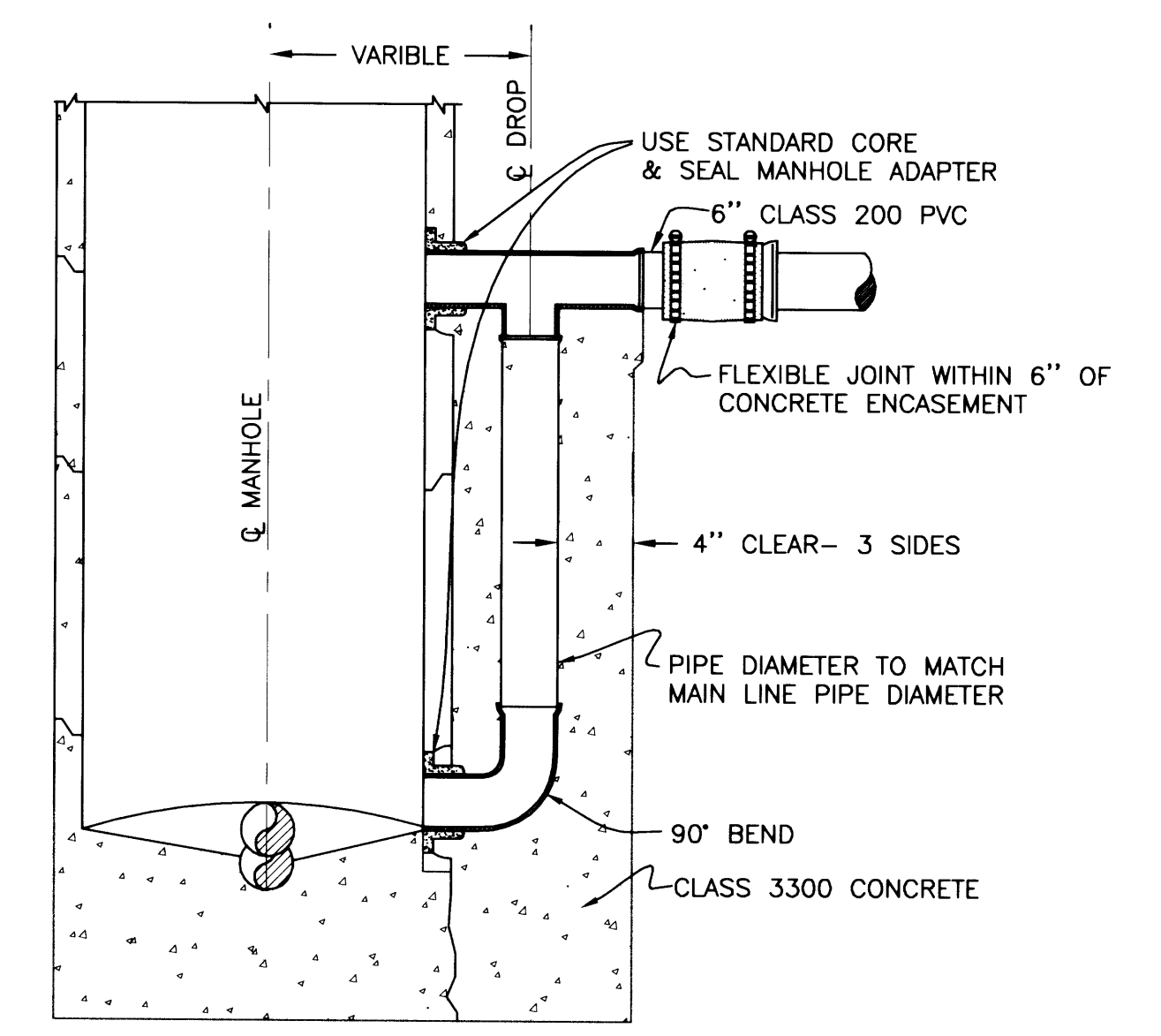
BENCHING WORK IS INCIDENTAL TO CONSTRUCTION. EXCAVATE AND FILL IN A CONTINUOUS OPERATION.

NOTE:
 CONSTRUCT BENCHES ON ALL SLOPES TO PROVIDE POSITIVE BOND WITH EXISTING GROUND.
 CONSULT GEOTECH REPORT FOR SPECIFIC SITE INFORMATION.

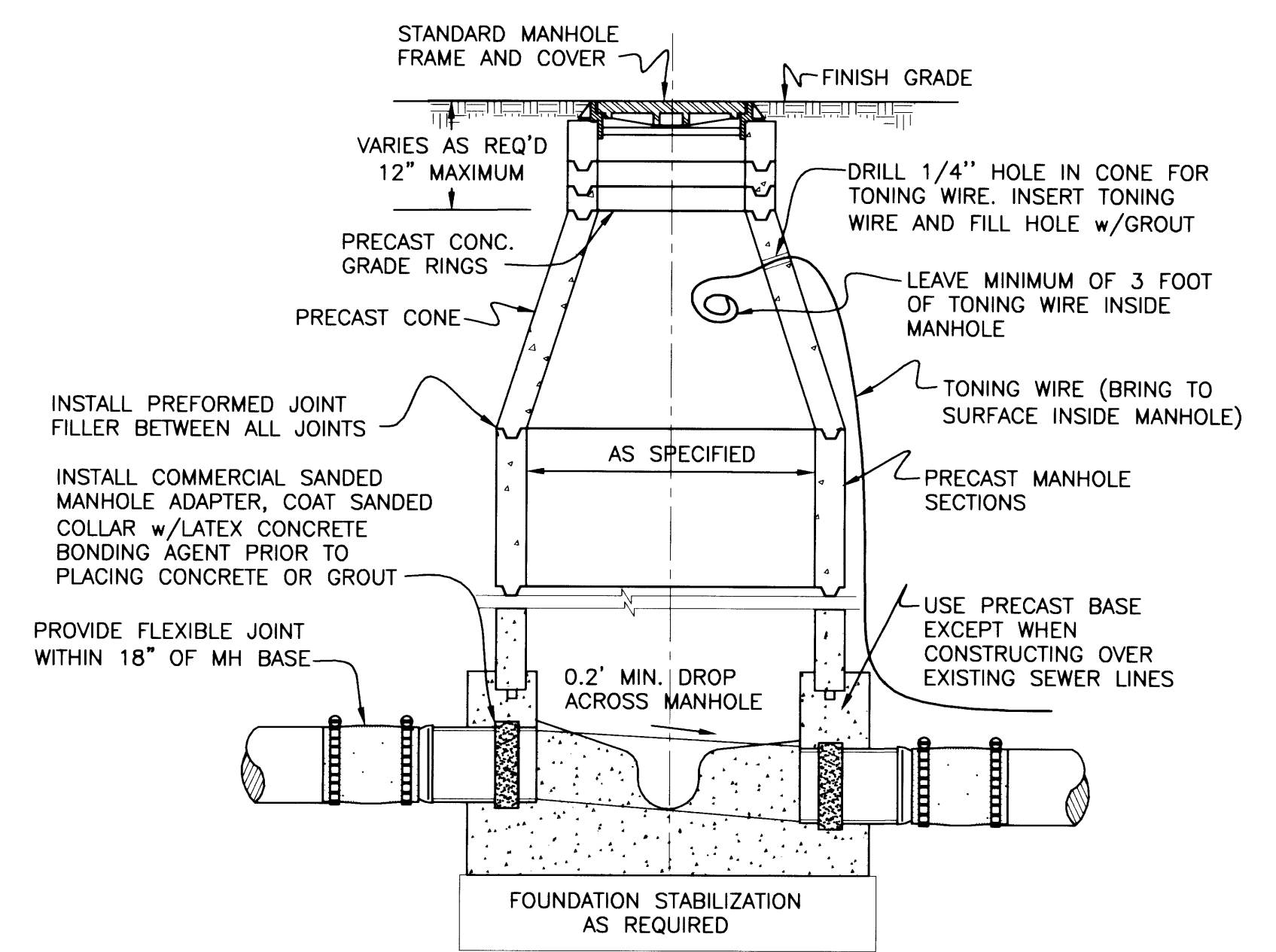
STANDARD EMBANKMENT CONSTRUCTION



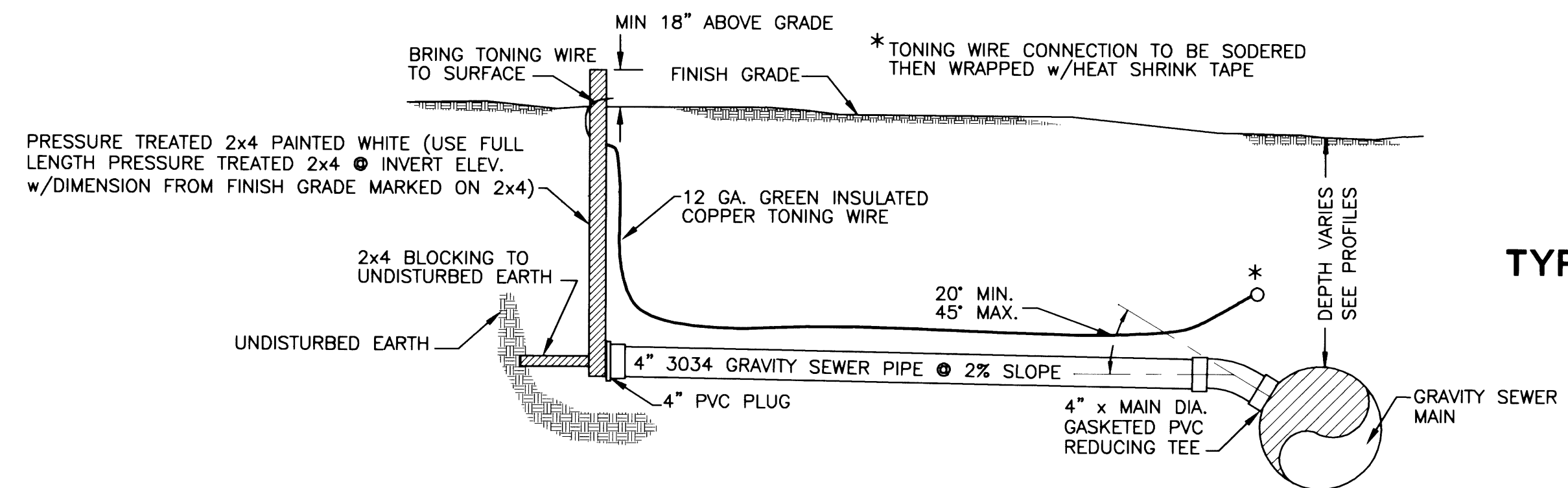
TYPICAL CURB AND GUTTER



TYPICAL OUTSIDE DROP MANHOLE DETAIL



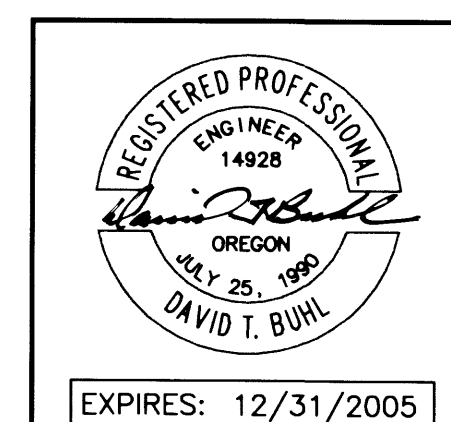
TYPICAL SANITARY MANHOLE DETAIL
(CAST IN PLACE)



TYPICAL 4" SEWER SERVICE CONNECTION DETAIL

CALL BEFORE YOU DIG 1
 ONE CALL: (800) 332-2344
 OAR 952-001-0010 THROUGH
 OAR 952-001-0090

i.e. ENGINEERING
 741 SE Jackson Street
 Roseburg, Oregon 97470
 PHONE (541) 673-0166
 FAX (541) 440-9392
 Email: iemail@ieengineering.com



Rev.	Date	Dwg	Description
1	4/23/03	BWC	AGENCY REVIEWS

Project Name: PHASE 2 TAFT DRIVE SUBDIVISION
 Title: DETAILS
 DES DTB PROJECT NO. 140-7812
 DWG FLB DATE: MARCH 27, 2003
 CHK SNL SCALE: NO SCALE
 APP DTB SHEET: 11 OF 13

Co. Rd. #908 M.P. 0.17 - 0.58

CO. RD. #908 DETAILS

DO NOT DUPLICATE

F908DET4