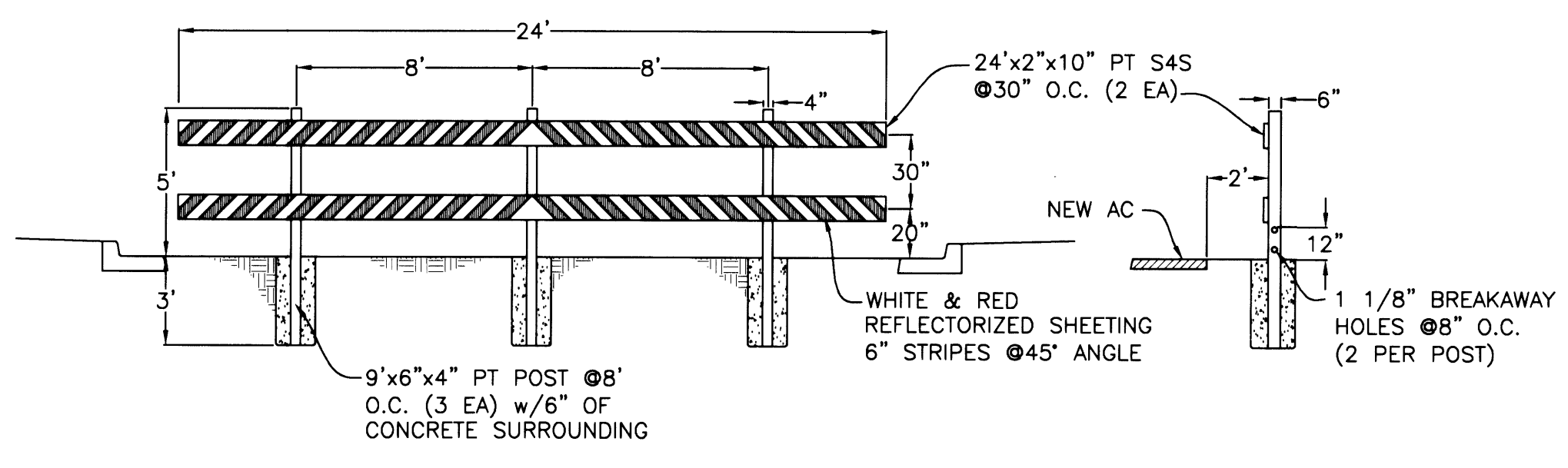
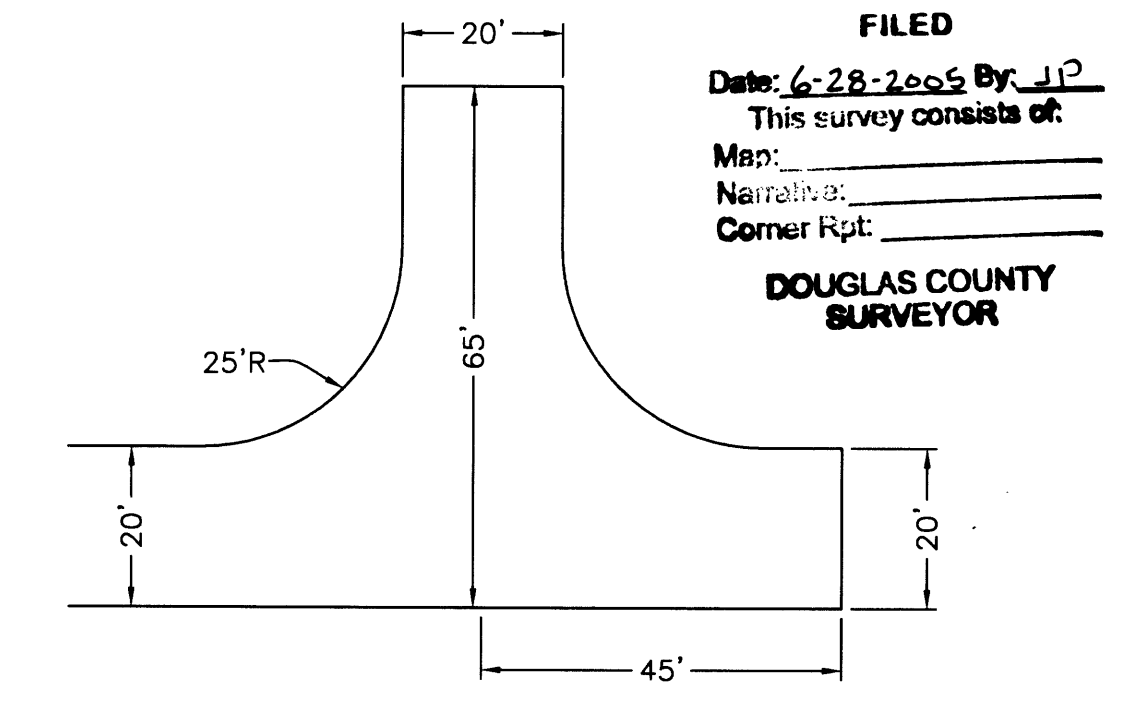


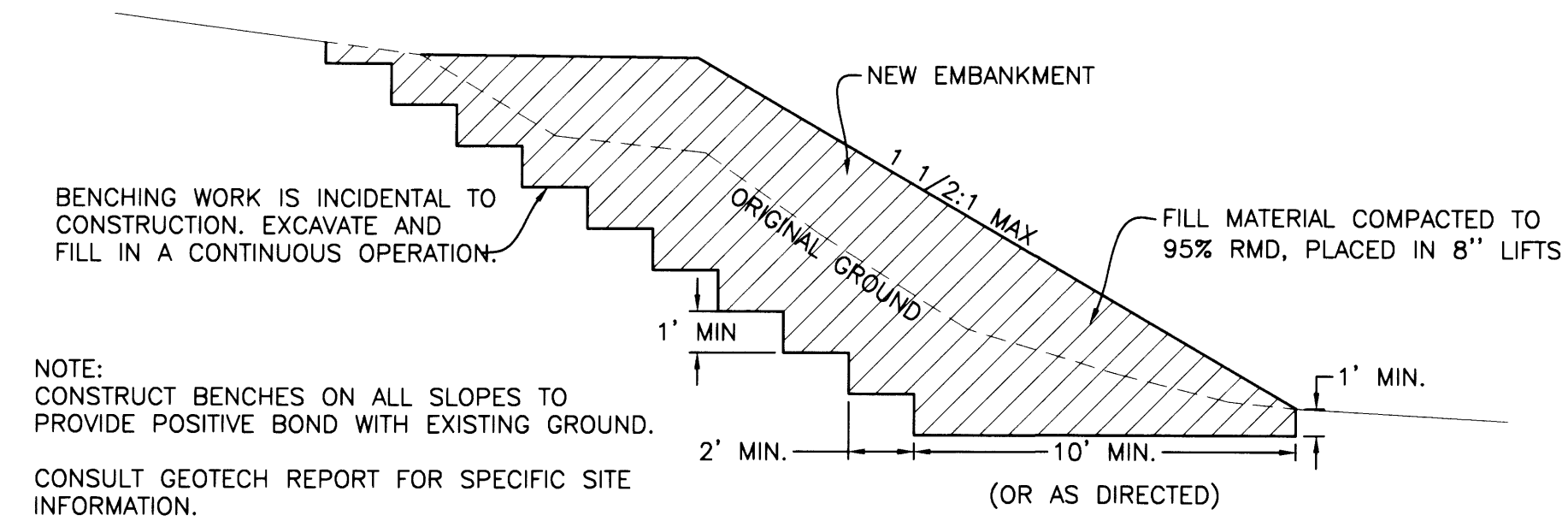
TAFT HEIGHTS DRIVE SECTION



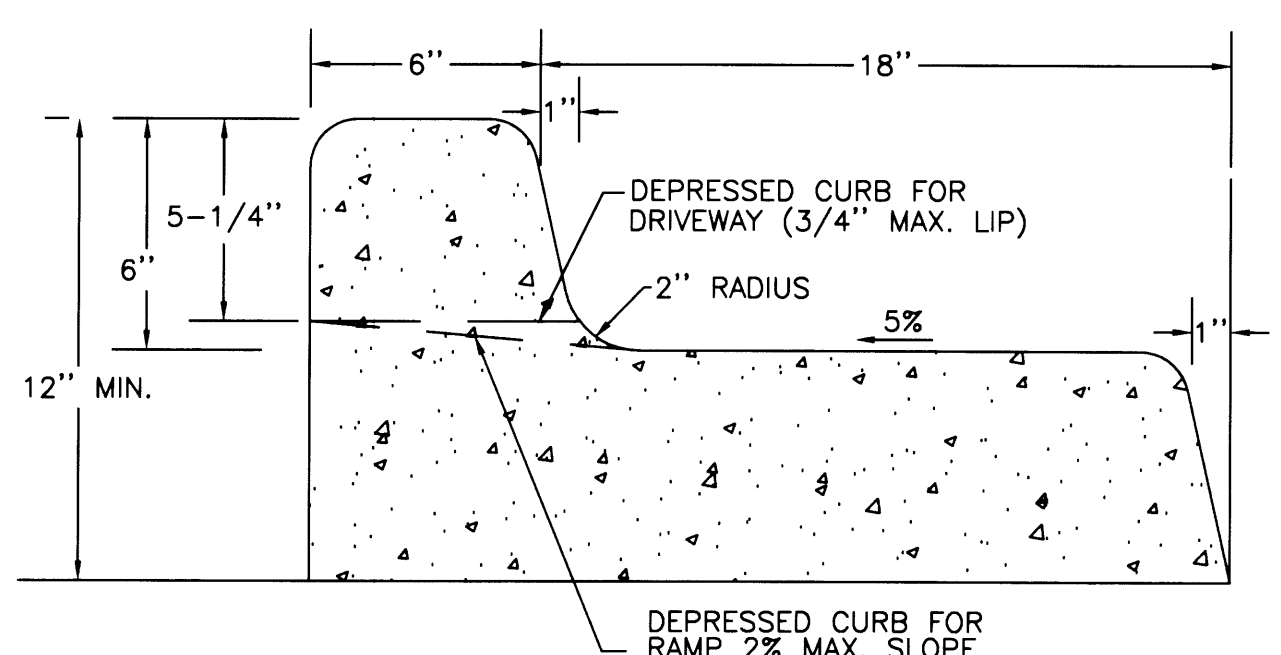
STREET BARRICADE



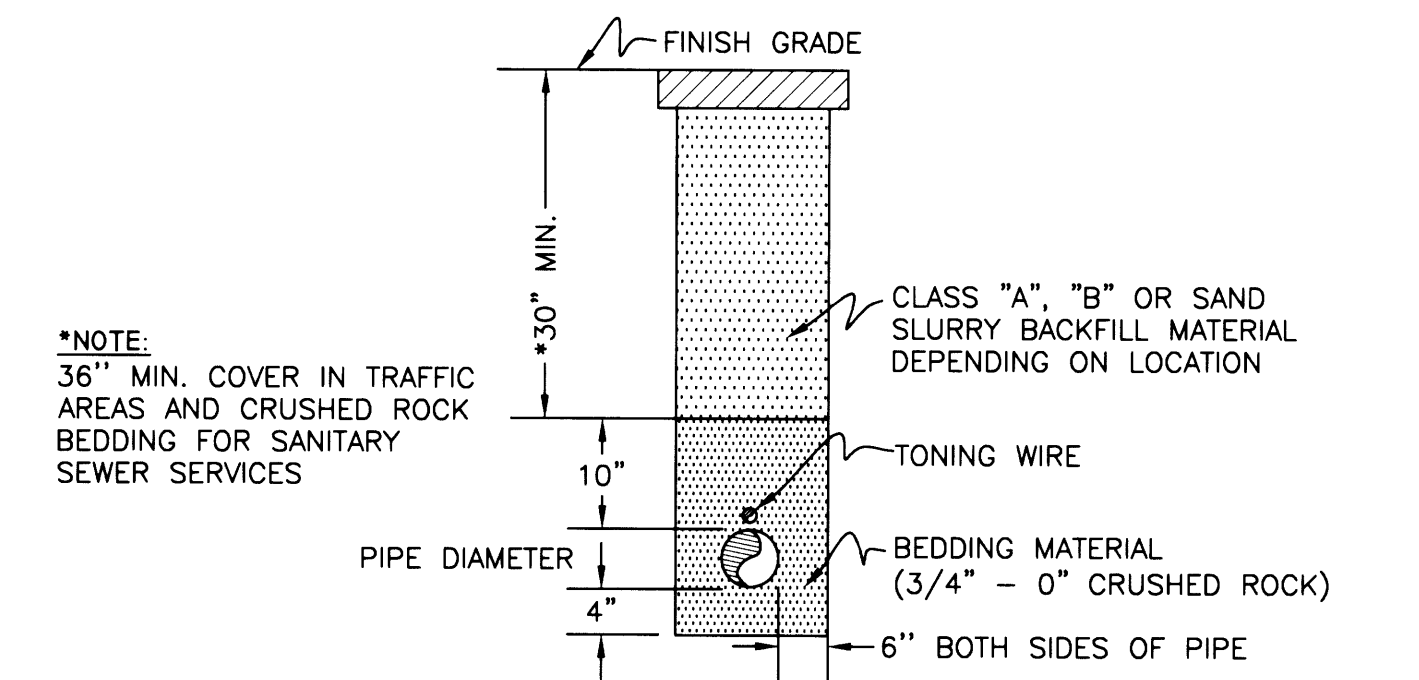
FIRE TRUCK TURN AROUND DETAIL



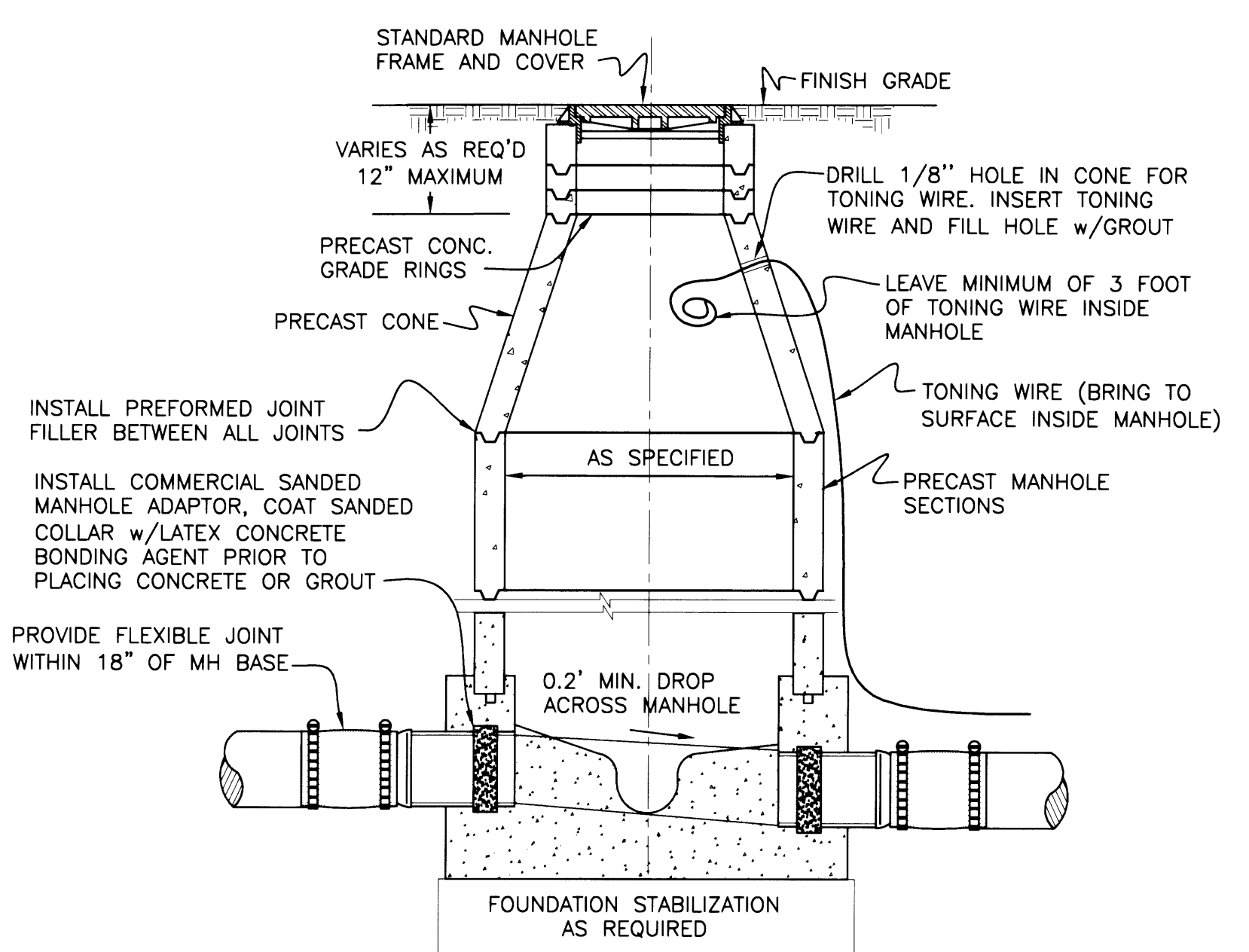
STANDARD EMBANKMENT CONSTRUCTION



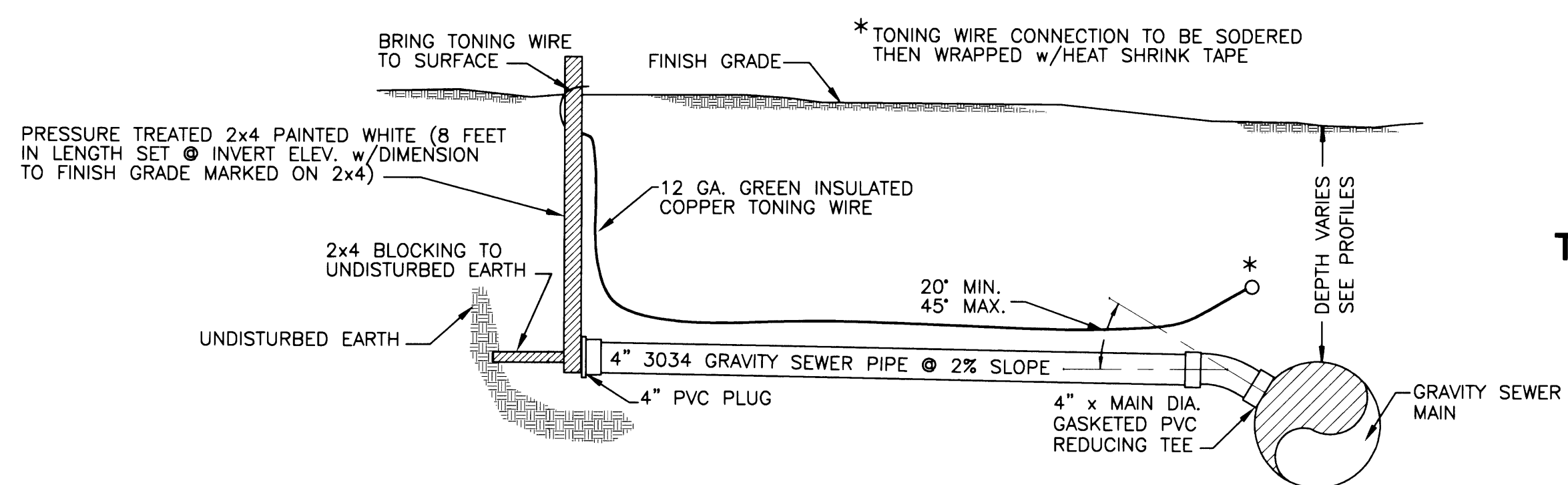
TYPICAL CURB AND GUTTER



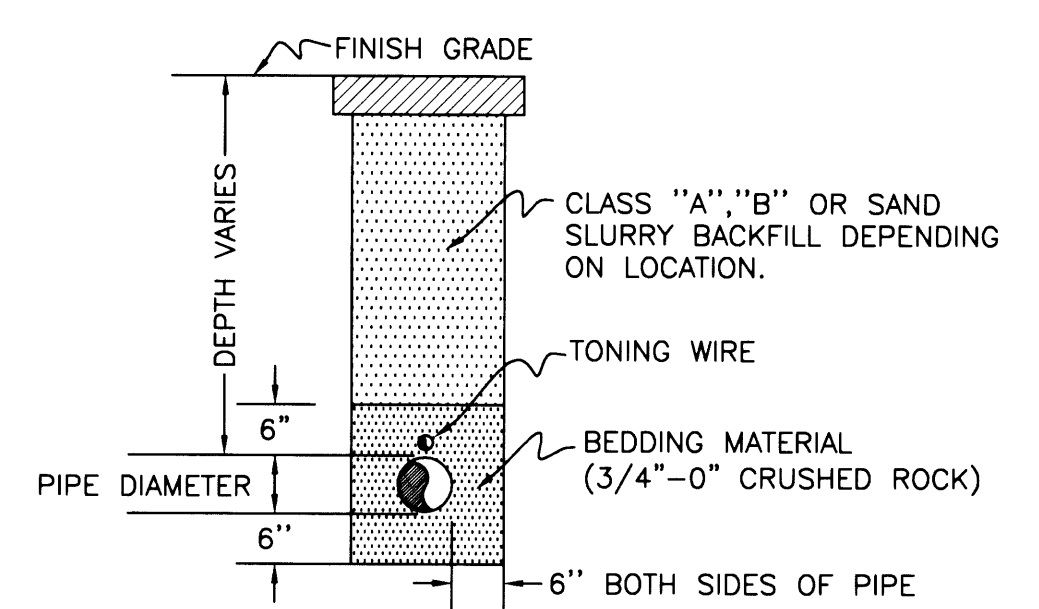
TYPICAL SEWER SERVICE LINE TRENCH DETAIL



TYPICAL SANITARY MANHOLE DETAIL (CAST IN PLACE)



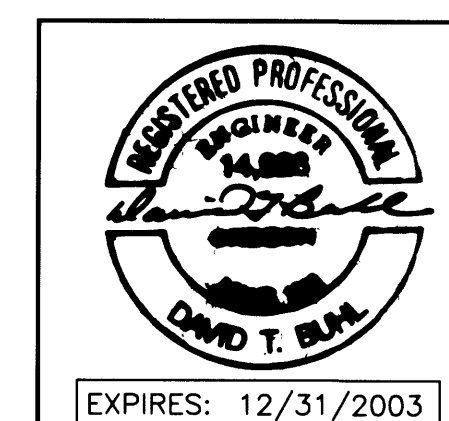
TYPICAL 4" SEWER SERVICE CONNECTION DETAIL



TYPICAL STORM LINE TRENCH DETAIL

CALL BEFORE YOU DIG!  
 ONE CALL: (800) 332-2344  
 OAR 952-001-0010 THROUGH  
 OAR 952-001-0090

**i.e.** ENGINEERING  
 741 SE Jackson Street  
 Roseburg, Oregon 97470  
 PHONE (541) 673-0166  
 FAX (541) 440-9392  
 jemail@ieengineering.com



Rev.	Date	Dwg	Description
1	11/7/02	BWC	AGENCY REVIEWS
2	8/12/03	NRL	AS-BUILTS

Project Name: TAFT DRIVE SUBDIVISION

Title: PHASE 1A DETAILS

DES DTB	PROJECT NO. 140-78
DWG BWC	DATE: OCTOBER 23, 2002
CHK SNL	SCALE: NO SCALE
APP DTB	SHEET: 6 OF 8

Co.Rd. # 908 M.P. 0.00 - 0.17

DO NOT DUPLICATE

R908DET1