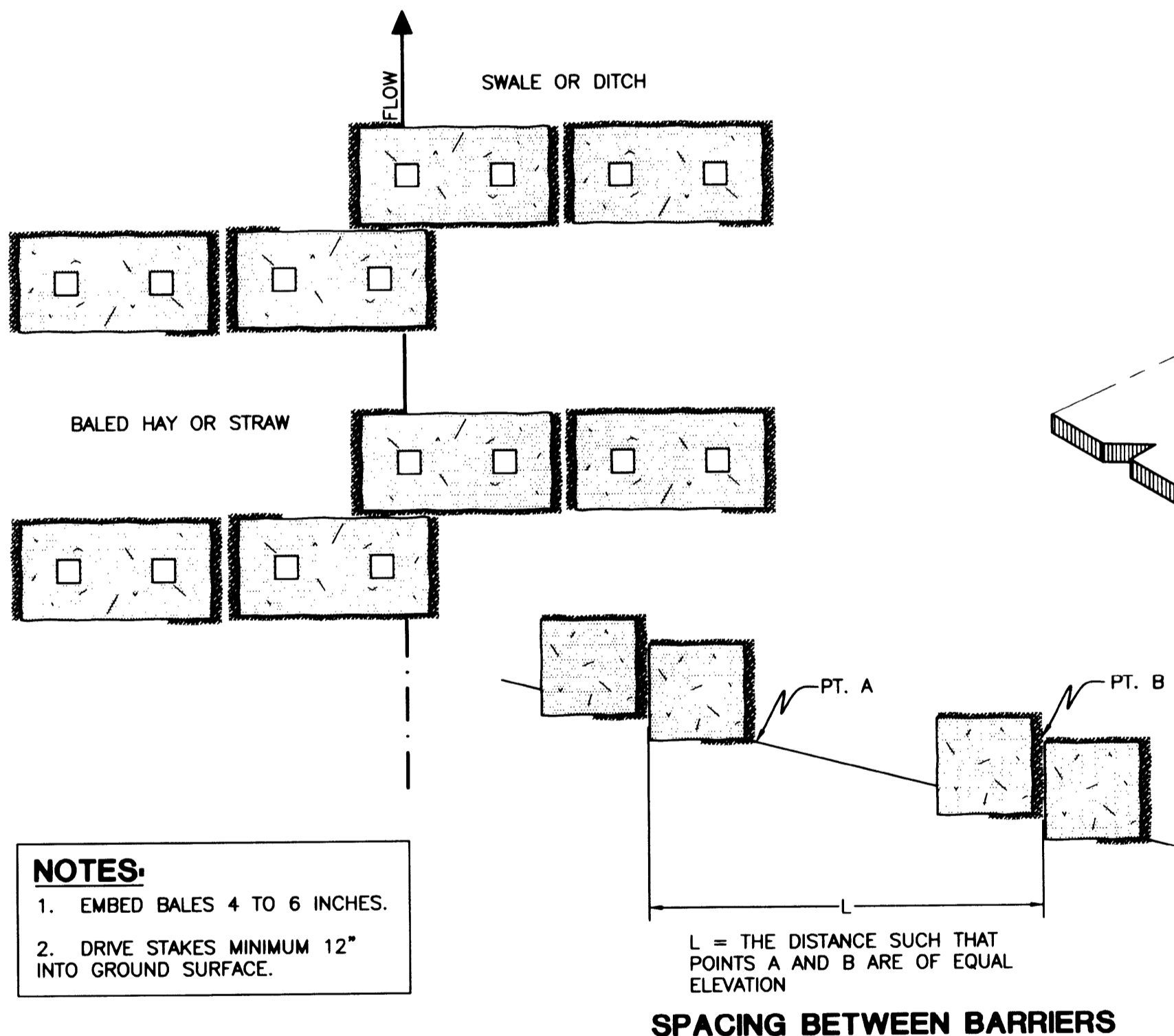
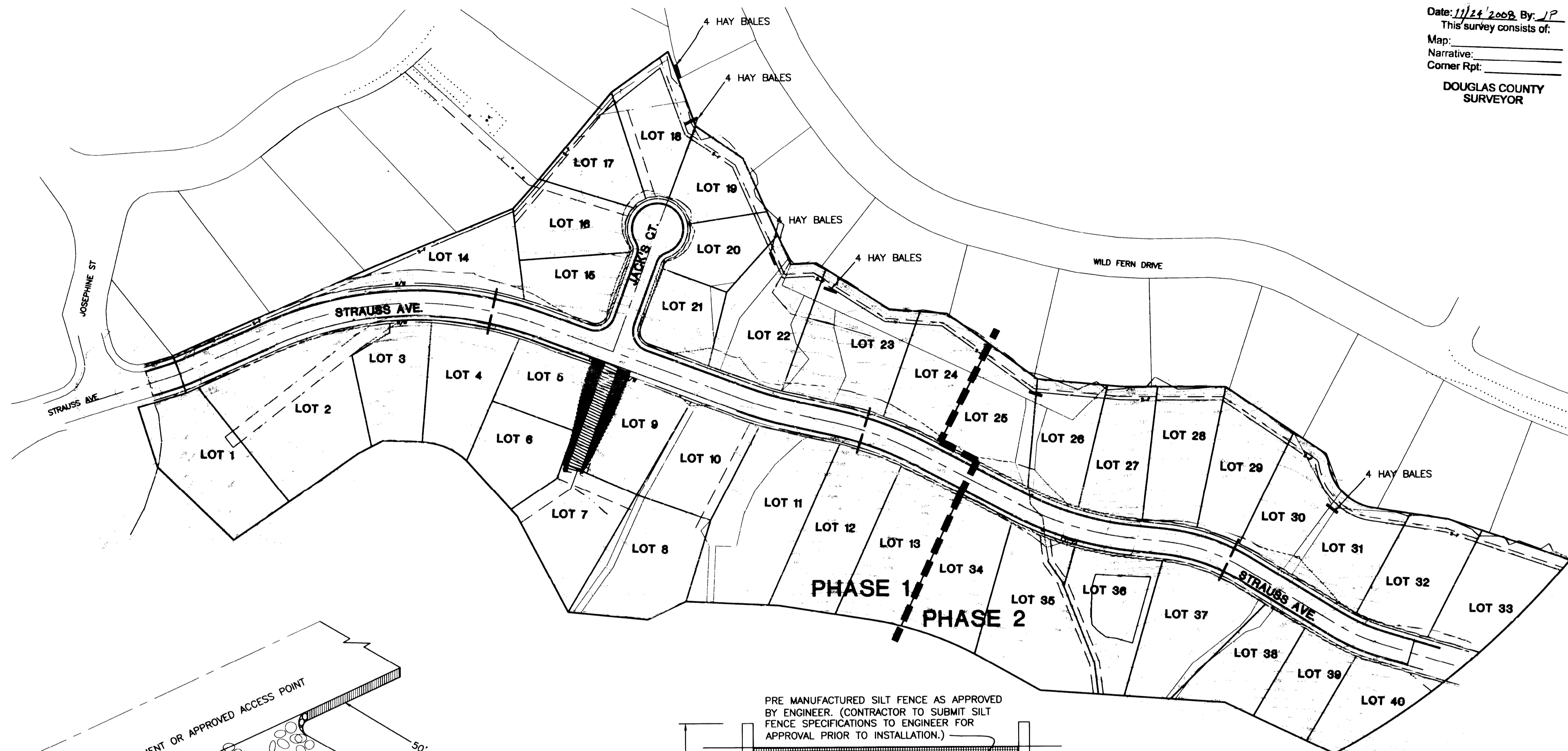
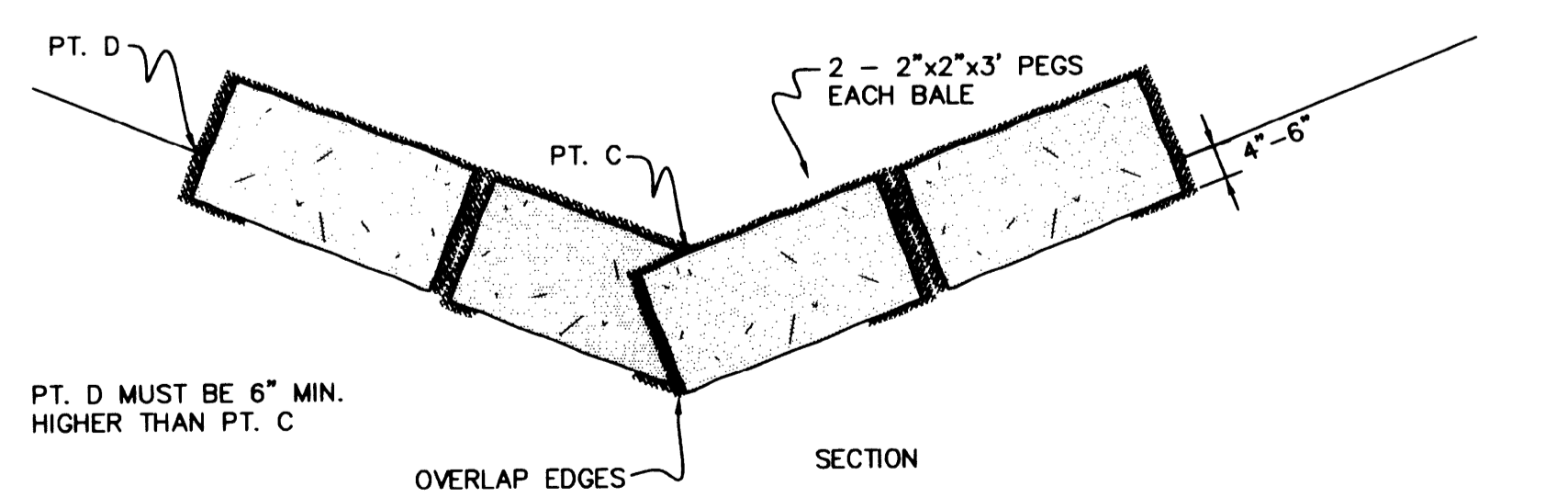


GENERAL EROSION CONTROL NOTES

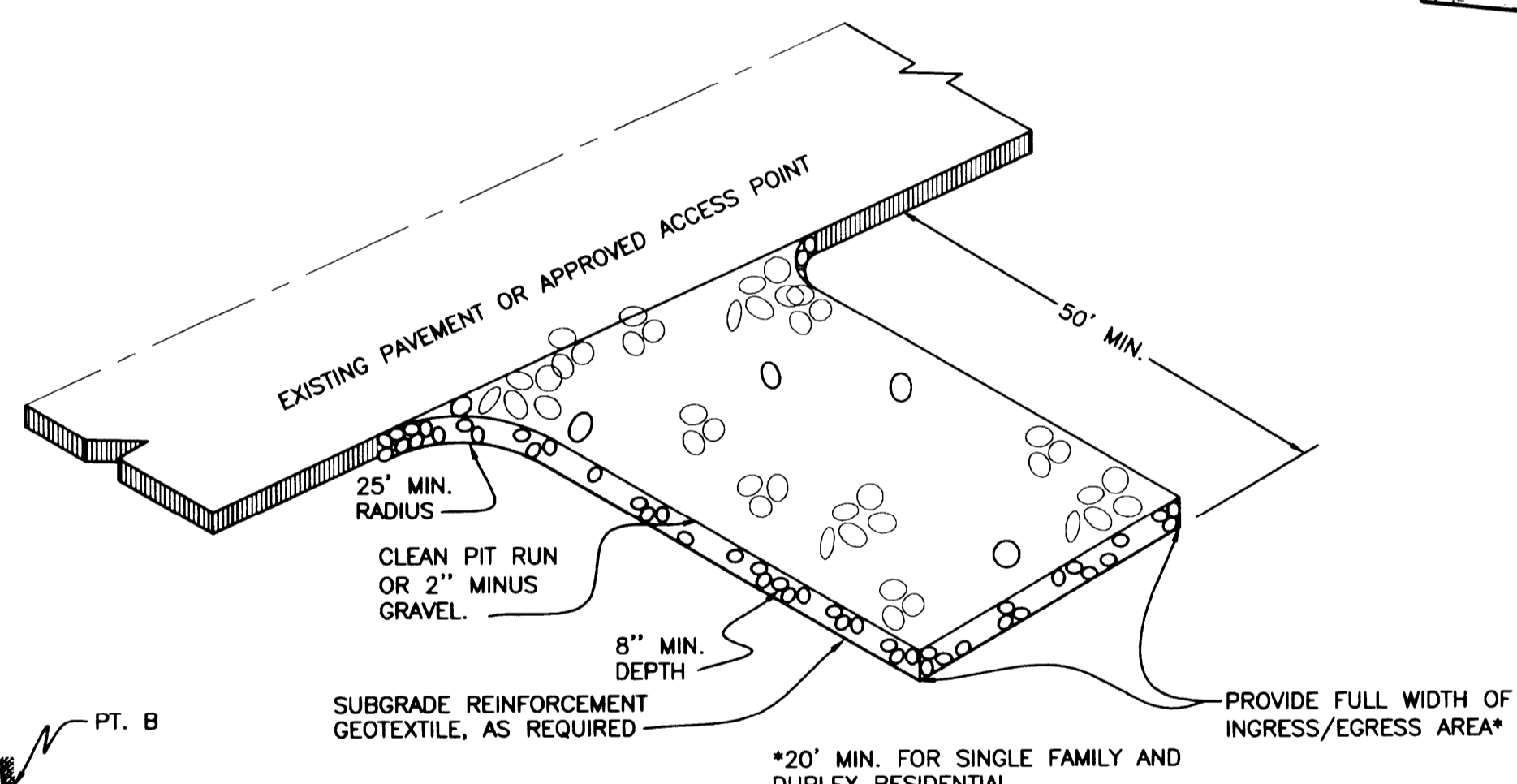
- CONSTRUCTION AREAS WITHIN SUBDIVISION BOUNDARIES SHALL BE PROTECTED FROM EROSION.
- REUSED SPOIL MATERIAL SHALL BE PLACED SO AS NOT TO IMPEDE NATURAL DRAINAGE AND SHALL BE SLOPED TO DRAIN WITH SIDE SLOPES 3:1 OR FLATTER.
- SURFACES SHALL BE SEALED BY THE USE OF RUBBER Tired EARTH MOVING EQUIPMENT.
- TEMPORARY DRAINAGE FACILITIES SHALL BE PROVIDED, WHEN REQUIRED, TO ROUTE FLOWS AROUND CONSTRUCTION AREAS.
- THE LOCATION OF ALL EROSION CONTROL FEATURES ON THESE PLANS ARE APPROXIMATE ONLY. ACTUAL LOCATIONS ARE TO BE DETERMINED IN THE FIELD BY THE FIELD ENGINEER.
- THE SITE SHALL BE INSPECTED BY THE CONTRACTOR AT LEAST MONTHLY DURING THE WINTER MONTHS AND AFTER EACH MAJOR RAINFALL. AT THIS TIME SILT SHALL BE REMOVED WHERE NECESSARY AND ANY DAMAGED EROSION CONTROL FEATURES SHALL BE REPAIRED.
- STOCKPILE IN A DRY AND ACCESSIBLE LOCATION AND SECURELY COVER WITH PLASTIC A MINIMUM OF 24 STRAW BALES FOR EMERGENCY USE.
- IF EROSION CONTROL FEATURES ARE REMOVED TO ALLOW CONSTRUCTION TO CONTINUE THEY SHALL BE REPLACED WHEN RAIN IS IMMINENT OR PREDICTED AND AT THE END OF THE WORKDAY EACH FRIDAY.
- STABILIZING CONSTRUCTION ENTRANCES SHALL BE INSTALLED AT THE BEGINNING OF CONSTRUCTION AND MAINTAINED FOR THE DURATION OF THE PROJECT.
- FINAL SEEDING SHALL OCCUR IMMEDIATELY AFTER EXCAVATION IS COMPLETED.
- FILL SLOPES OF 2:1 TO 4:1 SHALL BE TRACK-WALKED PRIOR TO FINAL SEEDING.
- TRUCKS TRANSPORTING SATURATED SOILS FROM THE SITE SHALL BE WELL SEALED SO THAT WATER SEEPING FROM THE SOIL CANNOT DRAIN FROM THE VEHICLE. IF WELL SEALED TRUCKS ARE NOT PROVIDED, THE LOADED TRUCK SHALL REMAIN IN PLACE UNTIL THE DRIPPAGE FROM THE TRUCK DOES NOT EXCEED ONE GALLON PER HOUR BEFORE LEAVING THE SITE.



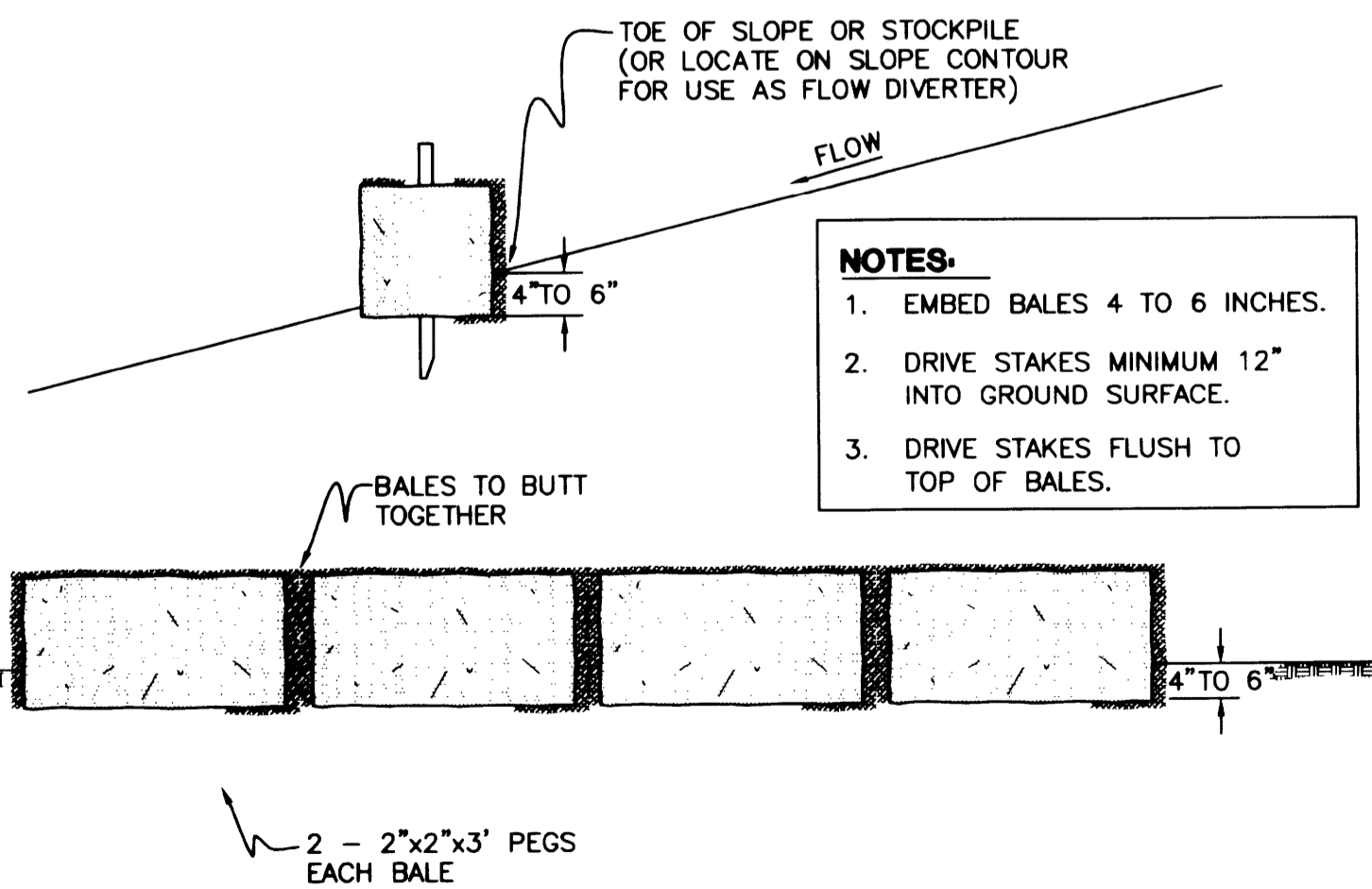
- NOTES:**
- EMBED BALES 4 TO 6 INCHES.
 - DRIVE STAKES MINIMUM 12" INTO GROUND SURFACE.



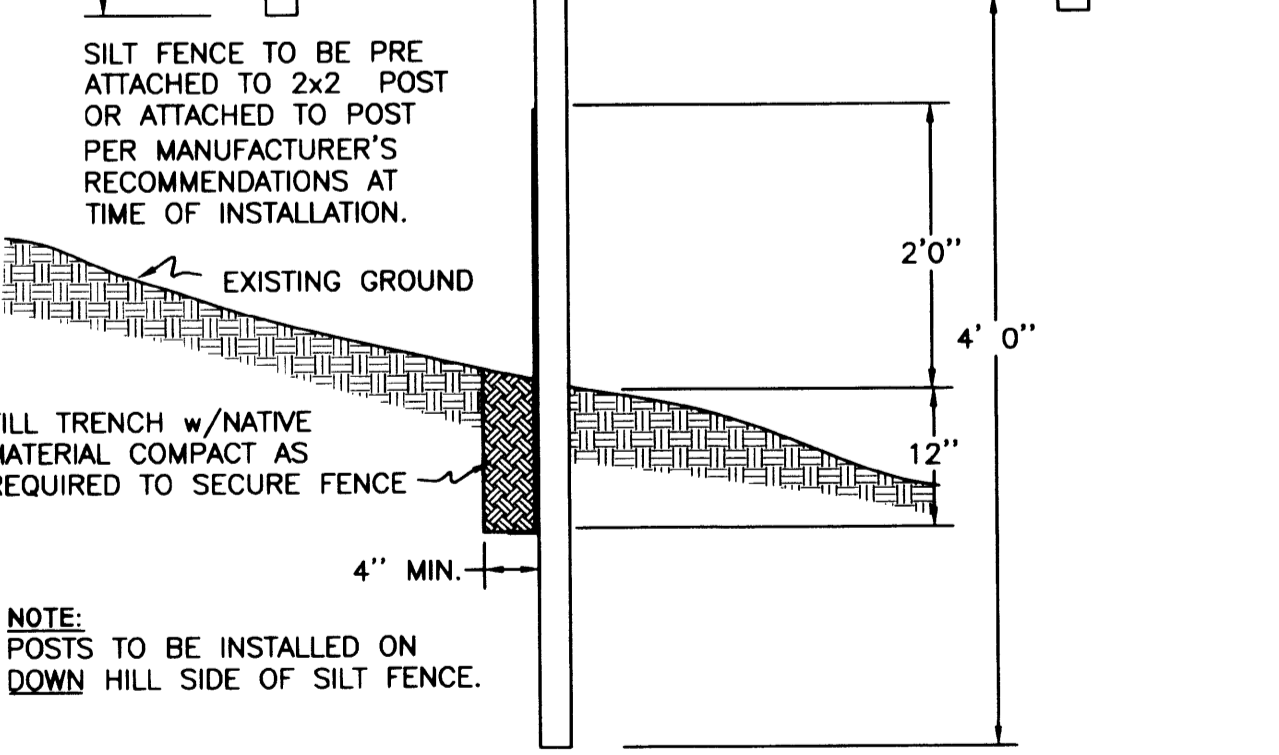
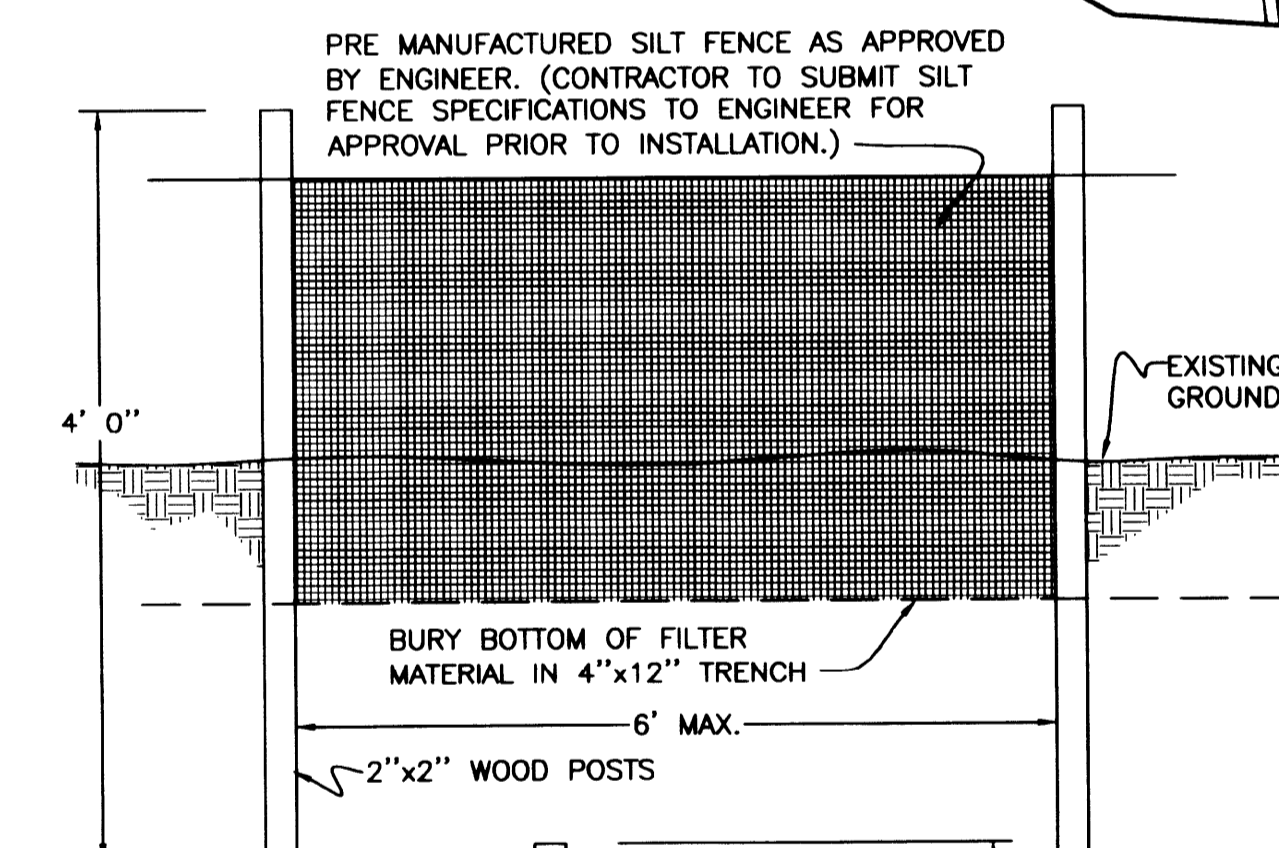
STRAW BALE SEDIMENT BARRIERS IN DITCHES OR SWALES



GRAVEL CONSTRUCTION ENTRANCE



STRAW BALE SEDIMENT BARRIER

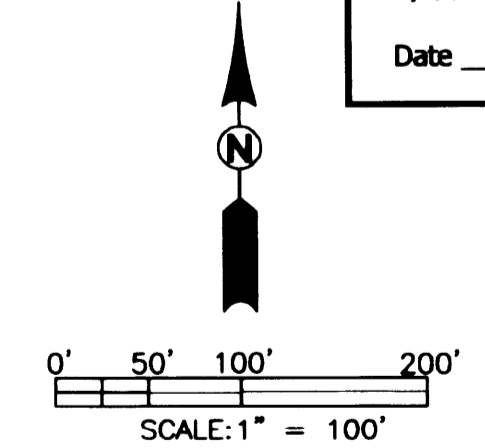


SILT FENCE INSTALLATION DETAIL

CITY OF ROSEBURG
 Public Works Dept.
 Development Plan Review

Approved for Development Approved with Conditions

By: _____
 Date: _____



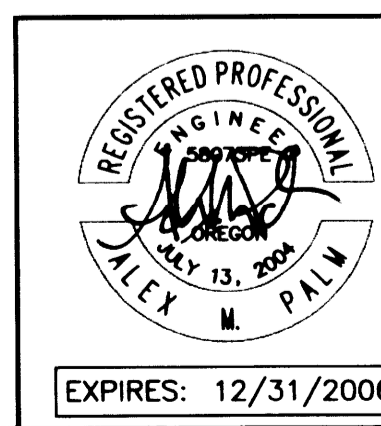
i.e. ENGINEERING
 505 SE Main Street
 Roseburg, Oregon 97470
 PHONE (541) 673-0166
 FAX (541) 440-9392
 email@ieengineering.com

Project Name: SADDLE BUTTE ESTATES 9TH ADDITION

Title: EROSION CONTROL PLAN AND DETAILS

Rev.	Date	Dwg	Description
1	9/10/04	STH	R.U.S.A. COMMENTS
2	9/14/04	STH	D.C. ENGINEERING COMMENTS
3	11/8/04	ANV	ROSEBURG WATER COMMENTS
4	3/24/06	NRJ	AS-BUILTS

DES AMP: PROJECT NO. 1968-05
 DWG BWC: DATE: 8/11/04
 CHK SNL: SCALE: AS SHOWN
 APP SNL: SHEET: 2 OF 11



R901ALEC