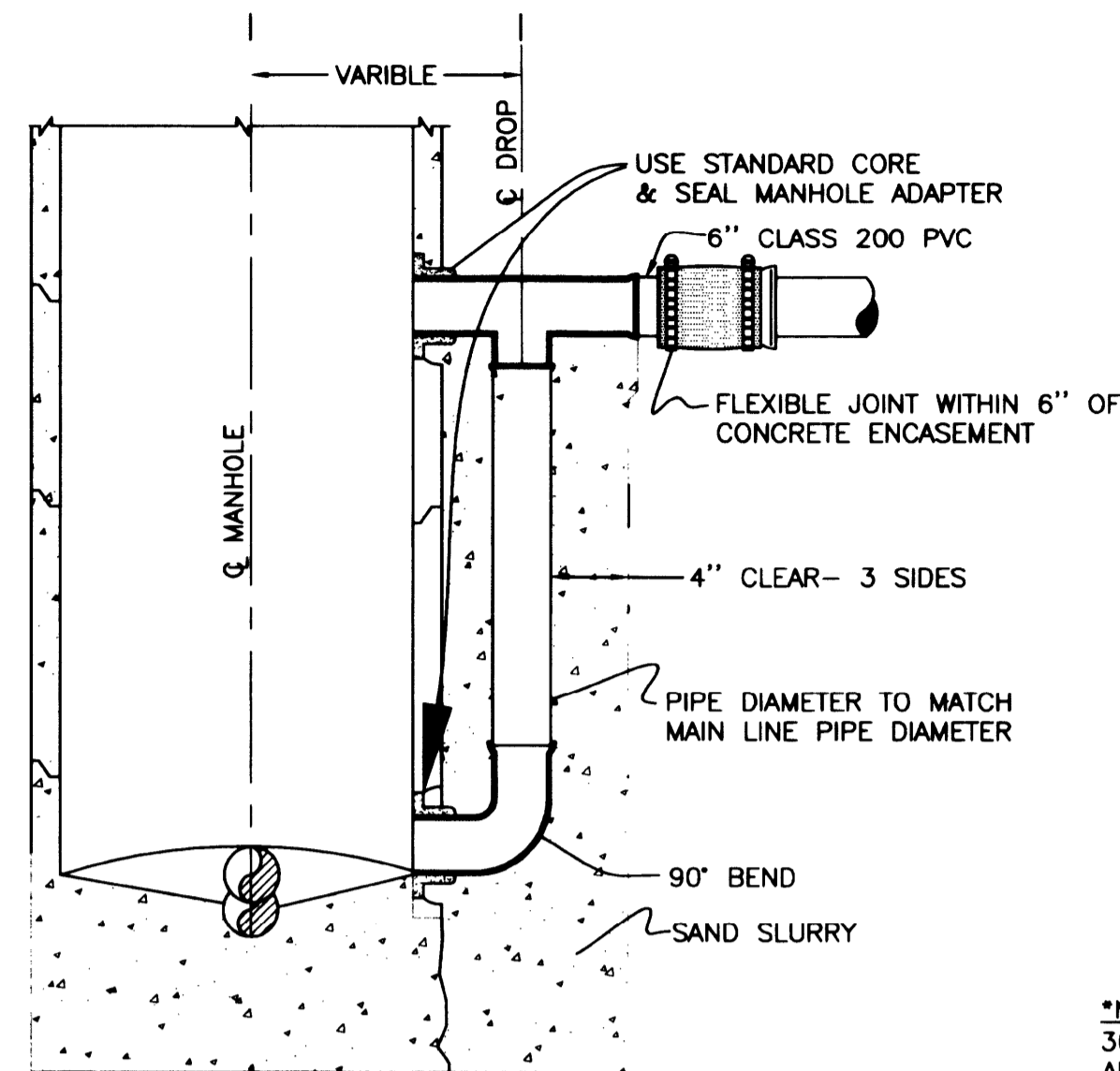
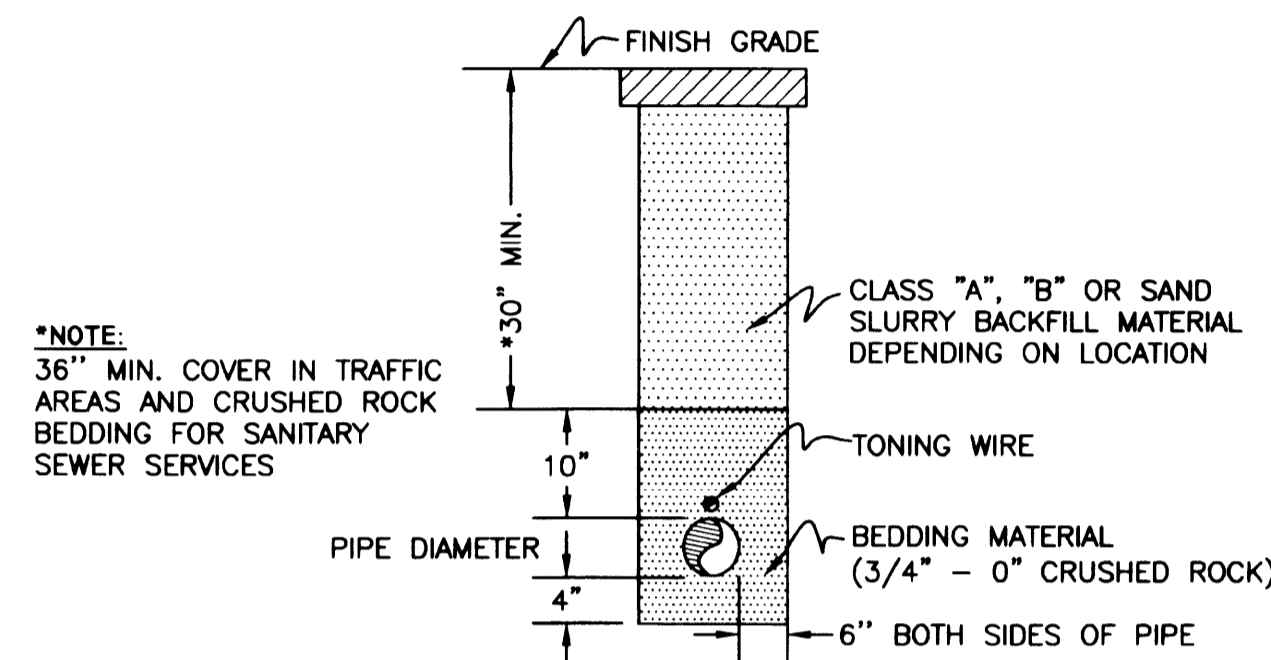


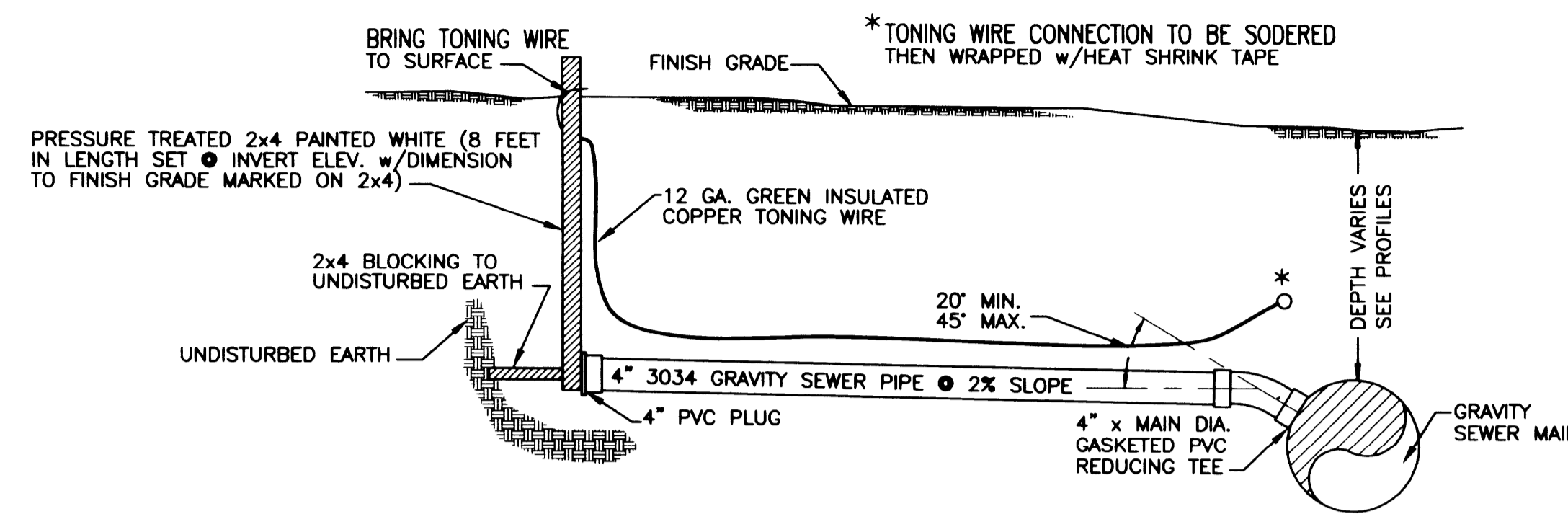
TYPICAL SANITARY MANHOLE DETAIL
(CAST IN PLACE)



TYPICAL OUTSIDE DROP MANHOLE DETAIL

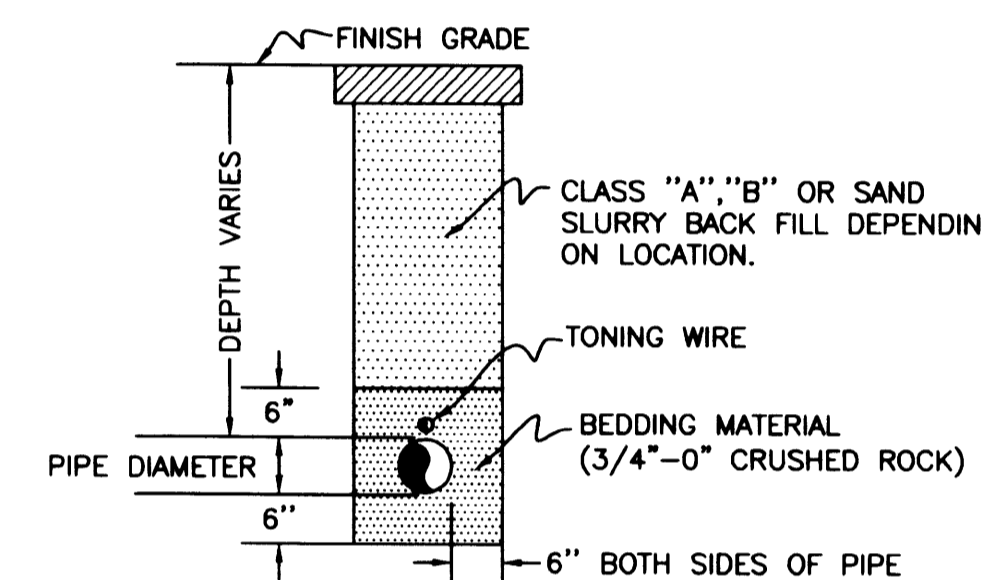


TYPICAL SEWER SERVICE LINE TRENCH DETAIL

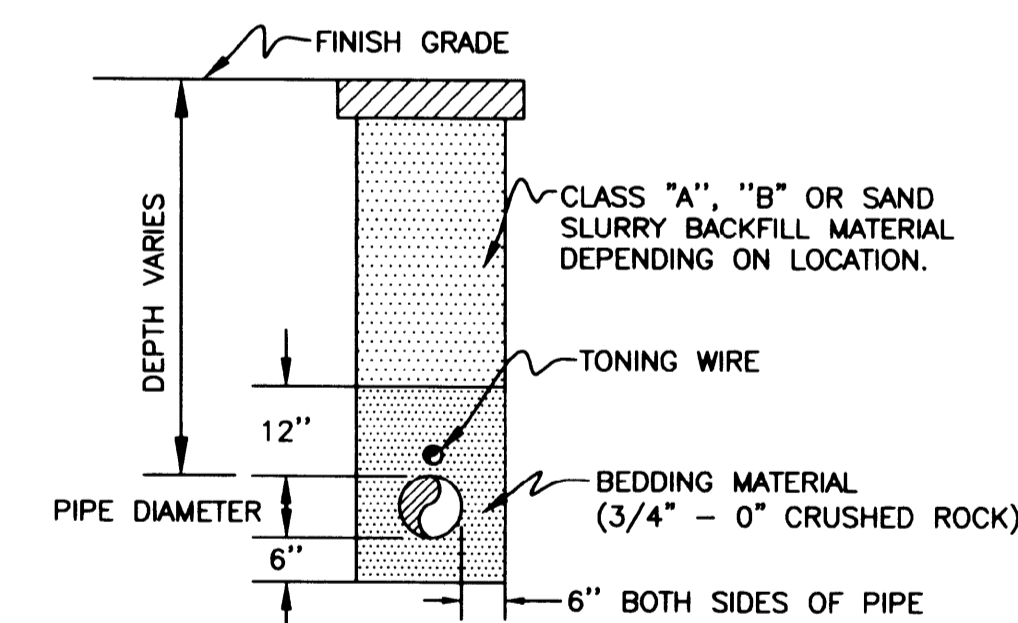


TYPICAL 4" SEWER SERVICE CONNECTION DETAIL

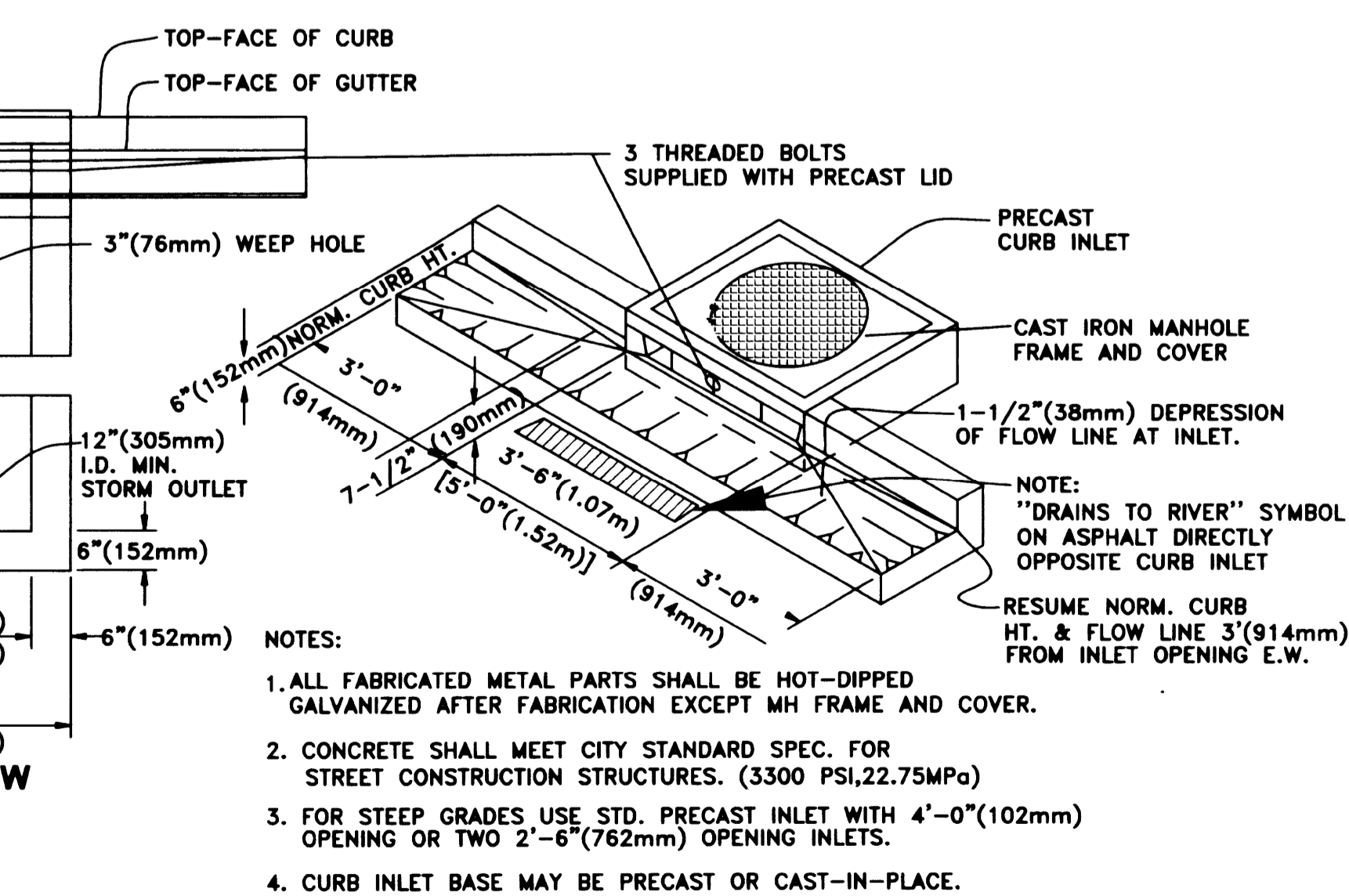
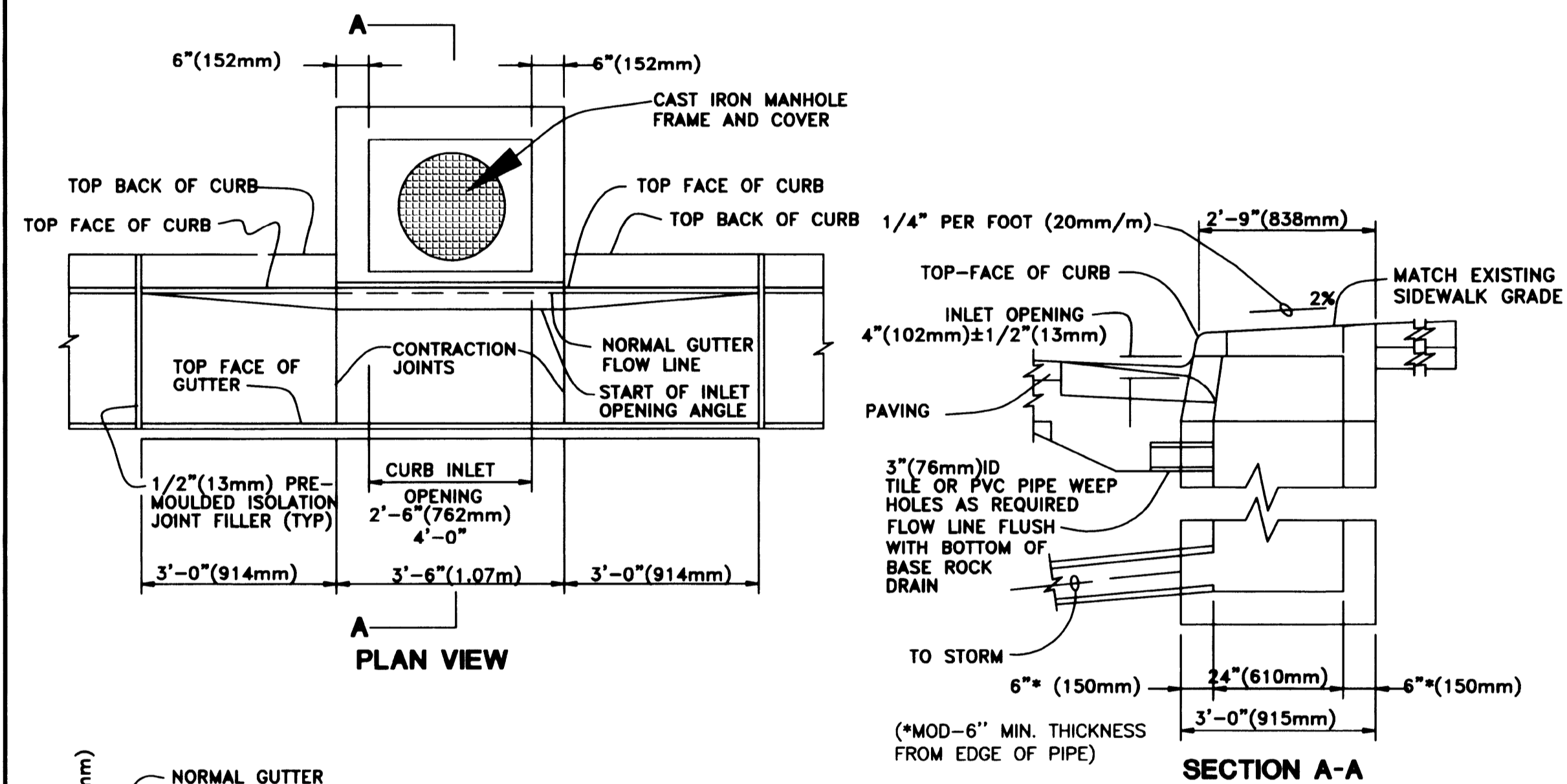
FILED
Date: 11/21/2008 By: JP
This survey consists of:
Map: _____
Narrative: _____
Corner Rpt: _____
DOUGLAS COUNTY
SURVEYOR



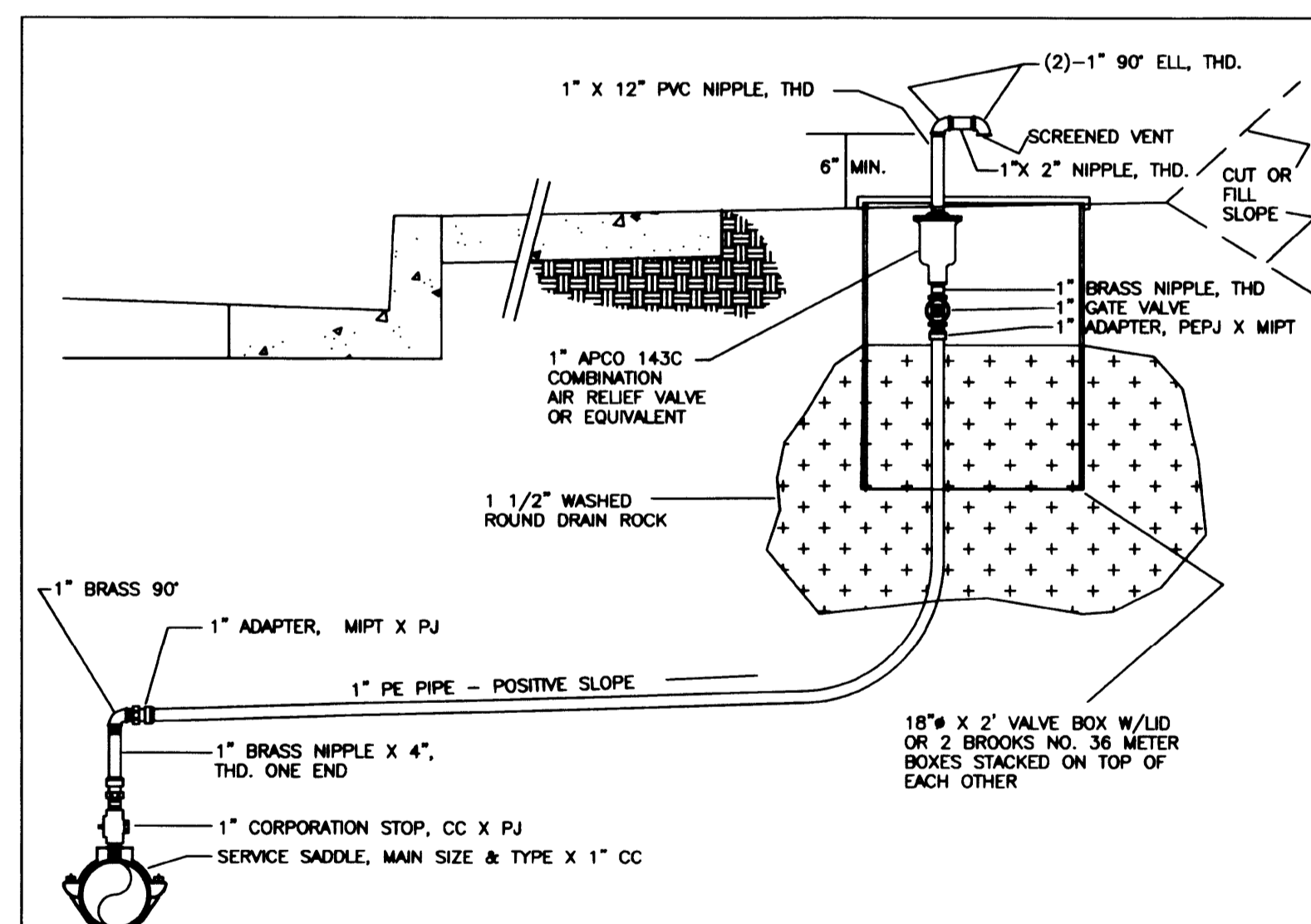
TYPICAL STORM LINE TRENCH DETAIL



TYPICAL SEWER MAINLINE TRENCH DETAIL



TYPICAL CG-3 INLET DETAIL



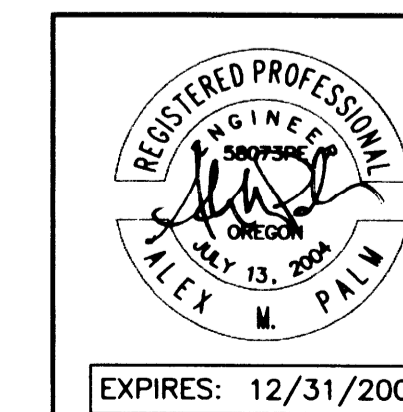
TYPICAL 1" COMBINATION AIR RELEASE VALVE ASSEMBLY

CITY OF ROSEBURG WATER DEPARTMENT DATE: 10/13/1983 STANDARD DWG. NO. 107A
REV: 1/25/2000

CITY OF ROSEBURG
Public Works Dept.
Development Plan Review

Approved for Development Approved with Conditions

By: _____
Date: _____



Rev.	Date	Dwg	Description
1	9/10/04	STH	R.U.S.A. COMMENTS
2	9/14/04	STH	D.C. ENGINEERING COMMENTS
3	11/8/04	ANV	ROSEBURG WATER COMMENTS
4	3/24/08	NRJ	AS-BUILTS

i.e. ENGINEERING
505 SE Main Street
Roseburg, Oregon 97470
PHONE (541) 673-0166
FAX (541) 440-9392
Email: iengineering.com

Project Name:
**SADDLE BUTTE ESTATES
9TH ADDITION**

Title: **DETAILS**

DES AMP PROJECT NO. 1968-05
DWG BWC DATE: AUGUST 18, 2004
CHK SNL SCALE: AS SHOWN
APP SNL SHEET: 11 OF 11

Co. Rd. # 901A & # 901L

DO NOT DUPLICATE