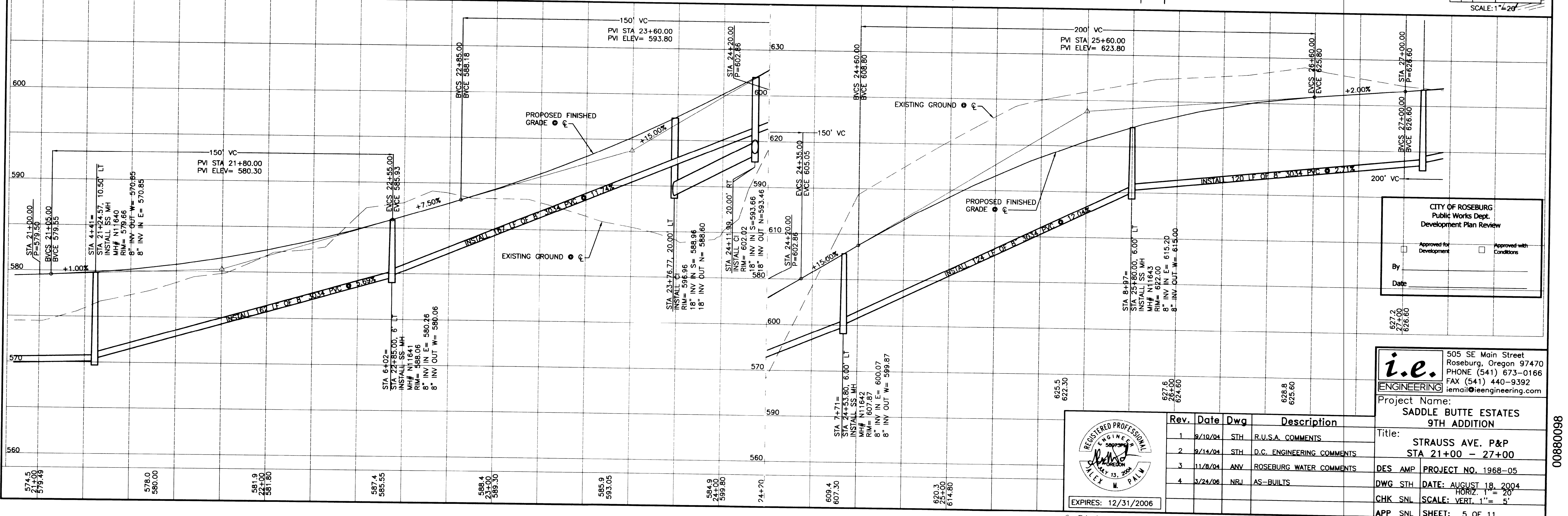
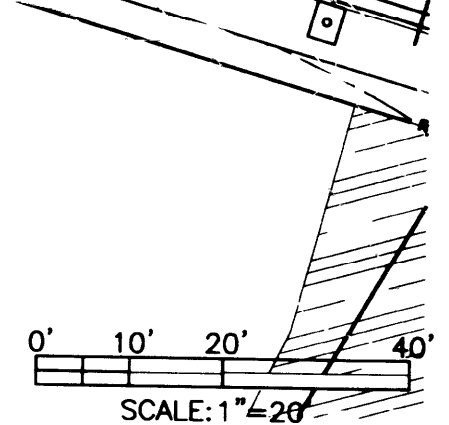
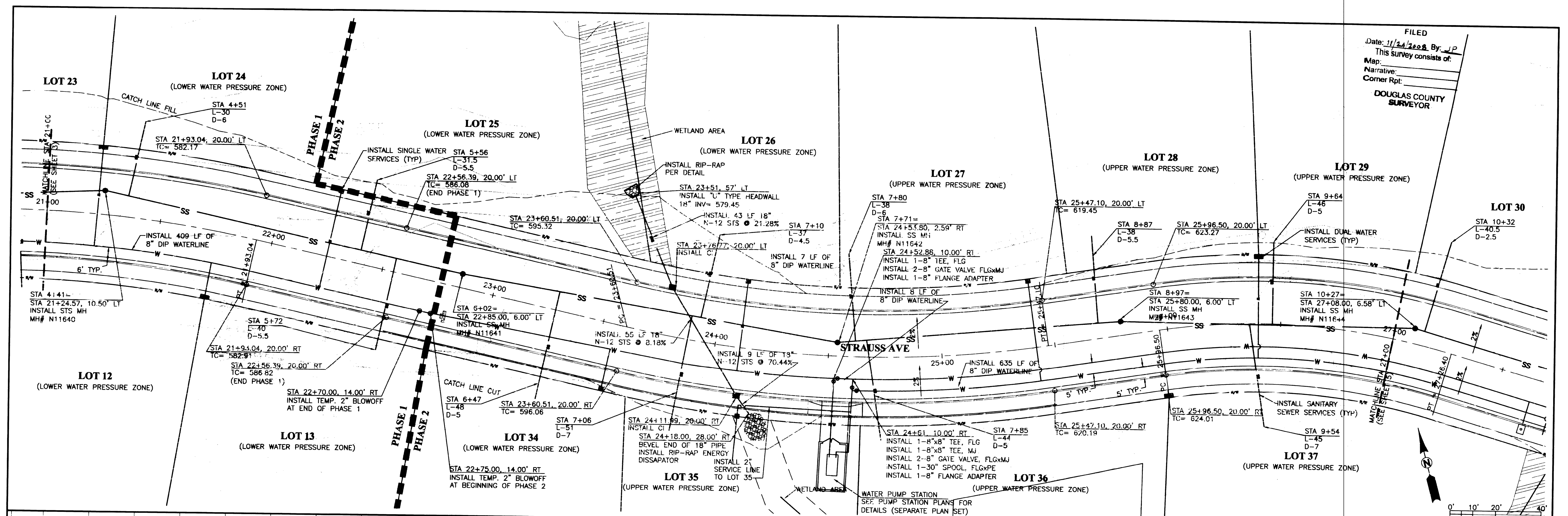


FILED
 Date: 11/24/2004 By: J.P.
 This survey consists of:
 Map:
 Narrative:
 Corner Rpt:
DOUGLAS COUNTY SURVEYOR



CITY OF ROSEBURG
 Public Works Dept.
 Development Plan Review

Approved for Development Approved with Conditions

By _____ Date _____

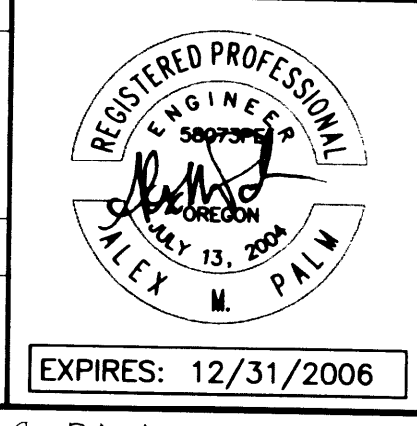
i.e. ENGINEERING
 505 SE Main Street
 Roseburg, Oregon 97470
 PHONE (541) 673-0166
 FAX (541) 440-9392
 iemail@ieengineering.com

Project Name:
**SADDLE BUTTE ESTATES
 9TH ADDITION**

Title:
**STRAUSS AVE. P&P
 STA 21+00 - 27+00**

DES AMP PROJECT NO. 1968-05

DWG STH DATE: AUGUST 18, 2004
 CHK SNL HORIZ. 1"= 20'
 APP SNL SHEET: 5 OF 11



Rev.	Date	Dwg	Description
1	8/10/04	STH	R.U.S.A. COMMENTS
2	8/14/04	STH	D.C. ENGINEERING COMMENTS
3	11/8/04	ANV	ROSEBURG WATER COMMENTS
4	3/24/06	NRJ	AS-BUILTS

Co. Rd. # 901A

MP 0.88-0.98

DO NOT DUPLICATE

CO. RD. 901A PLAN & PROFILE

0080098