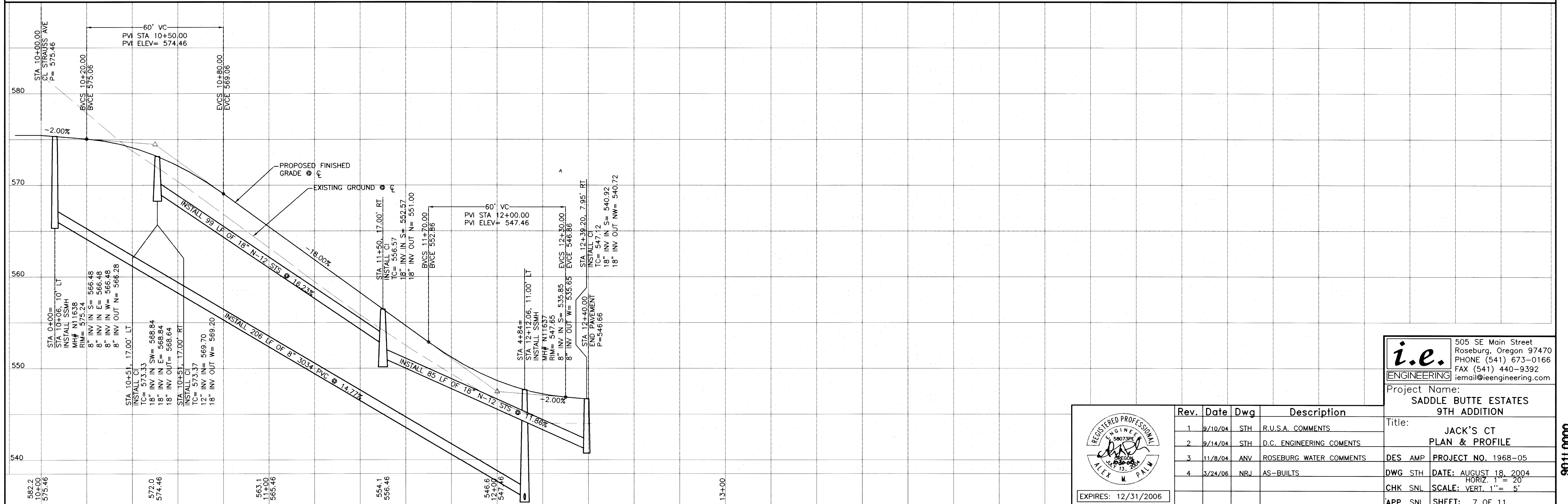
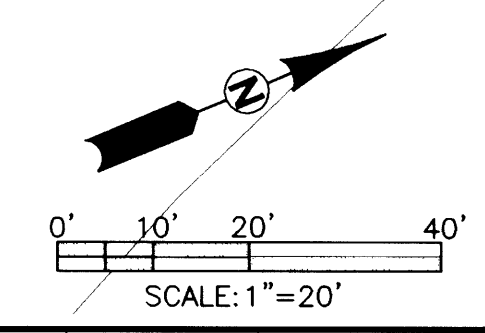


FILED  
 Date: 9-5-2007 By: [Signature]  
 This survey consists of: 11 Pgs  
 Map: Co. Rd. #90  
 Narrative:  
 Corner Rpt:  
 DOUGLAS COUNTY SURVEYOR

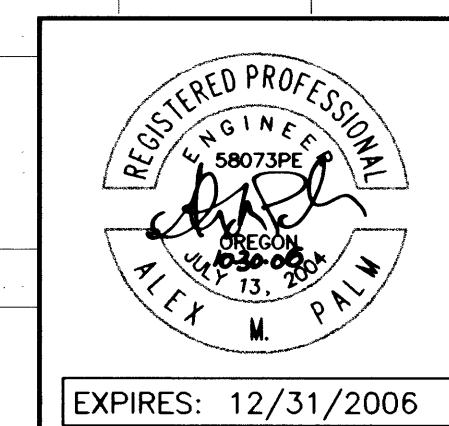


**i.e.** ENGINEERING  
 505 SE Main Street  
 Roseburg, Oregon 97470  
 PHONE (541) 673-0166  
 FAX (541) 440-9392  
 email@ieengineering.com

Project Name:  
**SADDLE BUTTE ESTATES  
 9TH ADDITION**

Title:  
**JACK'S CT  
 PLAN & PROFILE**

DES AMP PROJECT NO. 1968-05  
 DWG STH DATE: AUGUST 18, 2004  
 CHK SNL SCALE: 1" = 20'  
 APP SNL SHEET: 7 OF 11



Rev.	Date	Dwg	Description
1	9/10/04	STH	R.U.S.A. COMMENTS
2	9/14/04	STH	D.C. ENGINEERING COMMENTS
3	11/8/04	ANV	ROSEBURG WATER COMMENTS
4	3/24/06	NRJ	AS-BUILTS

Co. Rd. # 90 L

MP. 0.00 - 0.04

**CO. RD. #90IL PLAN & PROFILE**

9011.0000

DO NOT DUPLICATE