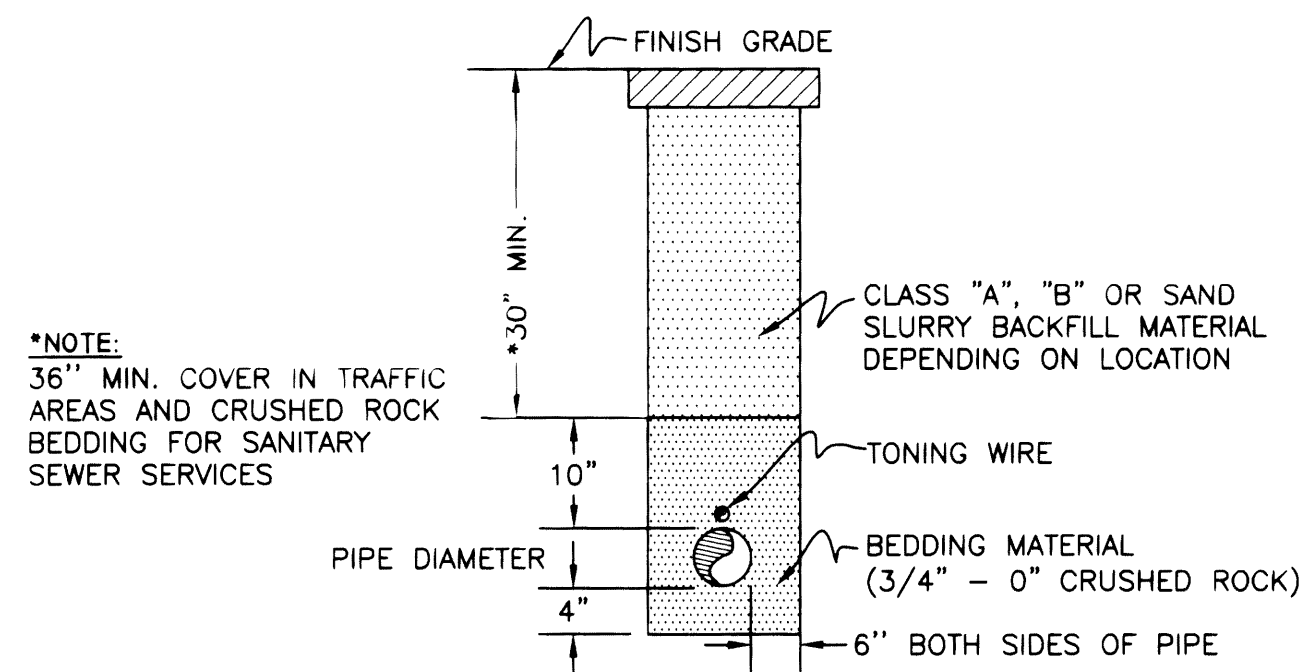
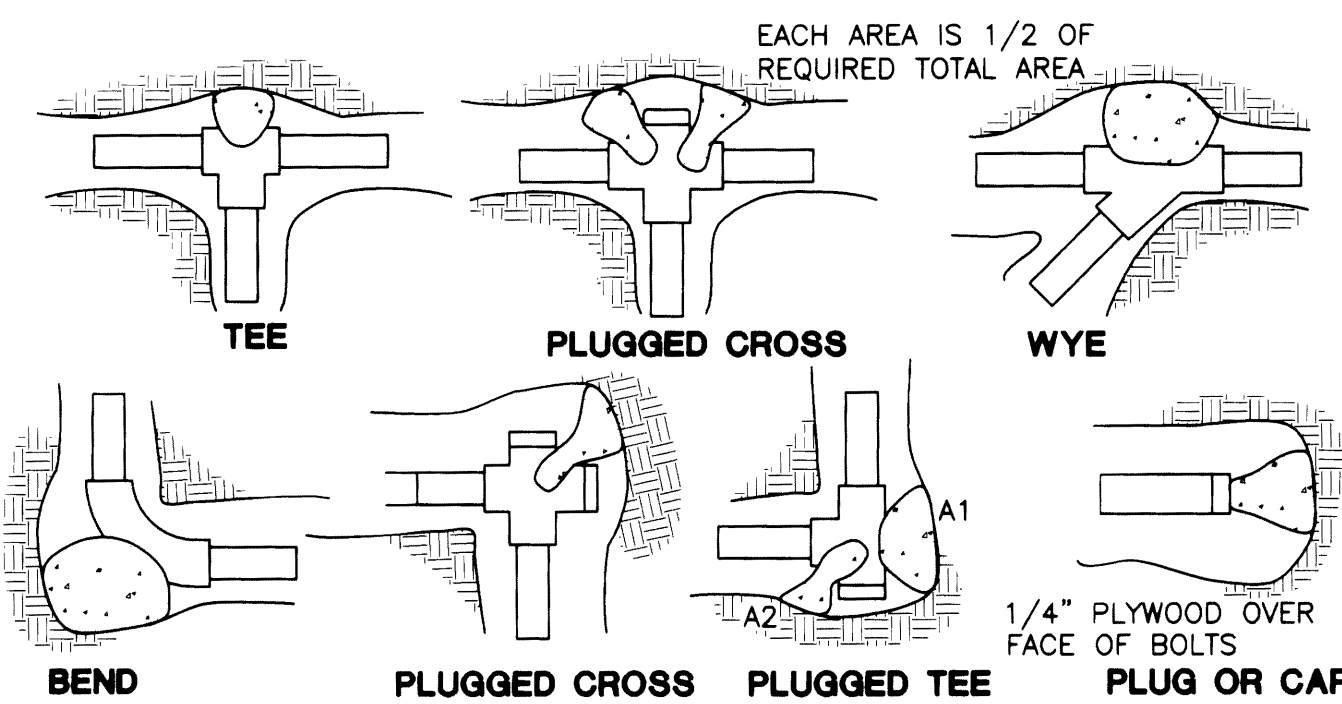


TYPICAL WATER MAINLINE TRENCH DETAIL



TYPICAL SEWER SERVICE LINE TRENCH DETAIL



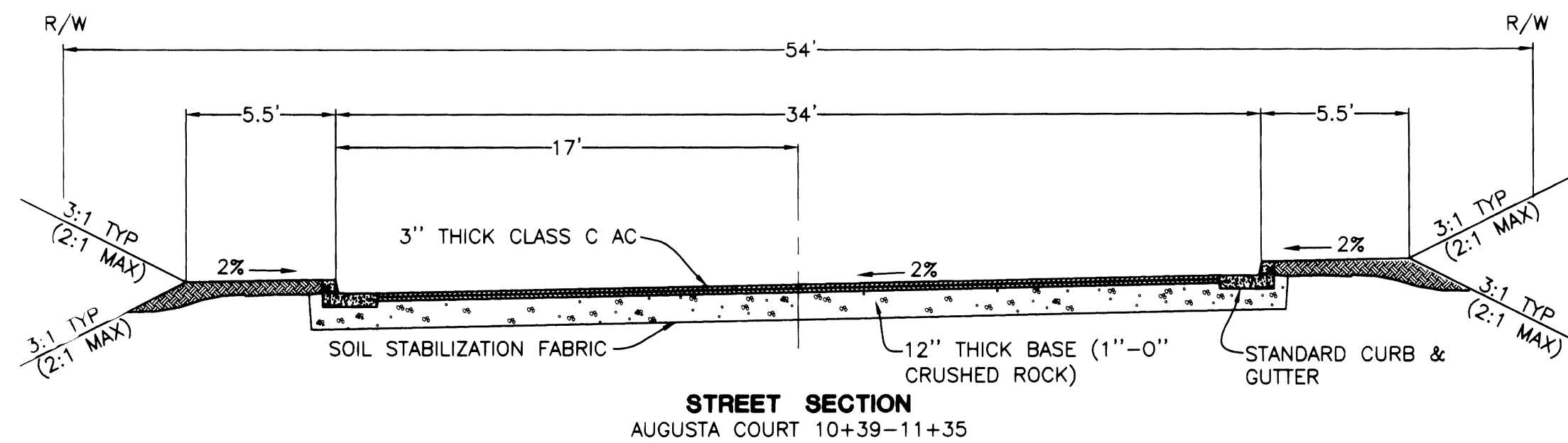
FITTING SIZE	TEE, WYE, PLUG, OR CROSS	90° BEND PLUGGED CROSS		TEE PLUGGED ON RUN		45° BEND	22 1/2' BEND	11 1/4' BEND
		A1	A2	A1	A2			
2	0.5	1.1	1.6	1.1	1.1	0.5	--	--
3	1.3	2.1	3.2	2.1	1.3	0.5	--	--
4	2.7	3.7	5.1	3.7	2.7	1.1	0.5	0.5
6	5.6	8.0	11.5	8.0	4.3	2.7	1.3	1.3
8	10.1	14.2	20.3	14.4	7.7	4.0	1.7	1.7
10	15.8	22.4	31.5	22.4	12.3	6.4	3.2	3.2
12	22.7	32.0	45.4	32.0	17.6	9.1	4.5	4.5
14	30.7	43.5	61.4	43.5	23.8	12.3	6.1	6.1
16	40.1	56.9	80.1	56.9	31.0	16.0	8.0	8.0
18	50.7	72.1	101.5	72.1	39.0	20.3	10.1	10.1
20	62.7	88.9	125.5	88.9	48.3	25.1	12.5	12.5
24	90.8	128.2	181.6	128.2	70.0	36.3	18.2	18.2

NOTE: ABOVE BEARING AREAS BASED ON TEST PRESSURE OF 200 p.s.i. AND AN ALLOWABLE SOIL BEARING STRESS OF 1,000 lbs. PER SQUARE FOOT. TO COMPUTE BEARING AREAS FOR DIFFERENT TEST PRESSURES AND SOIL BEARING STRESSES, USE THE FOLLOWING EQUATION: BEARING AREA = (TEST PRESSURE/200) x (1000/SOIL BEARING STRESS) x (TABLE VALUE)

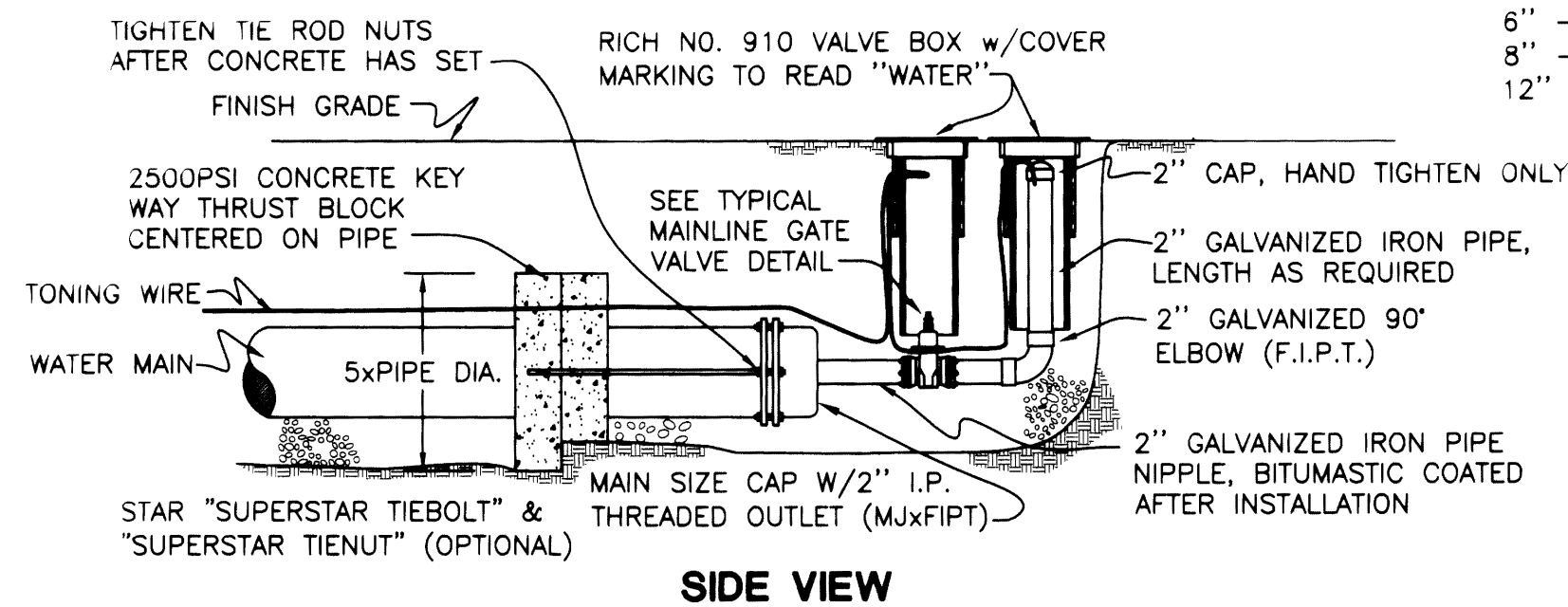
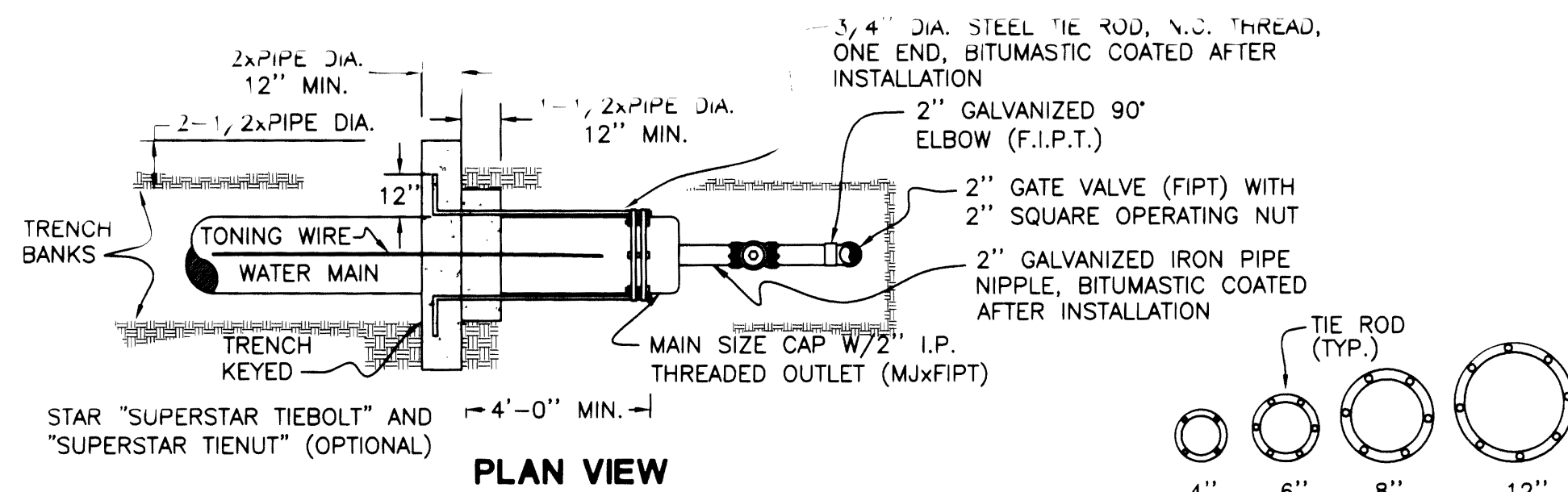
NOTES:

1. CONCRETE THRUST BLOCKING TO BE POURED AGAINST UNDISTURBED EARTH.
2. KEEP CONCRETE CLEAR OF JOINT AND ACCESSORIES.
3. THE REQUIRED THRUST BEARING AREAS FOR SPECIAL CONNECTIONS ARE SHOWN ENCIRCLED ON THE PLANS. E.G. (15) INDICATES 15 SQUARE FEET BEARING AREA REQUIRED.
4. IF NOT SHOWN ON PLANS REQUIRED BEARING AREAS AT FITTING SHALL BE AS INDICATED ABOVE, ADJUSTED IF NECESSARY, TO CONFORM TO THE TEST PRESSURE(S) AND ALLOWABLE SOIL BEARING STRESS(ES) STATED IN THE SPECIAL SPECIFICATIONS.
5. BEARING AREAS AND SPECIAL BLOCKING DETAILS SHOWN ON PLANS. TAKE PRECEDENCE OVER BEARING AREAS AND BLOCKING DETAILS SHOWN ON THIS STANDARD DETAIL.

THRUST BLOCK DETAILS AND INFORMATION
NO SCALE



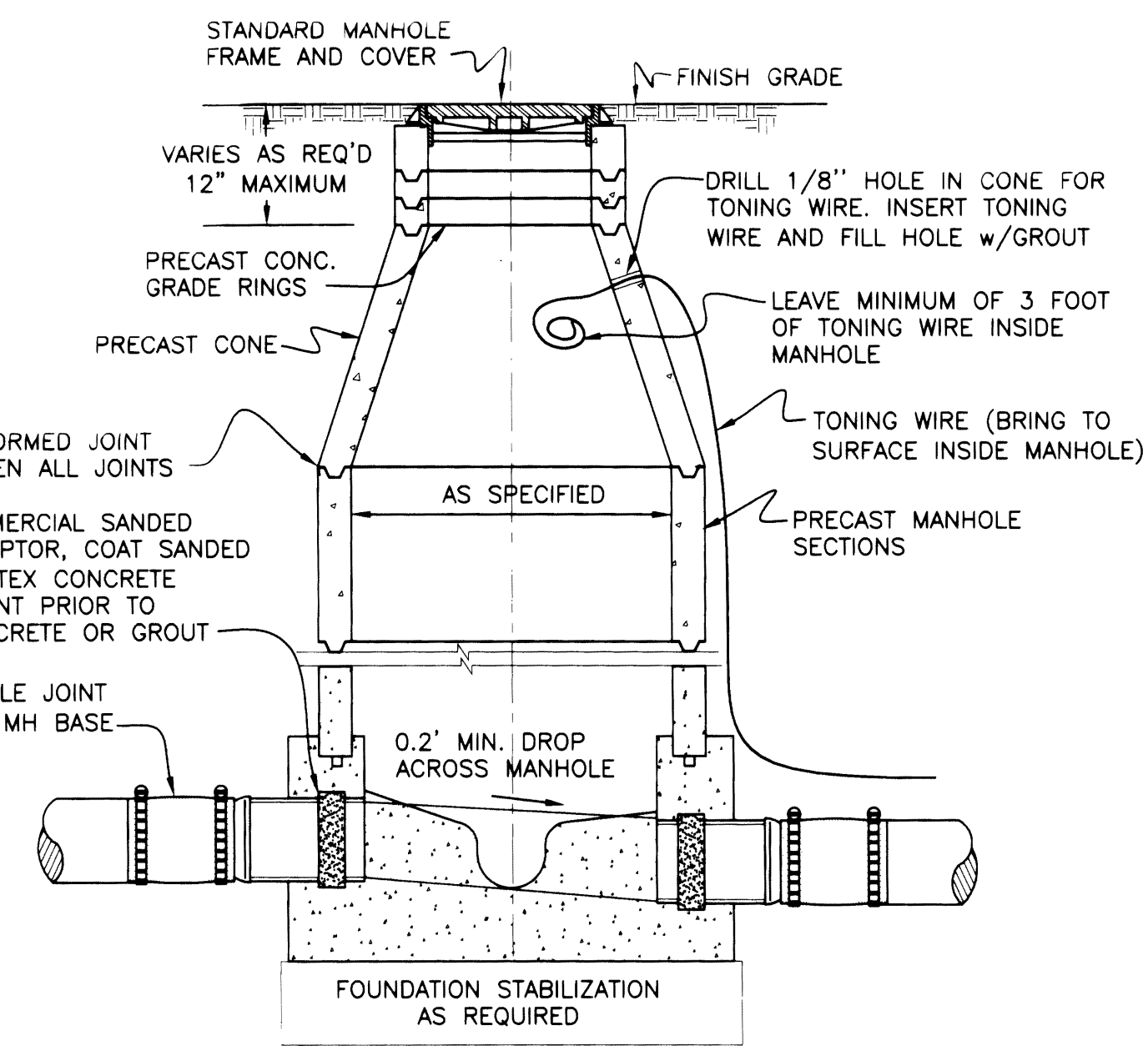
STREET SECTION
AUGUSTA COURT 10+39-11+35



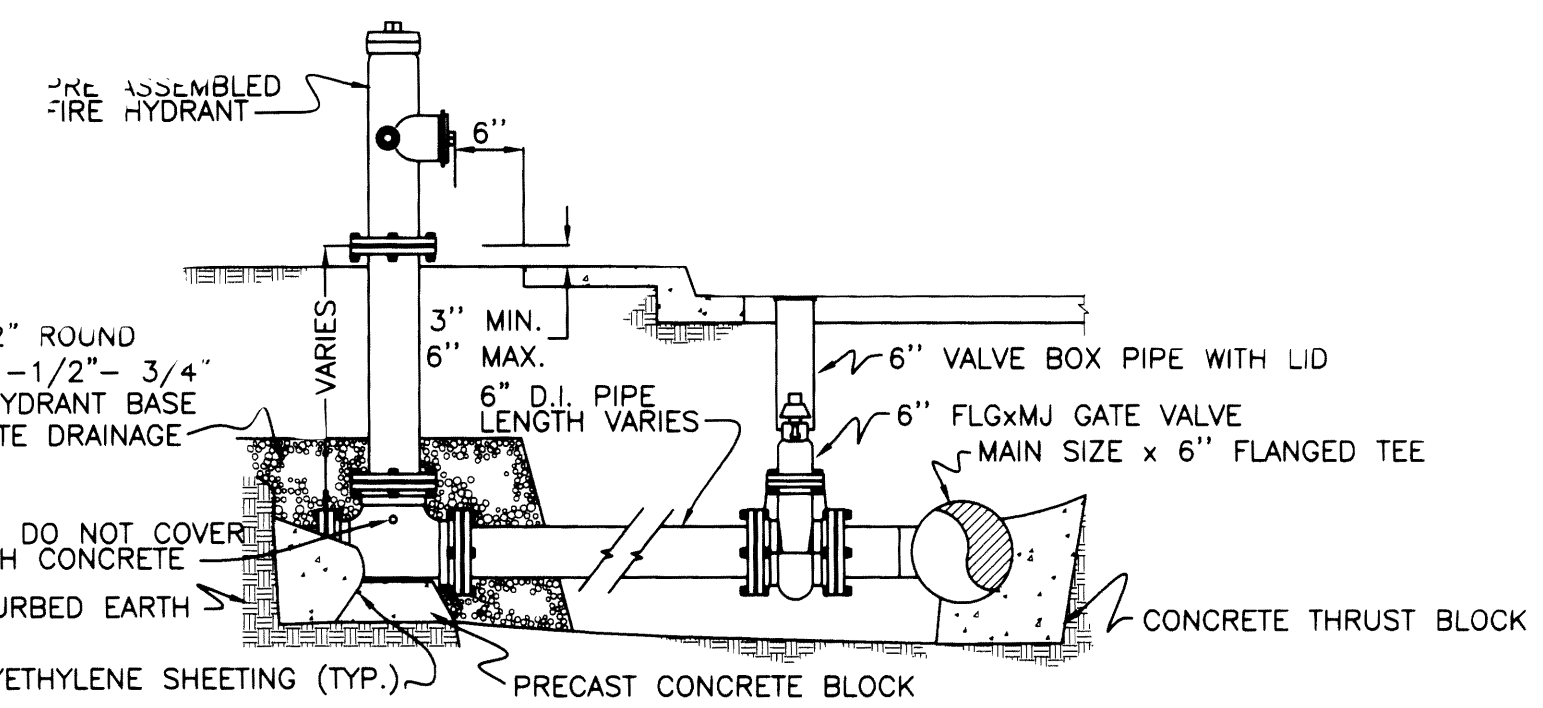
TYPICAL 2" BLOWOFF ASSEMBLY DETAIL

FILED
Date: 3-7-2006 By: J.P.
This survey consists of:
Map:
Name:
Corner 1st:
DOUGLAS COUNTY SURVEYOR

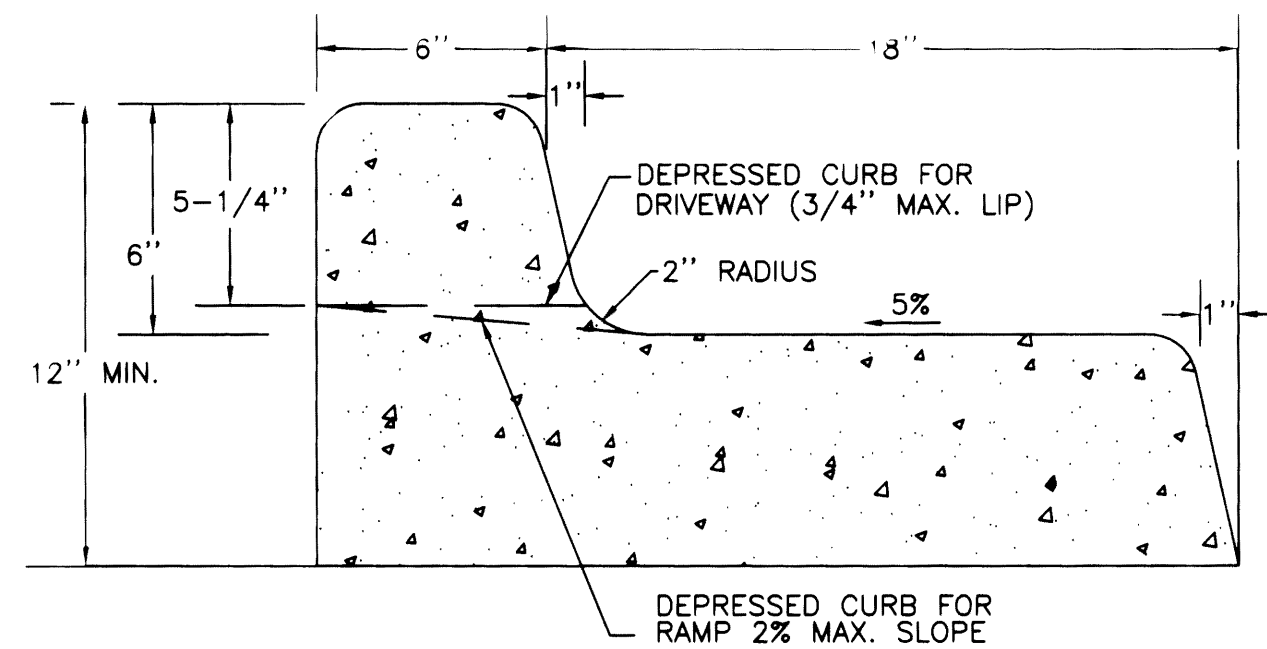
THESE DRAWINGS REPRESENT THE ACTUAL CONSTRUCTION OF SADDLE BUTTE PHASE 4 AUGUSTA COURT DESIGNED BY I.E. ENGINEERING, INC. NOVEMBER 2001. WE HEREBY CERTIFY THAT, TO THE BEST OF OUR KNOWLEDGE, THE WORK WAS PERFORMED IN ACCORDANCE WITH THE PLANS & SPECIFICATIONS.



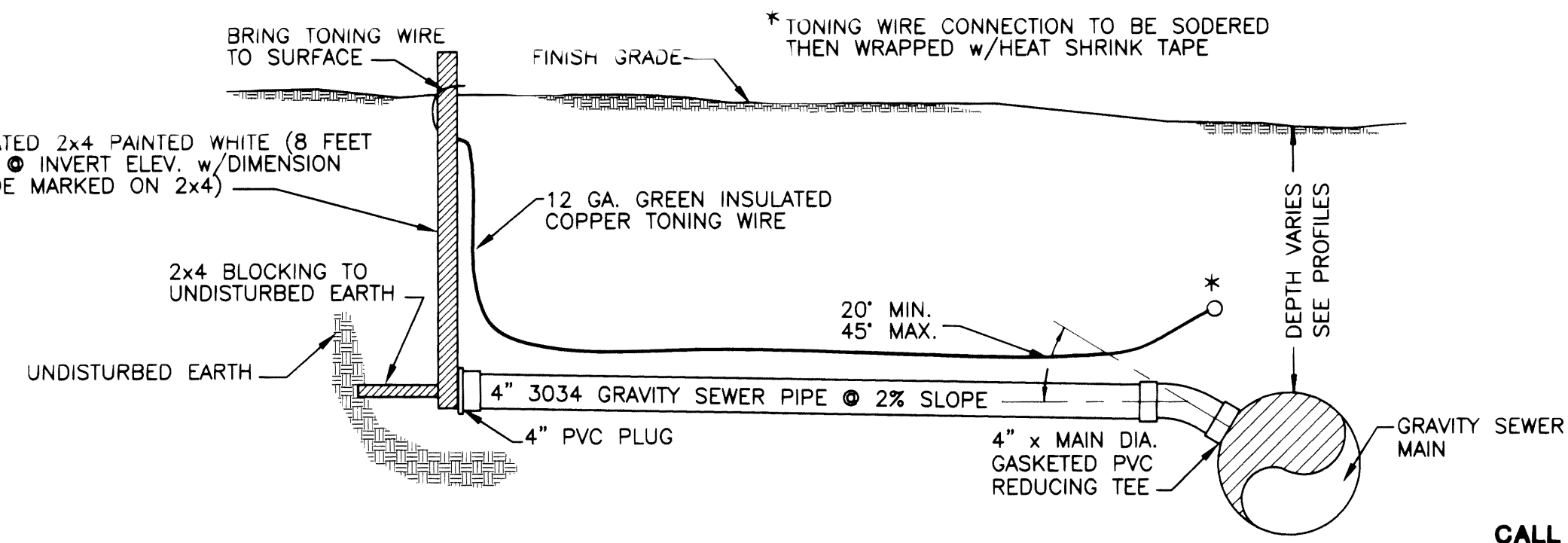
TYPICAL SANITARY MANHOLE DETAIL
(CAST IN PLACE)



TYPICAL FIRE HYDRANT INSTALLATION
(THRUST BLOCKED)

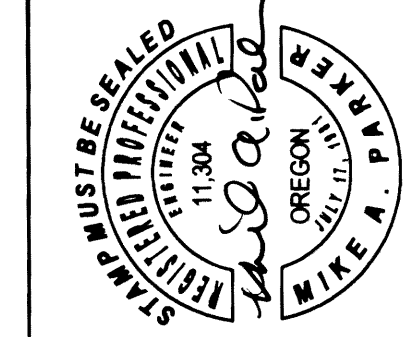


TYPICAL CURB AND GUTTER



TYPICAL 4" SEWER SERVICE CONNECTION DETAIL

CALL BEFORE YOU DIG 1
ONE CALL (800) 332-2344
OAR 952-001-0010 THROUGH
OAR 952-001-0090



EXPIRATION DATE: 12/31/04

MAP Engineering, Inc.

740 MAIN STREET
ROSEBURG, OREGON 97470
PHONE: (541) 229-0365 FAX: (541) 229-0353
EMAIL: info@mapengineeringinc.com

SADDLE BUTTE PHASE 4
AUGUSTA COURT

DETAILS
RECORD DRAWINGS

PROJECT NAME	DATE	BY	REVISION #
SHEET 3	OF 3		

R901KDET