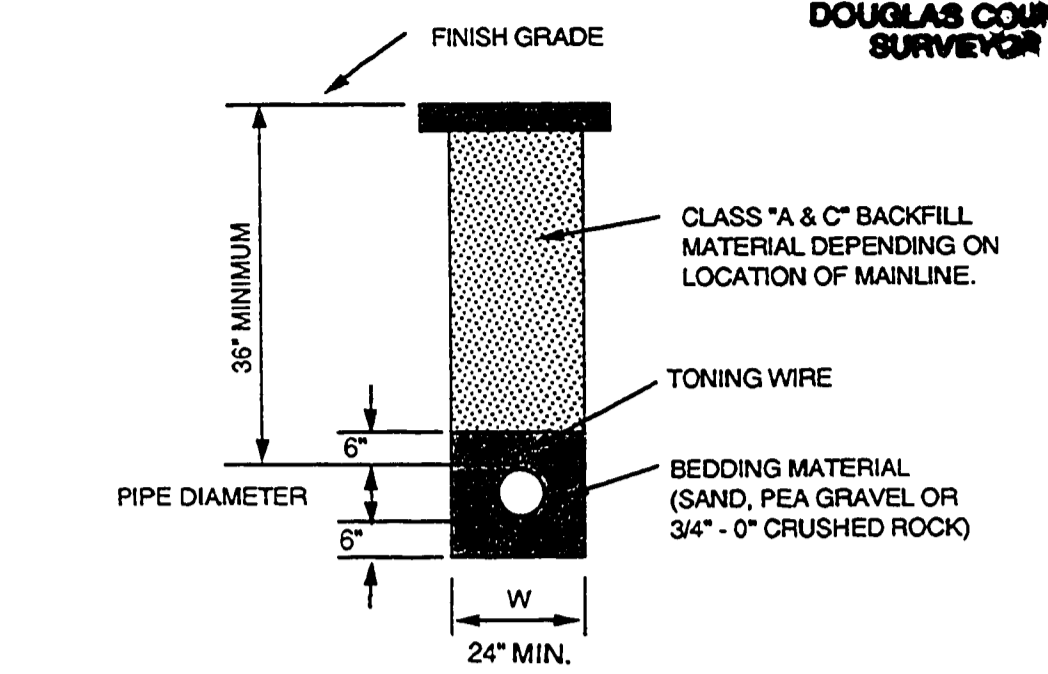
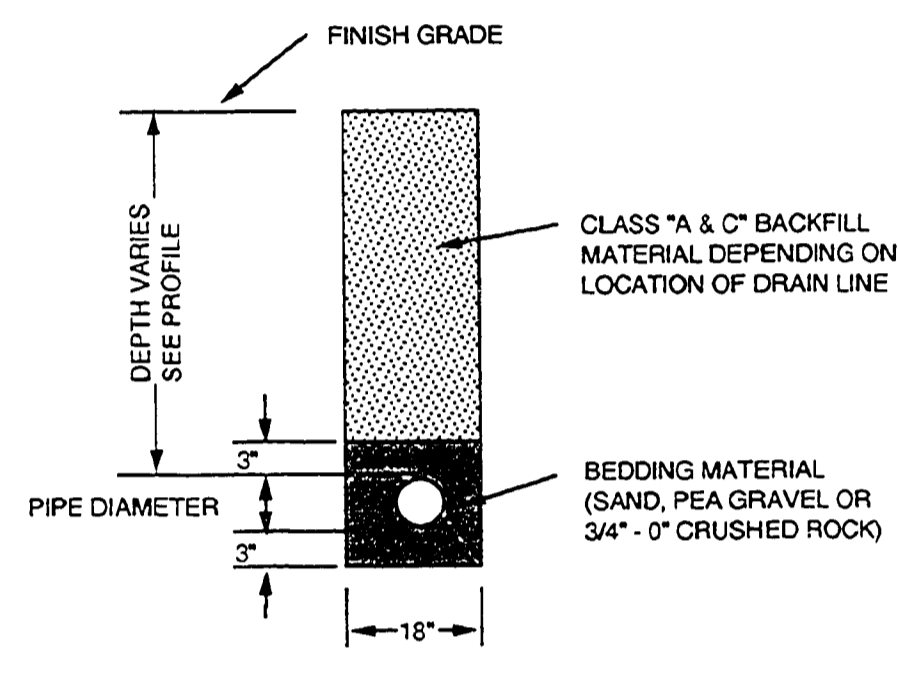


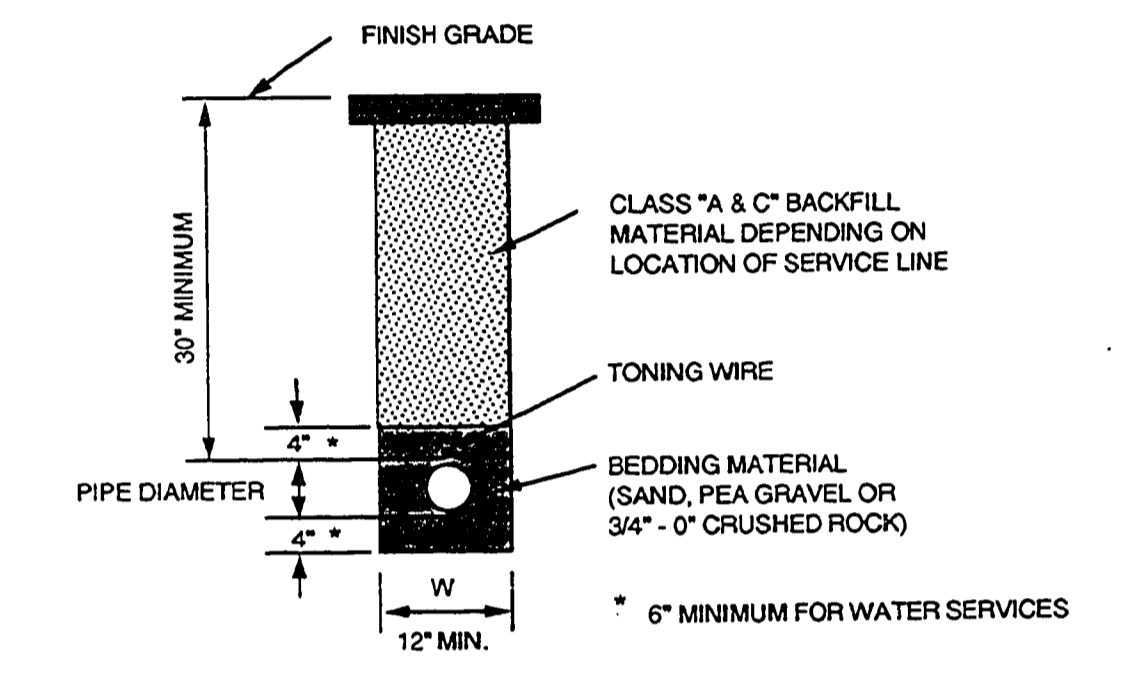
TYPICAL PERFORATED DRAIN PIPE TRENCH DETAIL



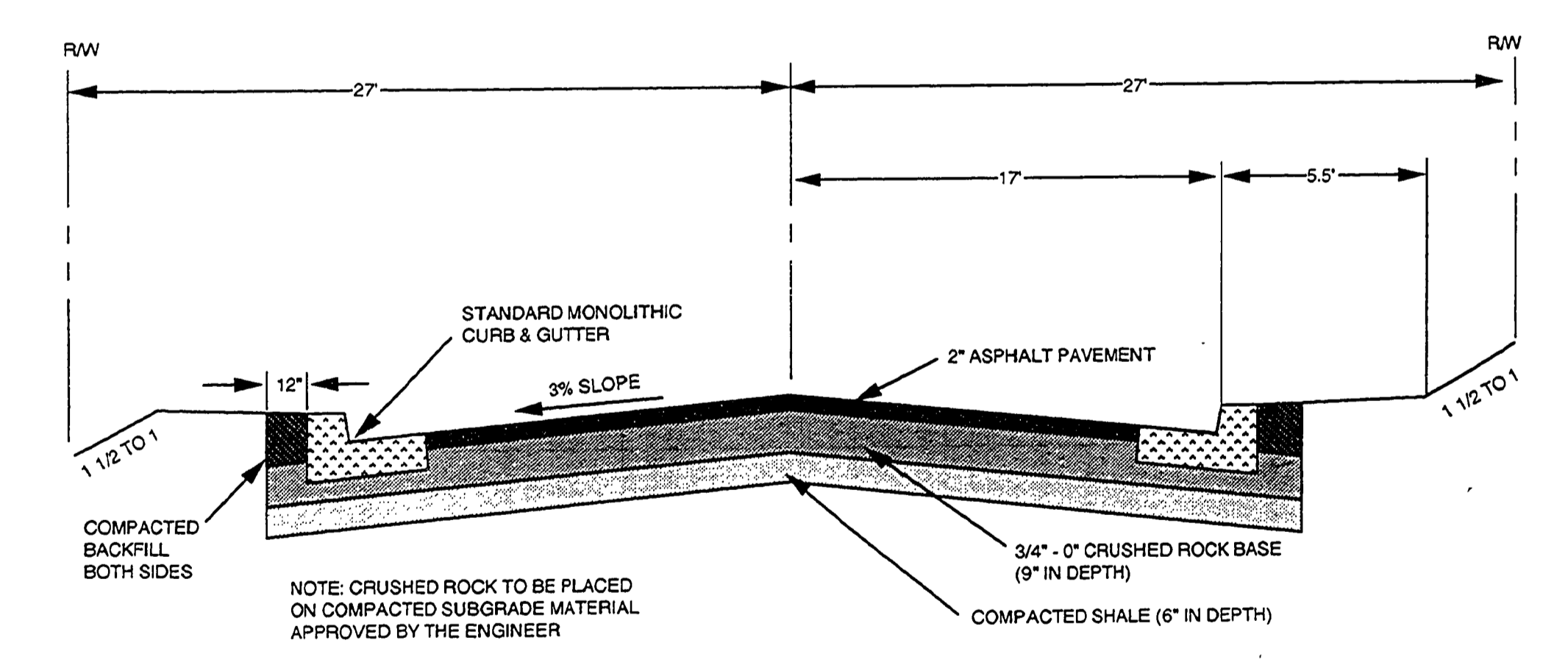
TYPICAL WATER MAINLINE TRENCH DETAIL



TYPICAL DRAIN PIPE TRENCH DETAIL



TYPICAL SERVICE LINE TRENCH DETAIL



TYPICAL MARTHA STREET CROSS-SECTION
NO SCALE



		1205 S.E. Court Street Roseburg, Oregon 97470 PHONE (503) 673-0166 FAX (503) 440-9392	
Project Name: SADDLE BUTTE ESTATES FIFTH ADDITION			
Title: MARTHA DRIVE ROAD AND UTILITIES			
DES	QK	PROJECT No.:	140.08
DWG	MR	DATE:	3/17/92
CHK	MP	SCALE:	1"=20' H 1"=2' V
APP		SHEET	2 OF 2

RD901C03