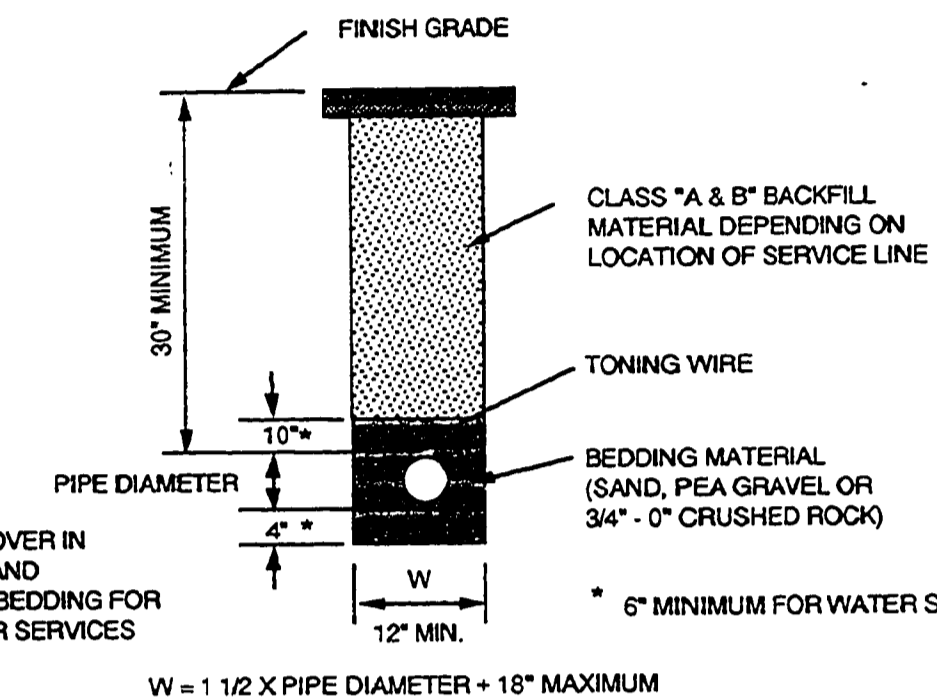
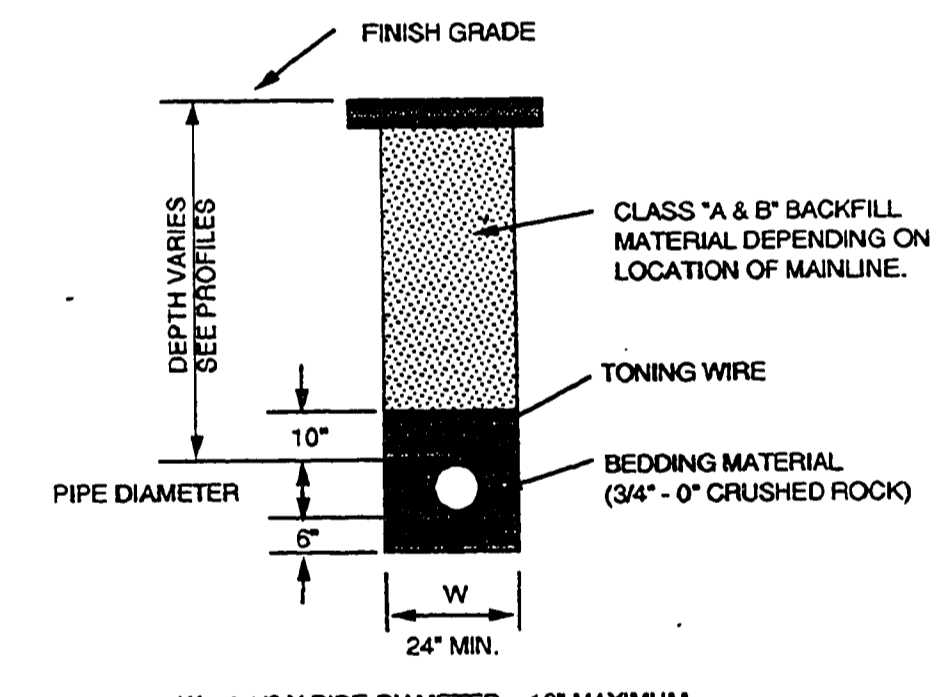


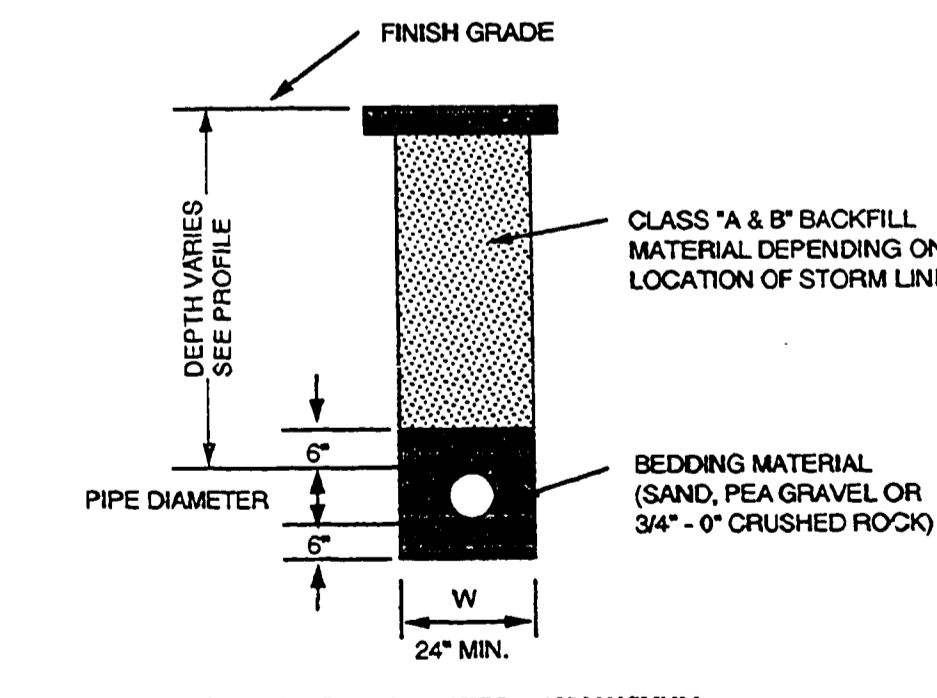
TYPICAL WATER MAINLINE TRENCH DETAIL



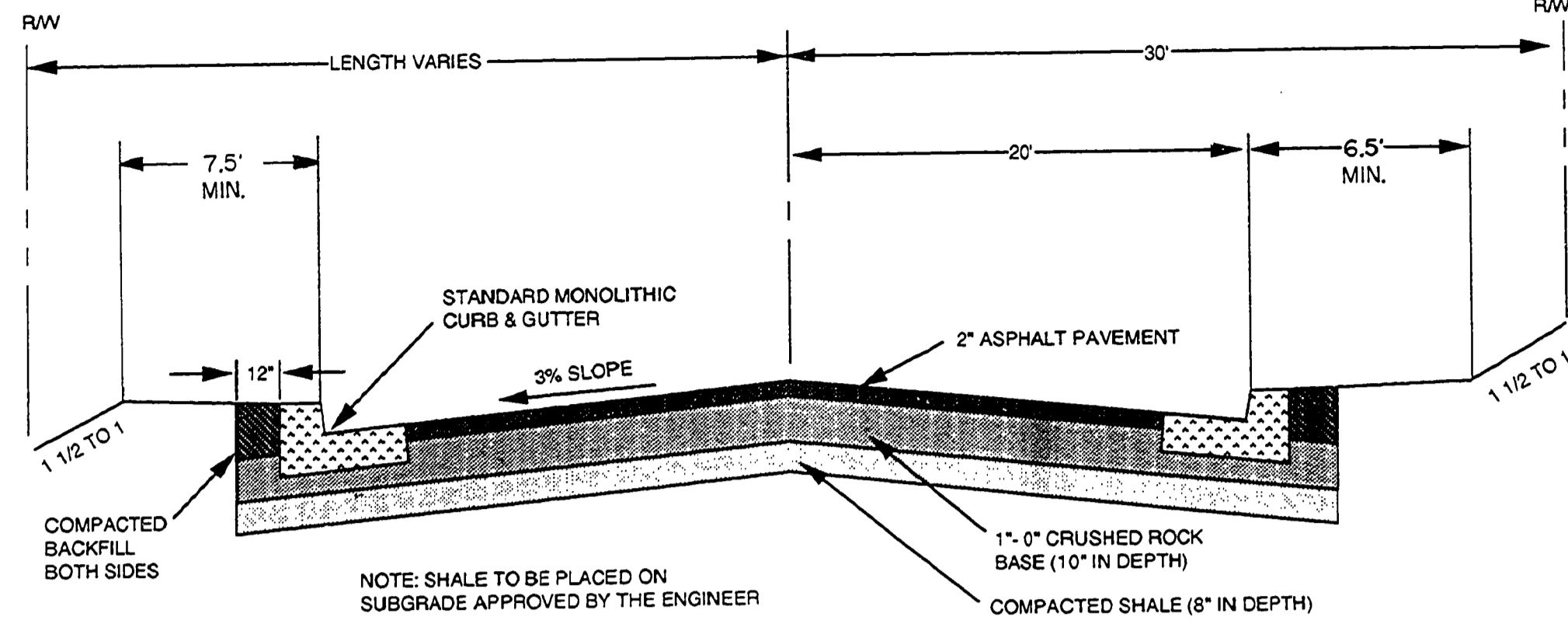
TYPICAL SERVICE LINE TRENCH DETAIL



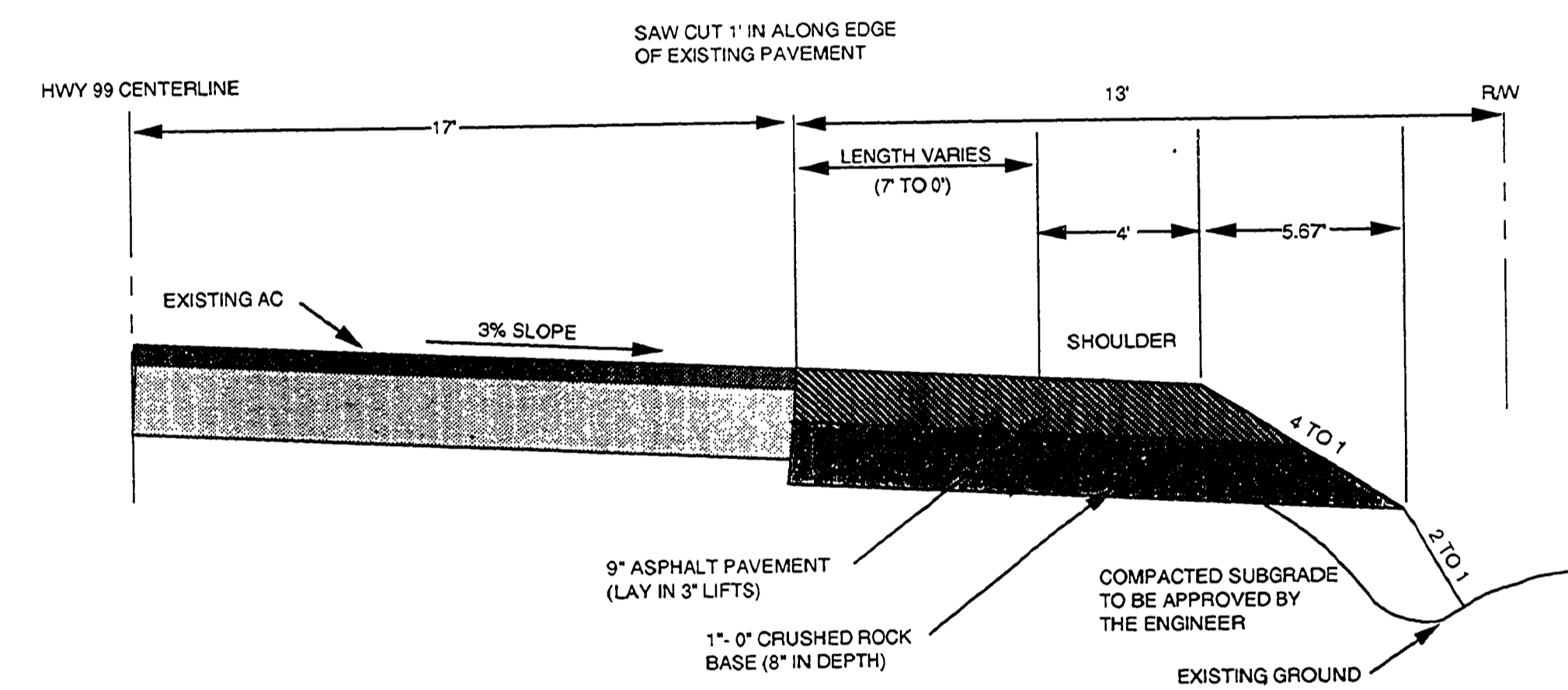
TYPICAL SEWER MAINLINE TRENCH DETAIL



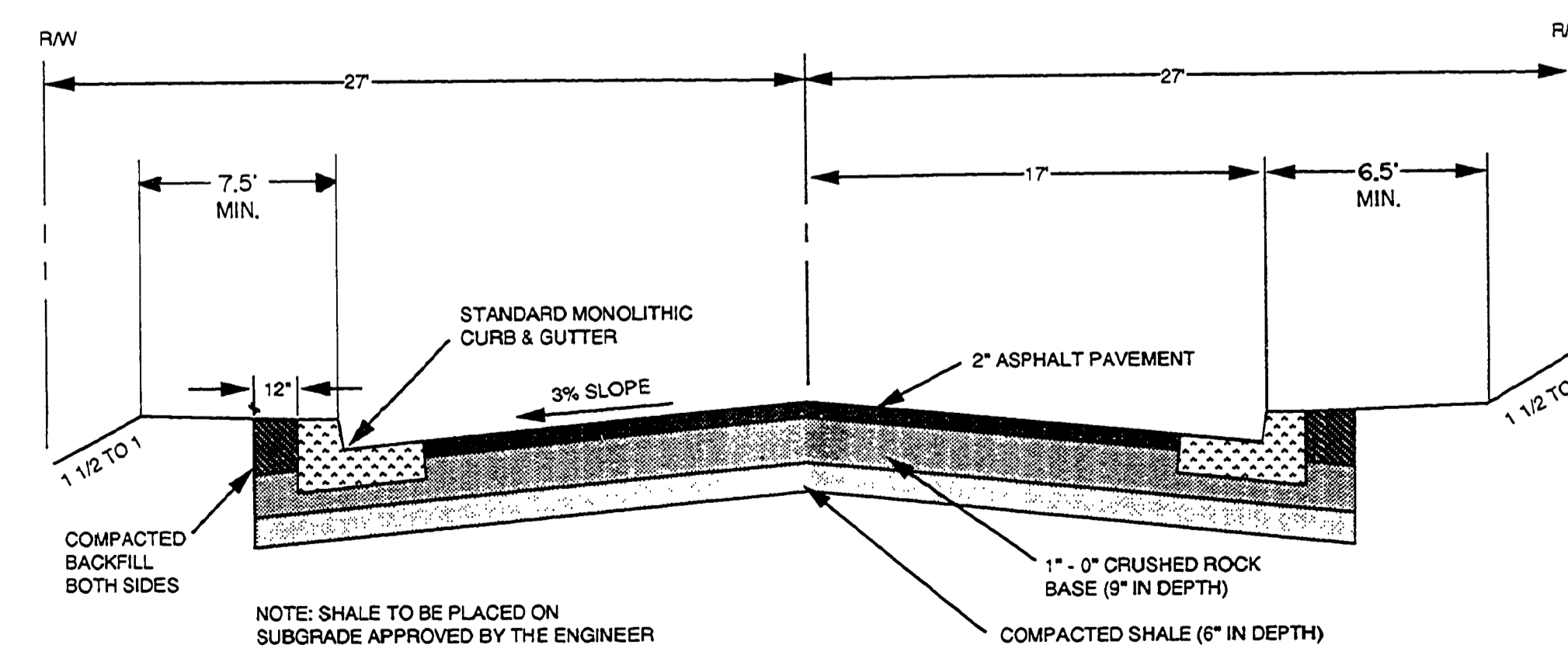
TYPICAL STORM SEWER TRENCH DETAIL



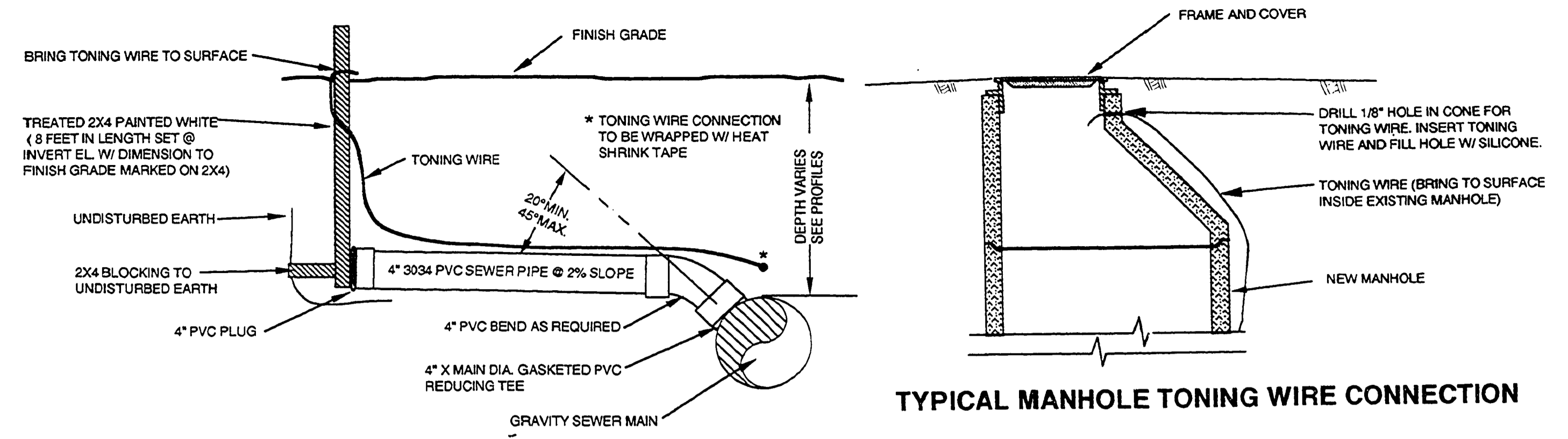
TYPICAL CROSS-SECTION (STRAUSS AVENUE)



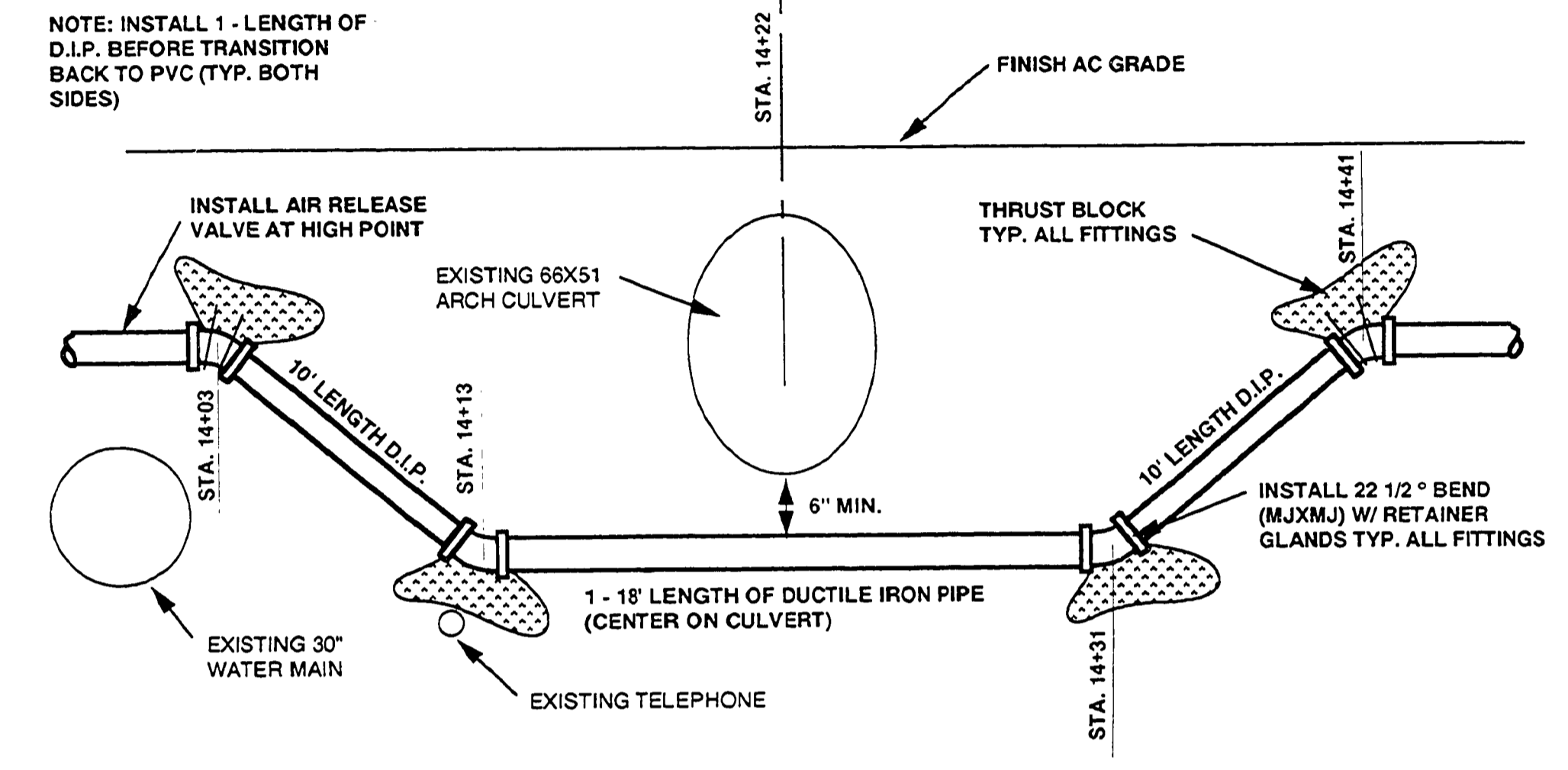
TYPICAL CROSS-SECTION (HWY 99 TAPER)



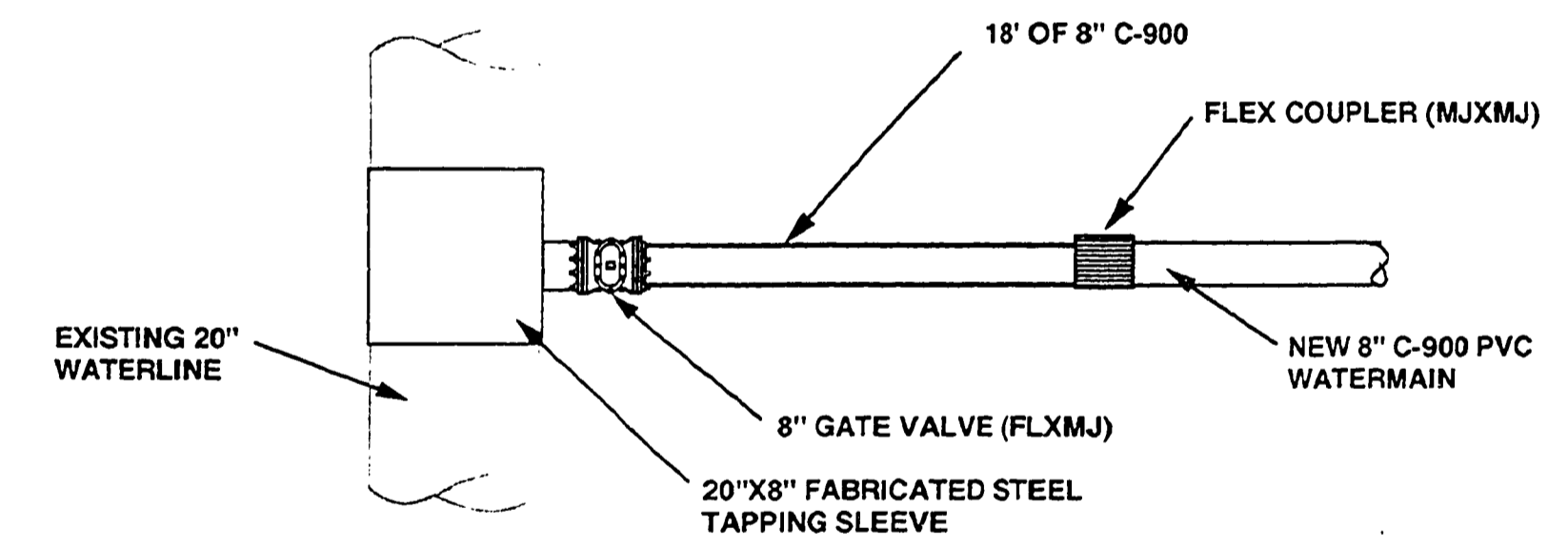
TYPICAL STREET CROSS-SECTION (PEBBLE BEACH COURT AND CYPRESS COURT)



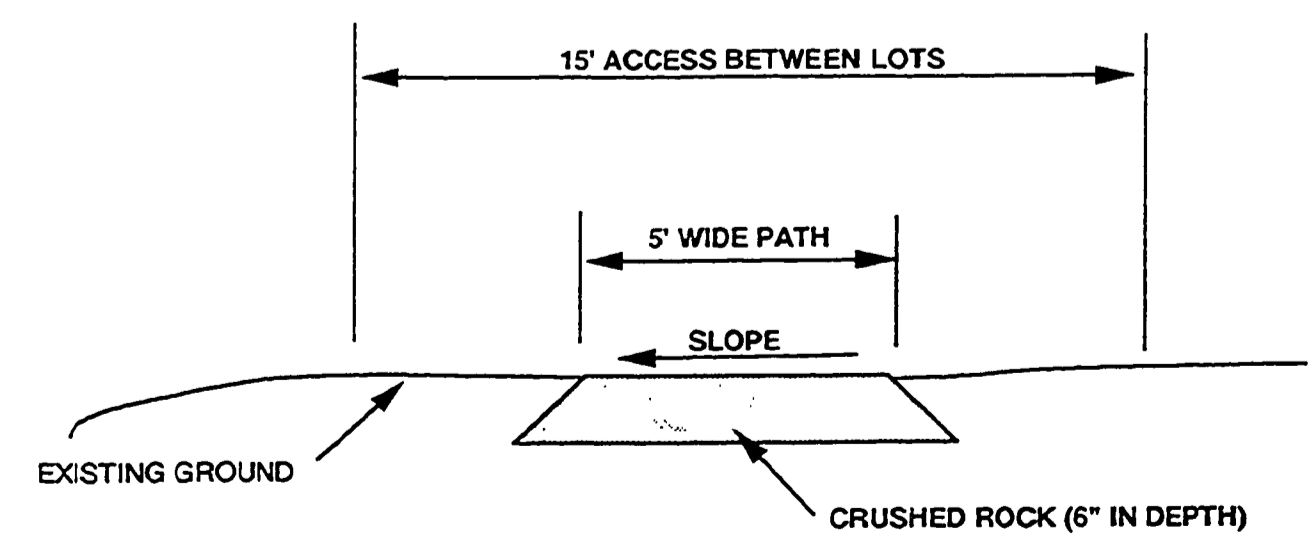
TYPICAL 4\"/>



WATERLINE CROSSING DETAIL



WATER CONNECTION DETAIL (AS-BUILT)



PEDESTRIAN WALK SECTION

FILED
 Date: 2-3-97 By: J.P.
 This survey consists of:
 Map: _____
 Narrative: _____
 Corner Pts: _____
 DOUGLAS COUNTY SURVEYOR

AS-BUILTS

Rev.	Date	Description
1	7/23/92	PLAN REVIEW CHANGES

Project Name: **SADDLE BUTTE RANCH SUBDIVISION PHASE 1**

Title: **DETAILS AND SECTIONS**

DES SNL PROJECT NO.: 140 - 03
 DWG SNL DATE: JUNE 1992
 CHK MAP SCALE: NO SCALE
 APP MAP SHEET 6 OF 6

RD901TYP