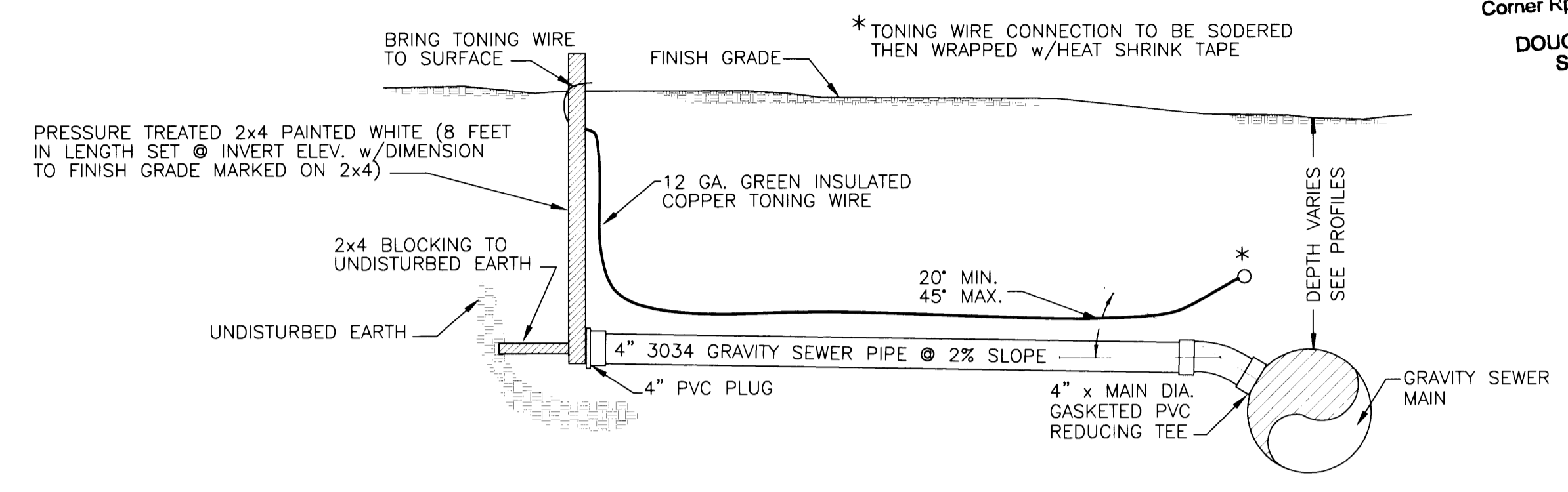
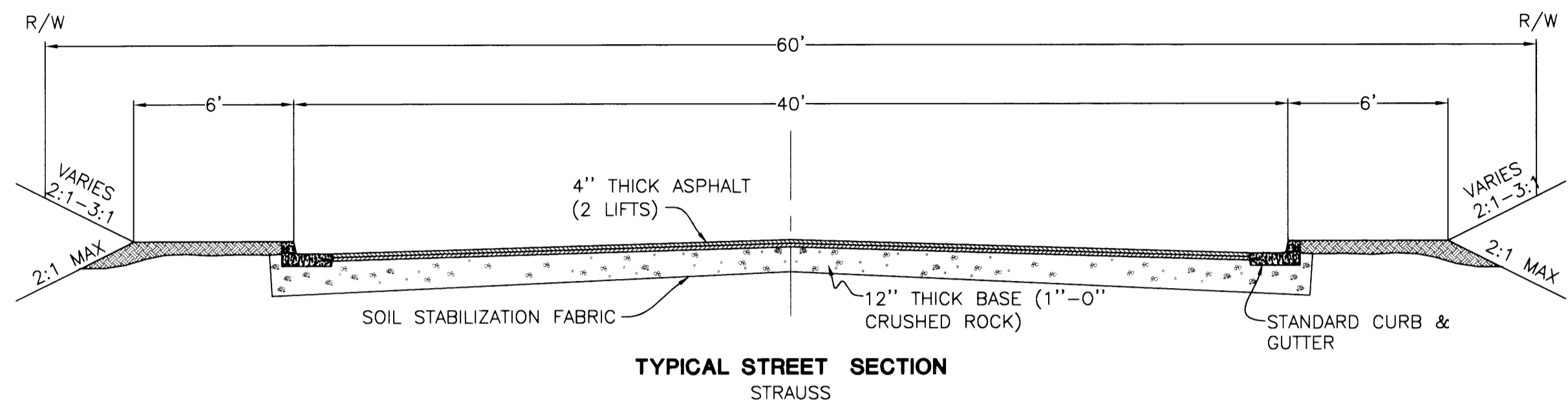
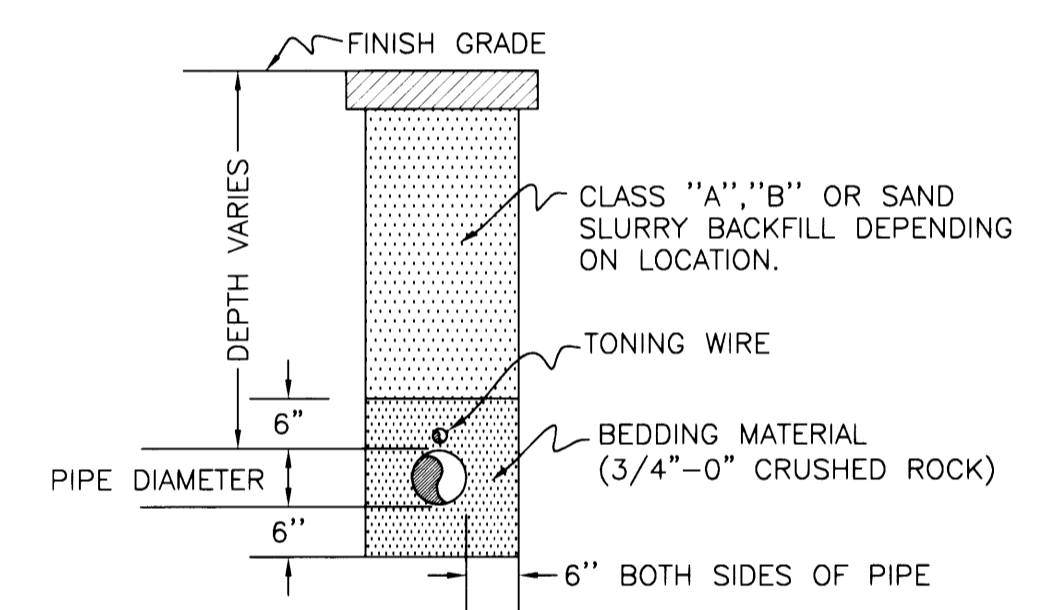


FILED
 Date: 10/21/2003 By: _____
 This survey consists of: _____
 Map: _____
 Name: _____
 Corner Rpt: _____
 DOUGLAS COUNTY
 SURVEYOR

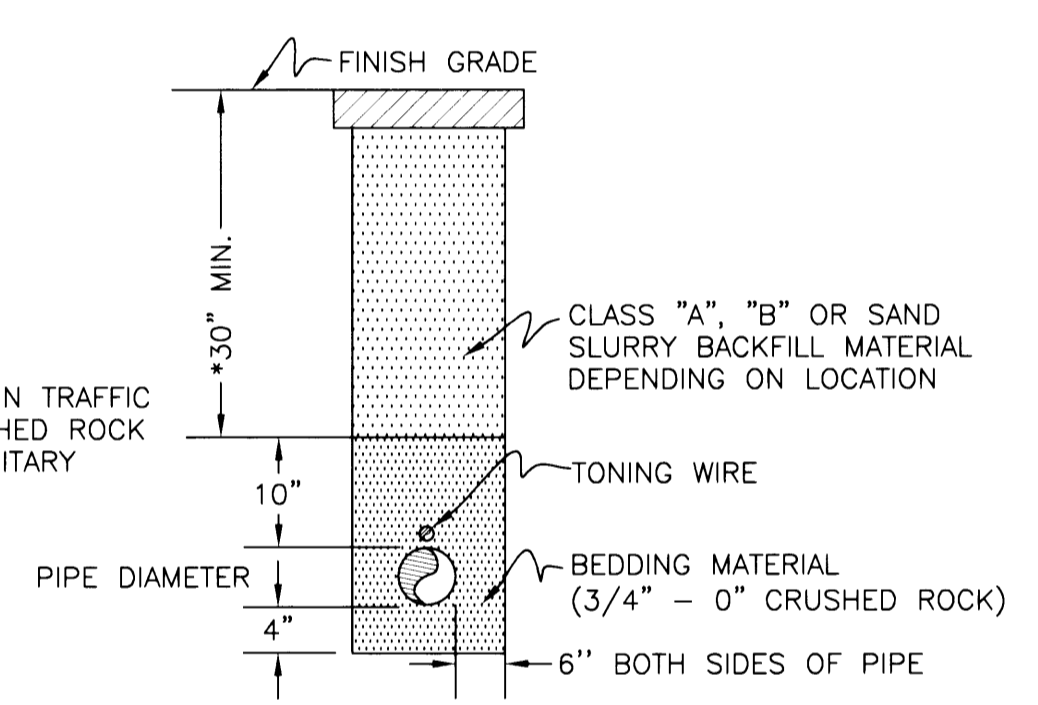


TYPICAL 4" SEWER SERVICE CONNECTION DETAIL

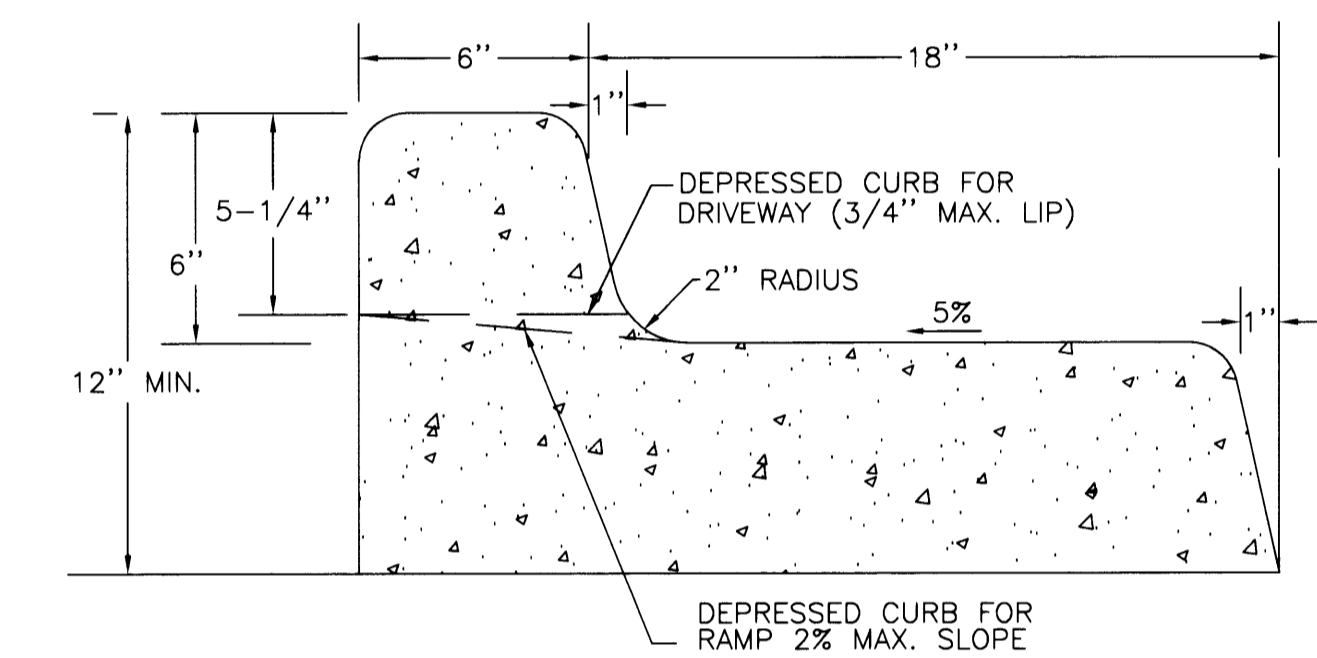


TYPICAL STORM LINE TRENCH DETAIL

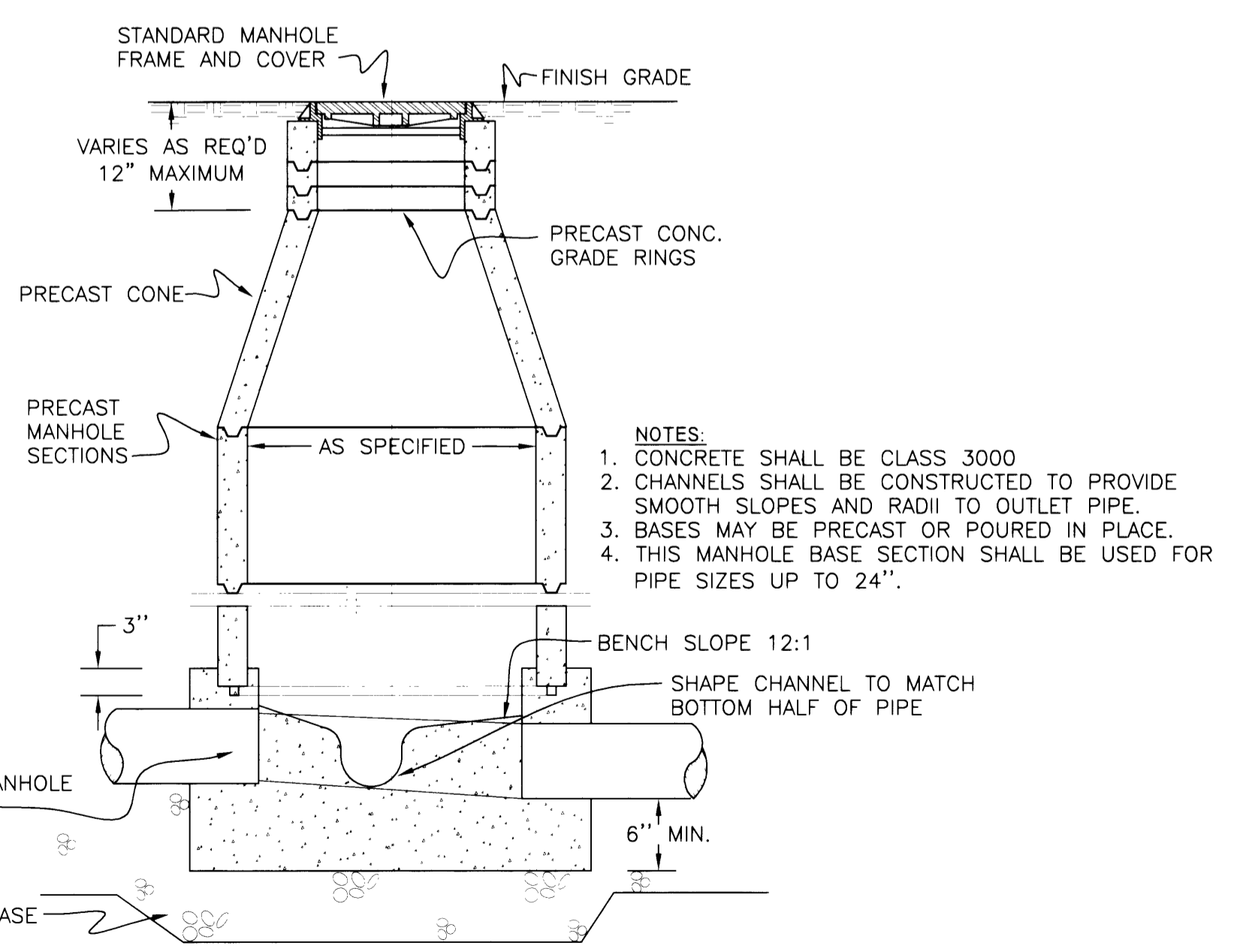
*NOTE:
 36" MIN. COVER IN TRAFFIC
 AREAS AND CRUSHED ROCK
 BEDDING FOR SANITARY
 SEWER SERVICES



TYPICAL SEWER SERVICE LINE TRENCH DETAIL

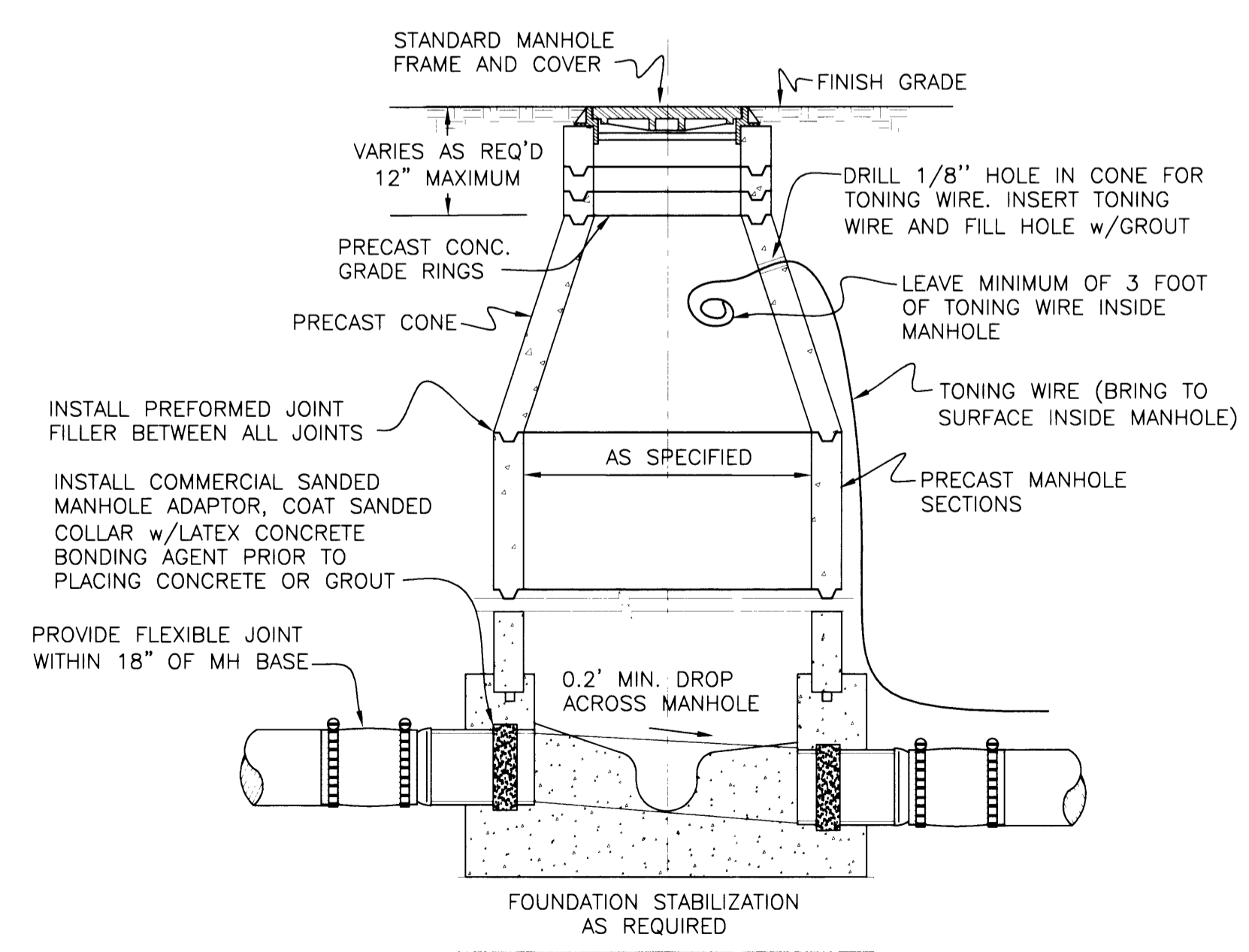


TYPICAL CURB AND GUTTER

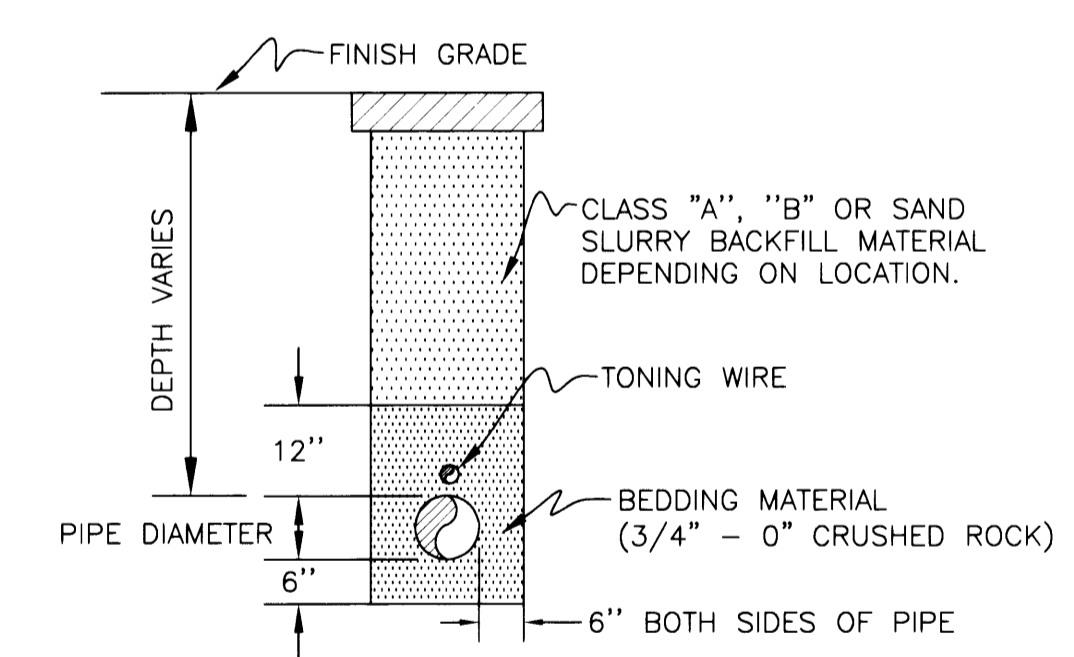


TYPICAL STORM MANHOLE DETAIL

- NOTES:
 1. CONCRETE SHALL BE CLASS 3000
 2. CHANNELS SHALL BE CONSTRUCTED TO PROVIDE
 SMOOTH SLOPES AND RADII TO OUTLET PIPE.
 3. BASES MAY BE PRECAST OR POURED IN PLACE.
 4. THIS MANHOLE BASE SECTION SHALL BE USED FOR
 PIPE SIZES UP TO 24"



TYPICAL SANITARY MANHOLE DETAIL
 (CAST IN PLACE)



TYPICAL SEWER MAINLINE TRENCH DETAIL

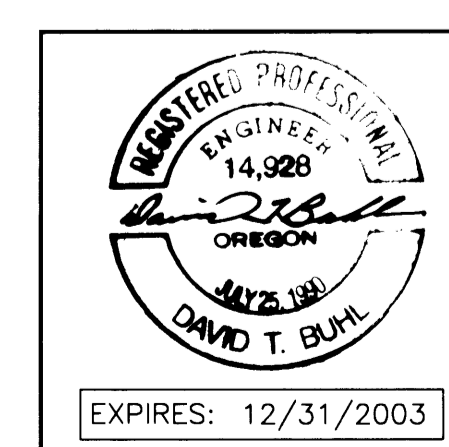
CALL BEFORE YOU DIG 1
 ONE CALL (800) 332-2344
 OAR 952-001-0010 THROUGH
 OAR 952-001-0090

i.e.
 ENGINEERING
 741 SE Jackson Street
 Roseburg, Oregon 97470
 PHONE (541) 673-0166
 FAX (541) 440-9392

Project Name:
**SADDLE BUTTE ESTATES
 8th ADDITION**

Title:
DETAILS

DES	DTB	PROJECT NO.	140-76
DWG	BWC	DATE:	NOVEMBER 15, 2001
CHK	SNL	SCALE:	NO SCALE
APP	SNL	SHEET:	4 OF 6



Rev.	Date	Dwg	Description
1	1/09/02	BWC	AGENCY REVIEWS
2	12/12/02	MLJ	AS-BUILTS

Co. P.J. #901A

CO. RD. #901A DETAILS

901A SET L
 901ADETS

DO NOT DUPLICATE