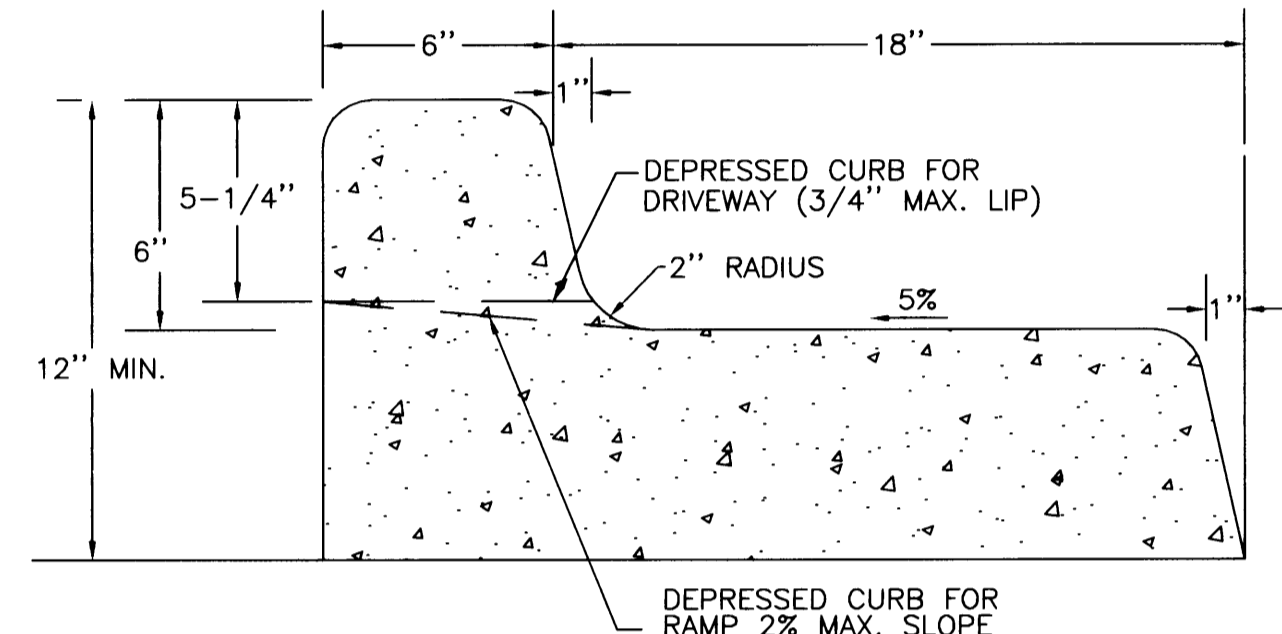
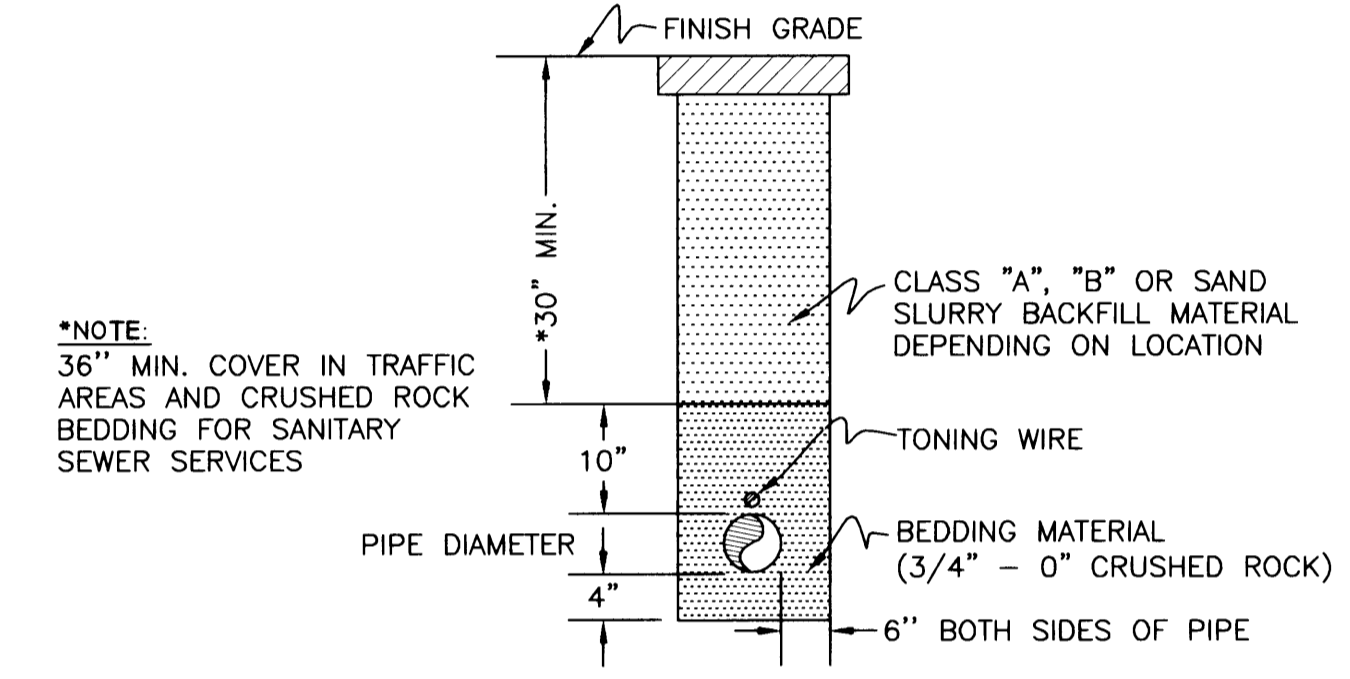


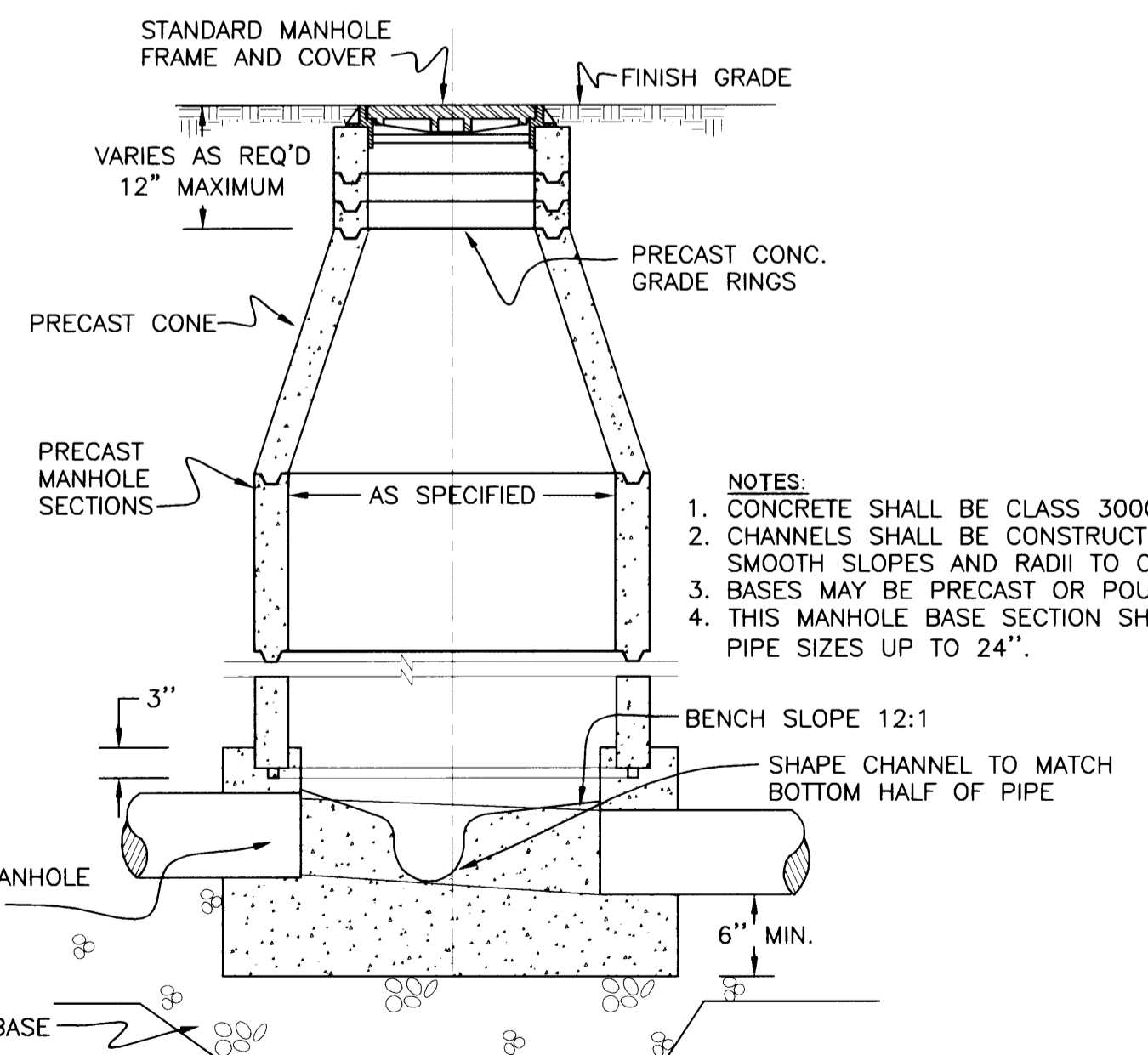
TYPICAL STORM LINE TRENCH DETAIL



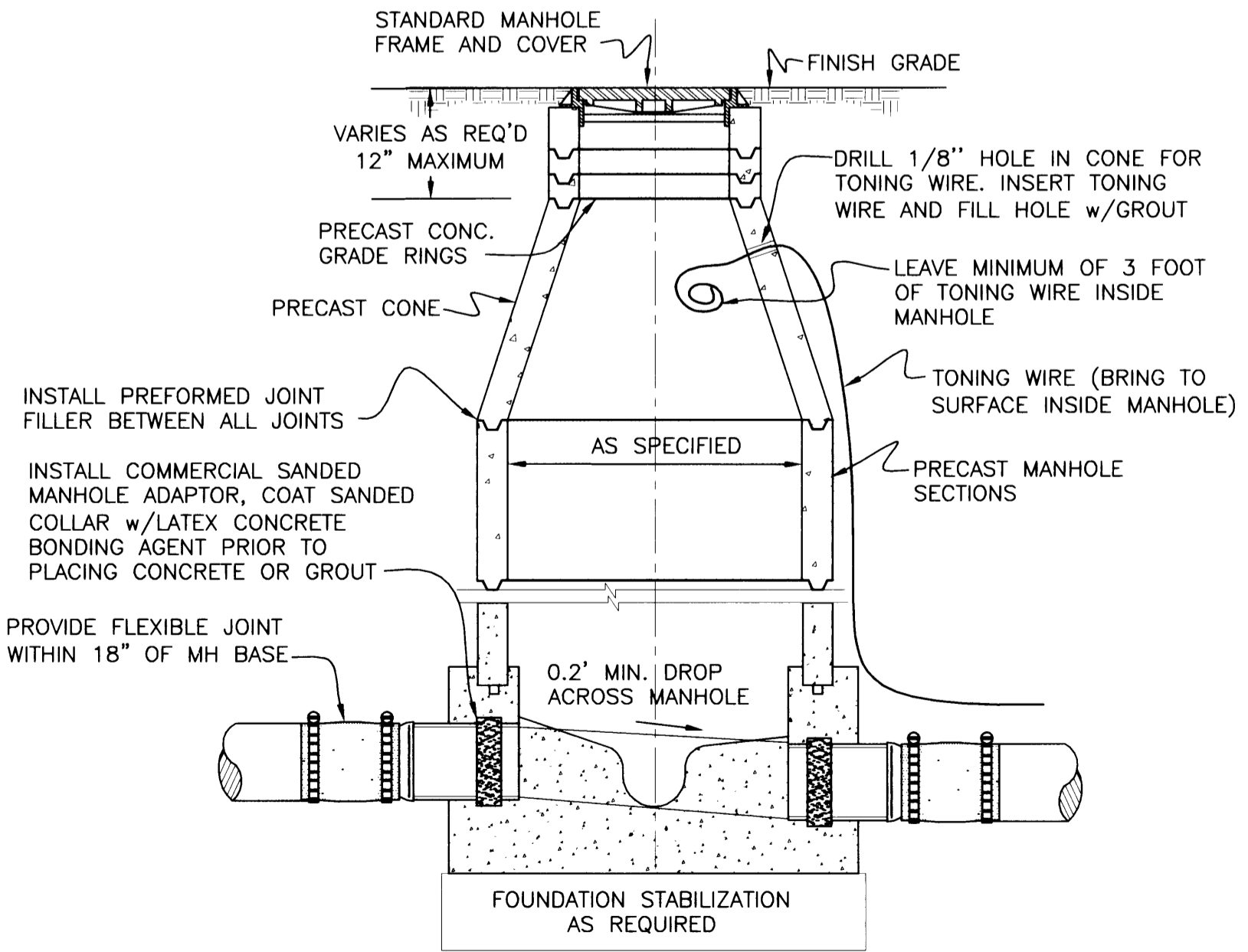
TYPICAL CURB AND GUTTER



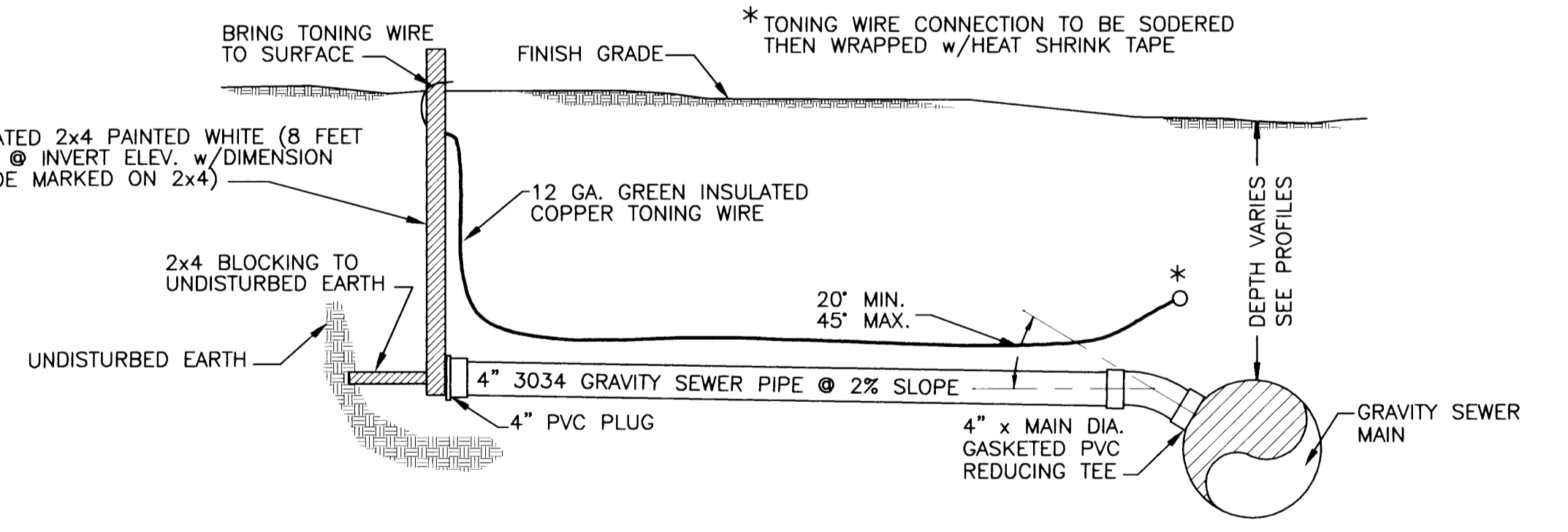
TYPICAL SEWER SERVICE LINE TRENCH DETAIL



TYPICAL STORM MANHOLE DETAIL



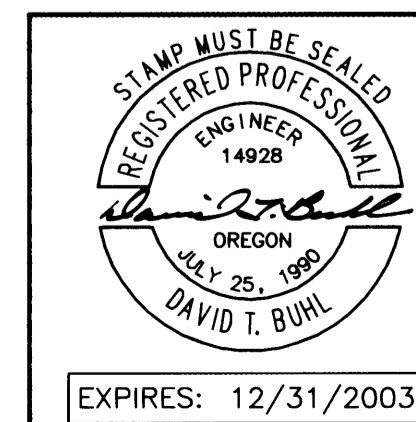
TYPICAL SANITARY MANHOLE DETAIL
(CAST IN PLACE)



TYPICAL 4" SEWER SERVICE CONNECTION DETAIL

CALL BEFORE YOU DIG!
 ONE CALL: (800) 332-2344
 OAR 952-001-0010 THROUGH
 OAR 952-001-0090

i.e. ENGINEERING
 741 SE Jackson Street
 Roseburg, Oregon 97470
 PHONE (541) 673-0166
 FAX (541) 440-9392



Rev.	Date	Dwg	Description
1	1/08/02	BWC	AGENCY REVIEWS
2	8/29/02	MLJ	AS-BUILTS PH. 3 (NO CHANGES)

Project Name:		PHASE 3 AND 4 SADDLE BUTTE RANCH	
Title:		DETAILS	
DES DTB	PROJECT NO.	140-74	
DWG BWC	DATE:	NOVEMBER 19, 2001	
CHK SNL	SCALE:	AS SHOWN	
APP SNL	SHEET:	8 OF 10	

Co. Rd. # 901A

CO. RD. # 901A DETAILS

901ADET1

DO NOT DUPLICATE