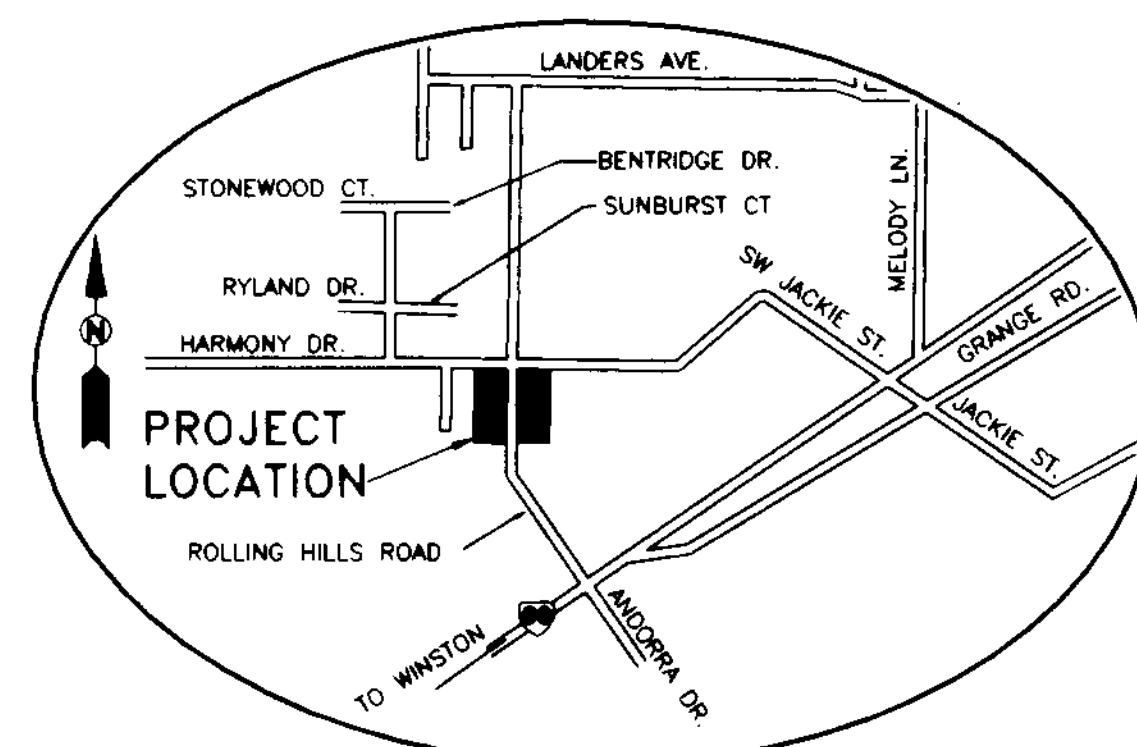
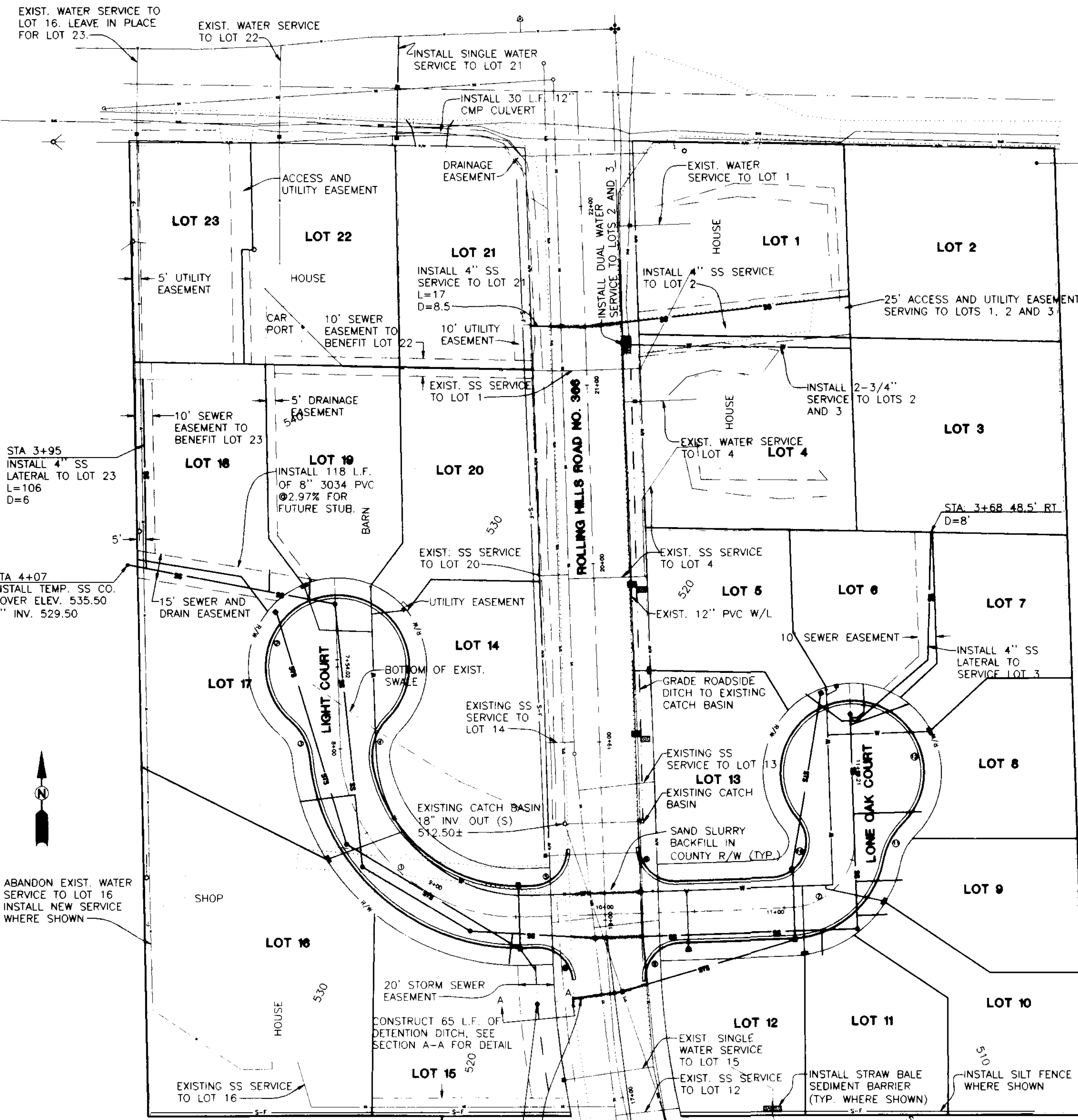


LONE OAK SUBDIVISION

FILED
 Date: 11/14/2000 By: SP
 This survey consists of:
 Map:
 Narrative:
 Corner Rpt:
DOUGLAS COUNTY SURVEYOR



VICINITY MAP

GENERAL COUNTY NOTES

- THE 1990 EDITION OF THE STANDARD SPECIFICATIONS FOR PUBLIC WORKS CONSTRUCTION WITH THE LATEST REVISIONS PREPARED BY THE AMERICAN PUBLIC WORKS ASSOCIATION OREGON CHAPTER WILL BE CONSIDERED THE STANDARD SPECIFICATIONS.
- TRENCH BACKFILL SHALL BE CLASS B (3/4" - 0" CRUSHED ROCK) UNDER ALL STREETS AND PARKING LOTS, AND CLASS A (SUITABLE EXCAVATED MATERIAL) ELSEWHERE UNLESS SHOWN DIFFERENT ON TRENCH DETAIL OR IN SPECS. ALL TRENCHES WILL BE COMPACTED WITH HAND OPERATED PNEUMATIC COMPACTOR.
- THE CONTRACTOR SHALL REPLACE ANY AND ALL SURVEY MONUMENTS WHICH ARE AFFECTED BY THE CONSTRUCTION. ALL MONUMENTS WILL BE RESET BY A LICENSED LAND SURVEYOR.
- LOCATIONS SHOWN ON ENGINEERING DRAWINGS ARE APPROXIMATE. THE EXACT LOCATION WILL BE STAKED IN THE FIELD BY THE ENGINEER. CONTRACTOR TO GIVE 7 DAYS NOTICE TO ENGINEER FOR STAKES.
- CONTRACTOR SHALL MAINTAIN A MINIMUM HORIZONTAL SEPARATION OF 10 FEET BETWEEN WATER MAIN AND SEWER MAINS MEASURED EDGE TO EDGE.
- INSULATED COPPER TONING WIRE APPROVED FOR DIRECT BURY SHALL BE PLACED IN ALL TRENCHES WHERE PIPE HAS BEEN LAID. ALL TONE WIRE SHALL BE TESTED PRIOR TO ACCEPTANCE.
- THE CONTRACTOR SHALL NOTIFY ALL AFFECTED UTILITY COMPANIES FOR LOCATIONS OF MAINLINE AND SERVICE LINE LOCATIONS PRIOR TO DIGGING. UTILITIES WHICH ARE DAMAGED AND WERE MARKED PROPERLY WILL BE REPAIRED BY THE CONTRACTOR AT HIS COST. UTILITIES WHICH ARE DAMAGED BY THE CONTRACTOR THAT WERE UNMARKED OR IMPROPERLY MARKED WILL BE PAID FOR BY THE OWNER OF THE AFFECTED UTILITY. CONTRACTOR TO CONTACT ONE-CALL AT LEAST 48 HOURS PRIOR TO CONSTRUCTION AT 1-800-332-2344. ATTENTION: OREGON LAW REQUIRES YOU TO FOLLOW RULES ADOPTED BY THE OREGON UTILITY NOTIFICATION CENTER. THOSE RULES ARE SET FORTH IN OAR 952-001-0010 THROUGH OAR 952-001-0090. YOU MAY OBTAIN COPIES OF THE RULES BY CALLING THE CENTER.
- ENGINEER AND COUNTY TO BE NOTIFIED FOR INSPECTION AS SHOWN ON SCHEDULE OR AS SPECIFIED IN "GENERAL NOTES" FOR THAT SPECIFIC CONSTRUCTION ITEM.
- CONTRACTOR TO FIELD VERIFY TYPE, LOCATION, AND ELEVATIONS OF EXISTING UNDERGROUND UTILITIES PRIOR TO INSTALLATION OF NEW PIPING.

LEGEND

(ELEV.)	EXISTING ELEV.	TC= TOP OF CURB
---	NEW ELEV.	AC= ASPHALT
---	SAW CUT	BW= BACK OF WALK
---	EXISTING EDGE OF AC OR GRAVEL	FG= FINISH GRADE
---	EXISTING POWER	
---	EXISTING GAS	
---	EXISTING RIGHT-OF-WAY	
---	NEW RIGHT-OF-WAY	
---	EXISTING FENCE	
---	NEW FENCE	
---	EXISTING WATER	
---	NEW WATER	
---	EXISTING STORM SEWER (STS)	
---	NEW STORM SEWER (STS)	
---	EXISTING SANITARY SEWER (SS)	
---	NEW SANITARY SEWER (SS)	
---	SILT FENCE (S-F)	
---	NEW ELECTRICAL CONDUIT	
---	EXISTING CURB INLET (CI)	
---	NEW CURB INLET (CI)	
---	EXISTING CATCH BASIN (CB)	
---	NEW CATCH BASIN (CB)	
---	CLEANOUT	
---	GUY WIRE	
---	GAS METER	
---	EXISTING FIRE HYDRANT	
---	NEW FIRE HYDRANT	
---	LANDSCAPING	
---	EXISTING VALVE	
---	NEW VALVE	
---	EXISTING MANHOLE (MH)	
---	NEW MANHOLE (MH)	
---	POWER POLE	
---	PHONE PED	
---	EXISTING LIGHT POLE	
---	NEW LIGHT POLE	
---	MAIL BOX	
---	EXISTING WATER SERVICE	
---	NEW WATER SERVICE	

DOUGLAS COUNTY INSPECTION SCHEDULE

DOUGLAS COUNTY SHALL BE NOTIFIED FOR INSPECTION AT LEAST 24 HOURS PRIOR TO THE ACCOMPLISHMENT OF THE FOLLOWING STAGES OF CONSTRUCTION. PHONE: 440-4481

- ANY STORM SEWER CONSTRUCTION (INCLUDING STRUCTURES)
- FINISH SUB-GRADE (PRIOR TO FABRIC INSTALLATION)
- SOIL STABILIZATION FABRIC INSTALLATION
- ANY CONCRETE WORK
- FINISH BASE COURSE GRADE
- PAVING

NONE OF THE ABOVE ITEMS OF WORK IN COUNTY SHALL BE COVERED UNTIL INSPECTED BY DOUGLAS COUNTY.

CALL BEFORE YOU DIG !
 ONE CALL: (800) 332-2344
 ORS 757.541 TO 757.571

i.e. ENGINEERING
 741 SE Jackson Street
 Roseburg, Oregon 97470
 PHONE (541) 673-0166
 FAX (541) 440-9392

Project Name: **LONE OAKS SUBDIVISION**

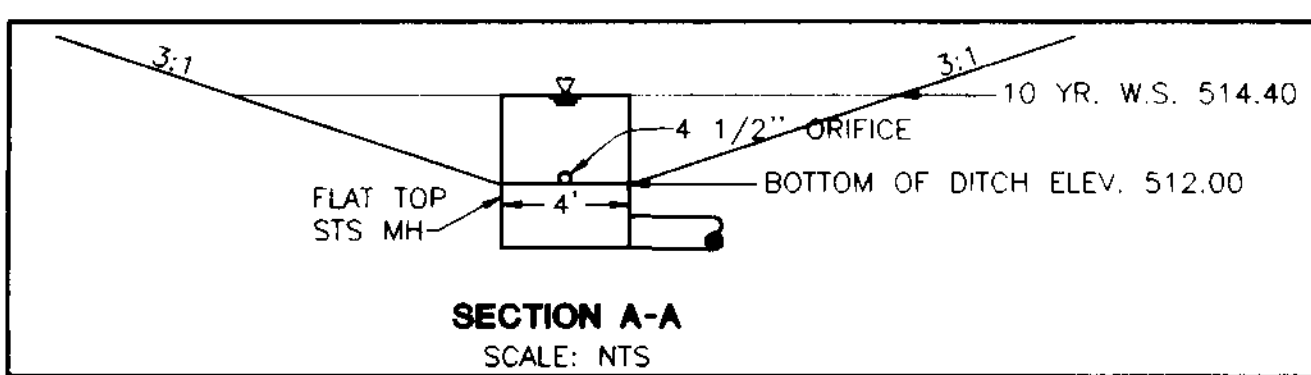
Title: **COVER SHEET OVERALL AND GENERAL NOTES**

DES RJS	PROJECT NO. 1339-03
DWG MLJ	DATE: MARCH 10, 1999
CHK SNL	SCALE: 1" = 40'
APP SNL	SHEET: 1 OF 5

DO NOT DUPLICATE

SHEET INDEX

- OVERALL & GENERAL NOTES
- PLAN & PROFILE
- STANDARD DRAWINGS
- ROBERT'S CREEK WATER DISTRICT STANDARD DRAWINGS
- GREEN SANITARY DISTRICT STANDARD DRAWINGS
- EROSION CONTROL STANDARD DRAWINGS



407BCOVR