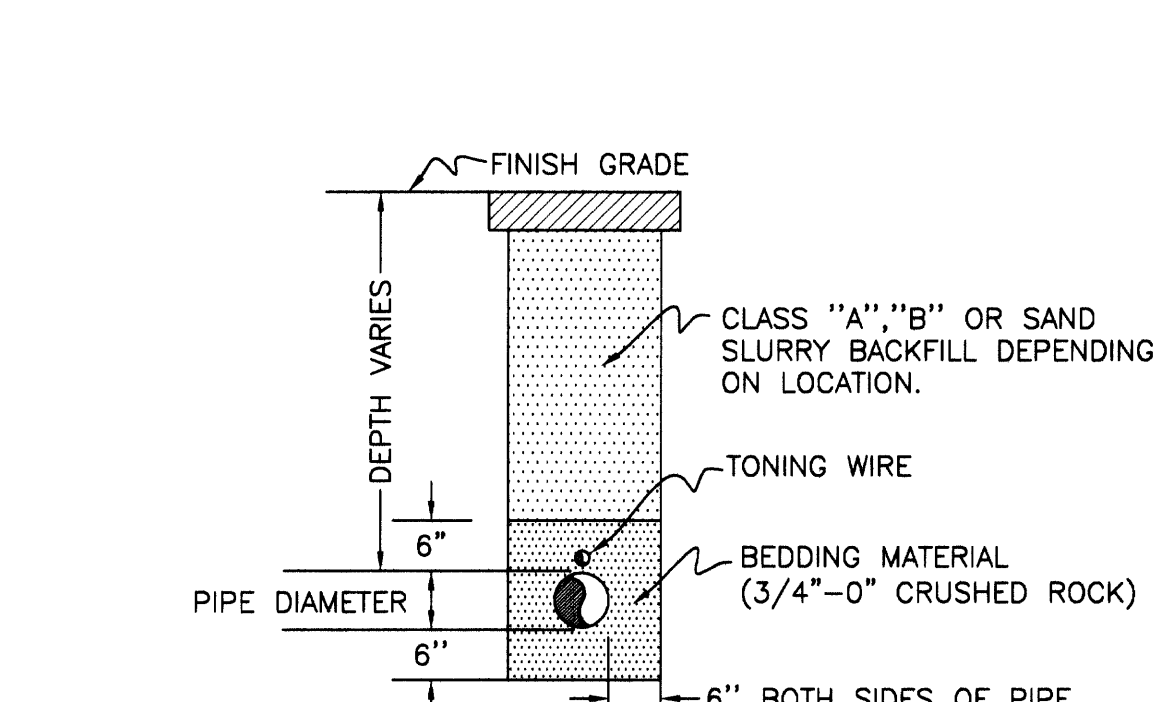
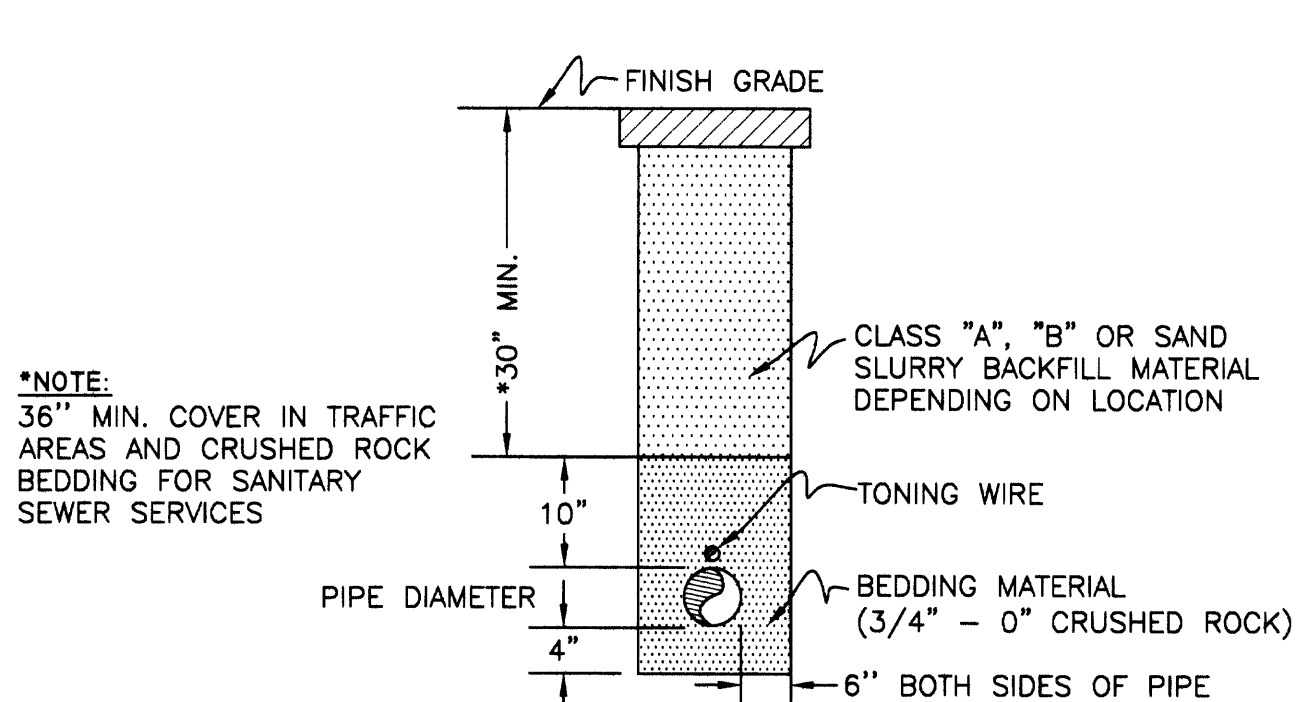


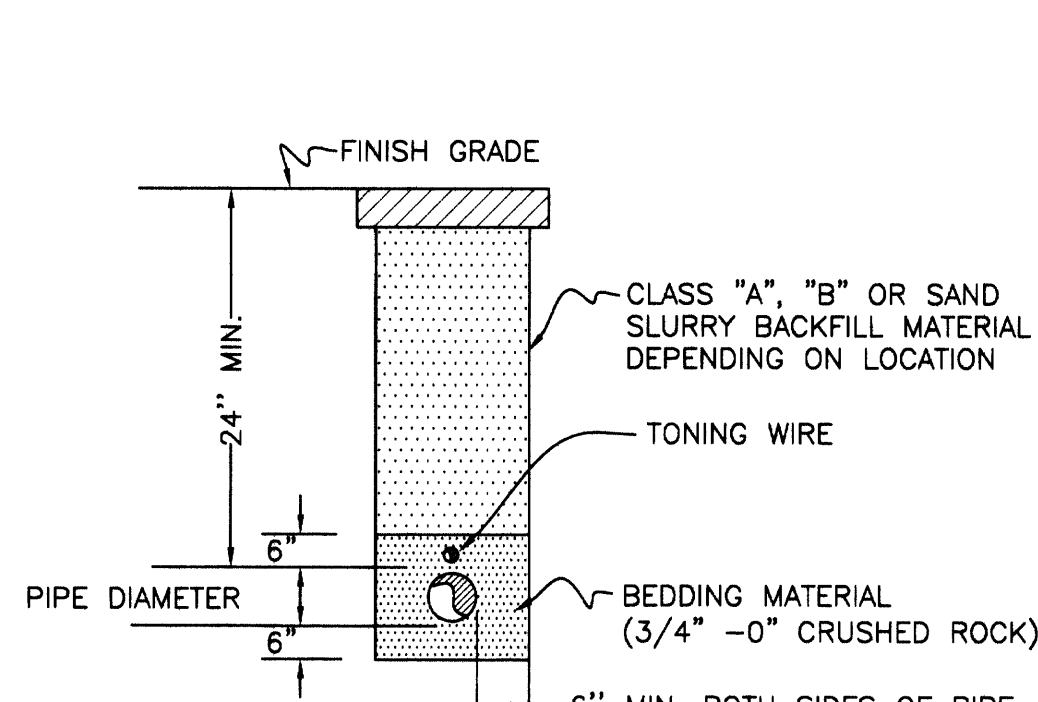
TYPICAL CURB INLET DETAIL



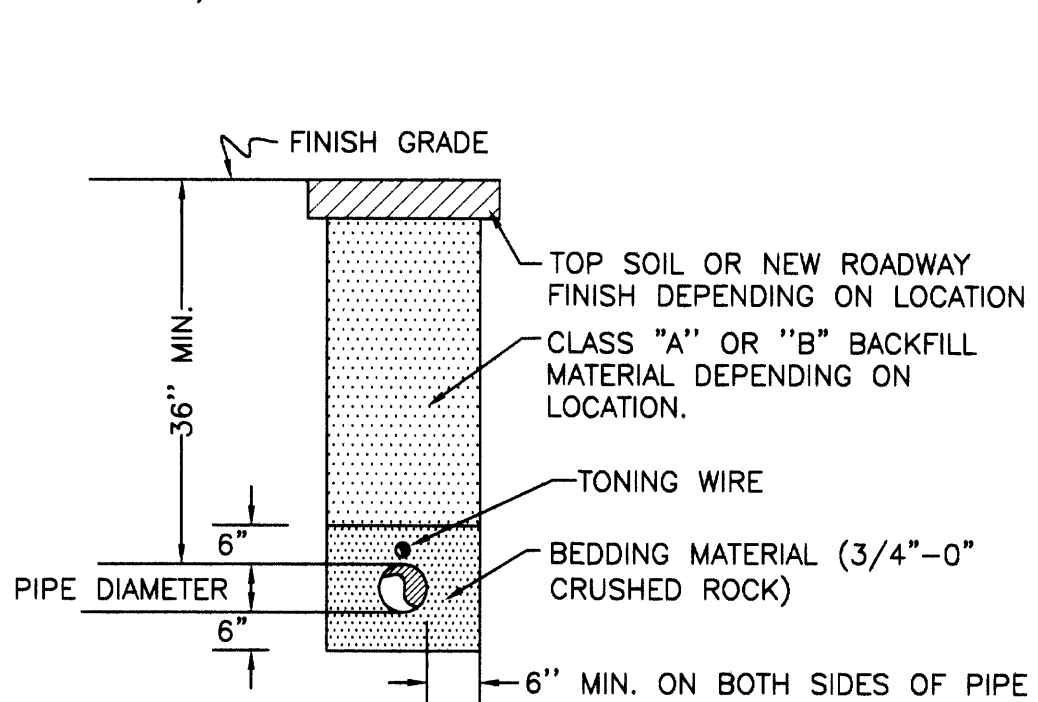
TYPICAL STORM LINE TRENCH DETAIL



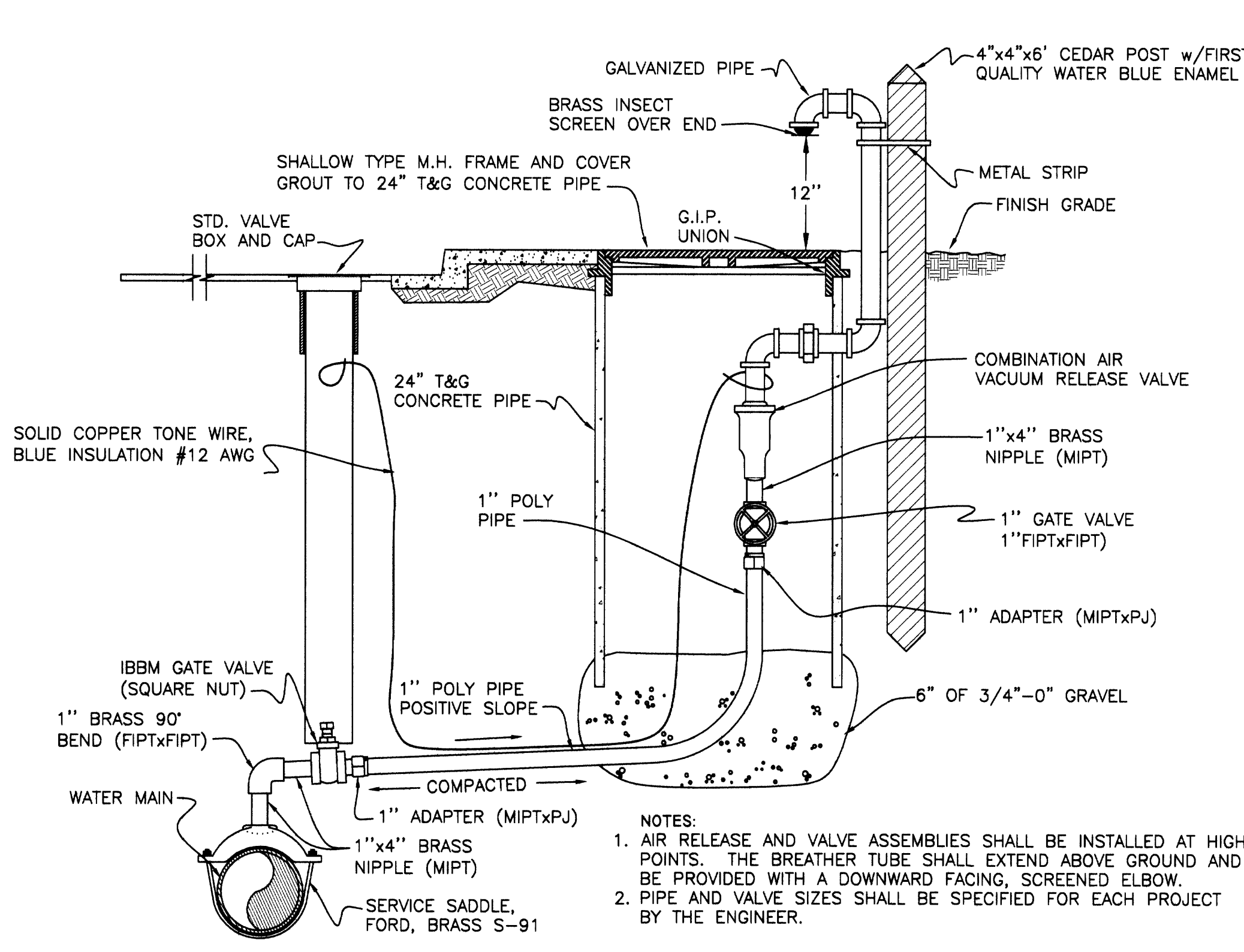
TYPICAL SEWER SERVICE LINE TRENCH DETAIL



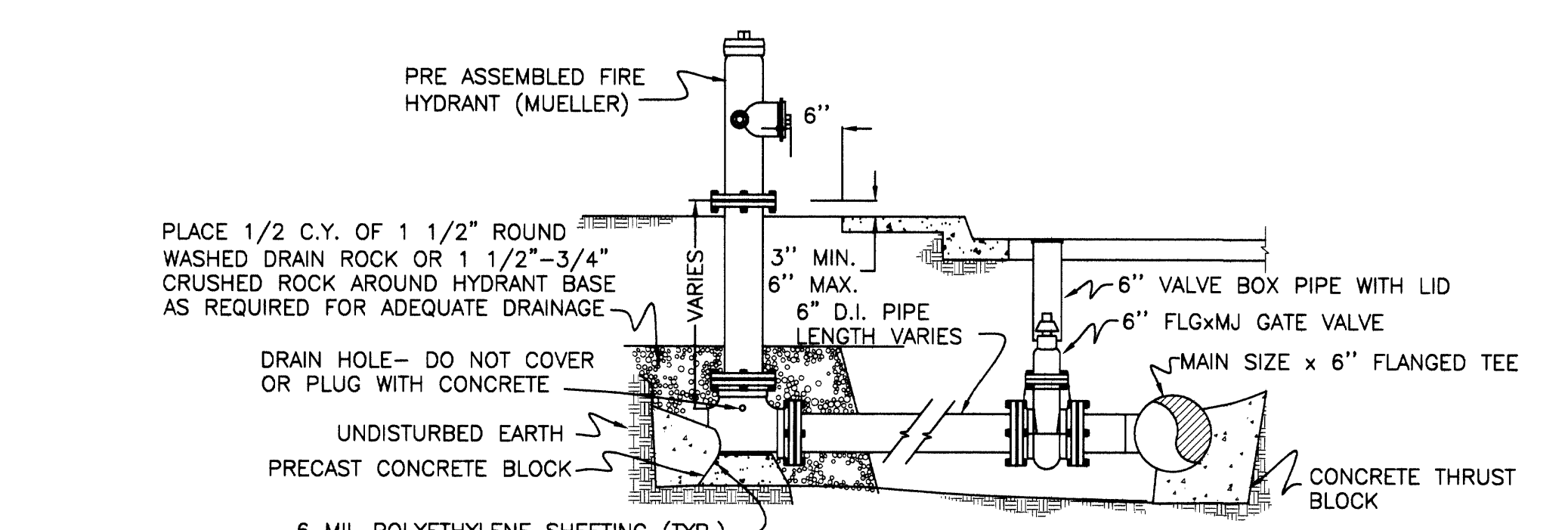
TYPICAL SERVICE LINE TRENCH DETAIL



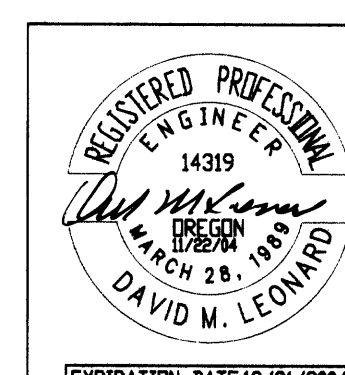
TYPICAL WATER MAINLINE TRENCH DETAIL



TYPICAL COMBINATION AIR-RELEASE AND VALVE ASSEMBLY 106



TYPICAL FIRE HYDRANT INSTALLATION 104 (THRUST BLOCKED)



COPYRIGHT © 2004 PINNACLE ENGINEERING ALL RIGHTS RESERVED. THIS DRAWING MAY BE UTILIZED ONLY FOR THE PURPOSE OF CONSTRUCTING OR INSTALLING THE WORK SHOWN HEREON AT THE SITE OR THE WORK SPECIFIED. ANY OTHER USE OF THIS DRAWING, INCLUDING WITHOUT LIMITATION ANY REPRODUCTION OR ALTERING OF THIS DRAWING, WITHOUT THE PRIOR WRITTEN APPROVAL OF PINNACLE ENGINEERING, INC. IS PROHIBITED.

FILED
 Date: 6/27/2004 By: J.P.
 This survey consists of:
 Map:
 No. of lots:
 Corner Iq:
 DOUGLAS COUNTY SURVEYOR

DATE	BY	REVISIONS

ROSEWOOD ESTATES - PHASE VI
 DETAILS - AS BUILT
 LITTLE VALLEY RD.



3329 NE STEPHENS
 ROSELBURG, OR 97470
 PH: (541) 440-4871
 FX: (541) 672-0677

DESIGN BY:
 JCB

DRAWN BY:
 JCB
 DATE: 11-12-04

SURVEYED BY:
 DATE:

CHECKED BY:
 DATE:

SCALE:
 AS SHOWN

PROJECT NO.
 20626.6

SHEET NO.
 7 OF 8

Co. Rd. #406, #406B, #406C

R406DET3