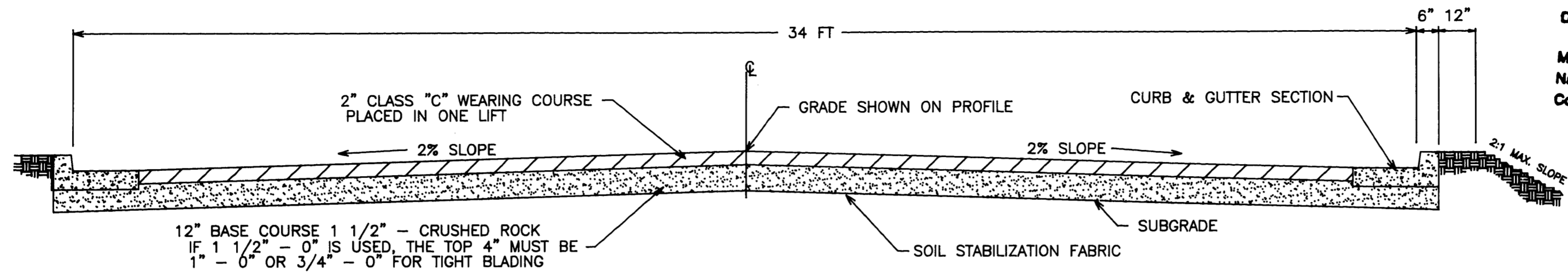


TYPICAL ASPHALT CONCRETE CROWN SECTION

AS-BUILT PLANS



FILED
 Date: 2/8/1999 By: JP
 This survey consists of:
 Map: Co. Rd. #404
 Narrative:
 Corner Rpt:
 DOUGLAS COUNTY SURVEYOR

PLANS PREPARED BY
 MAURICE E FARR
 PROFESSIONAL ENGINEER
 395 NE KIRBY AVENUE
 ROSEBURG, OR 97470
 PH (541) 957-9442

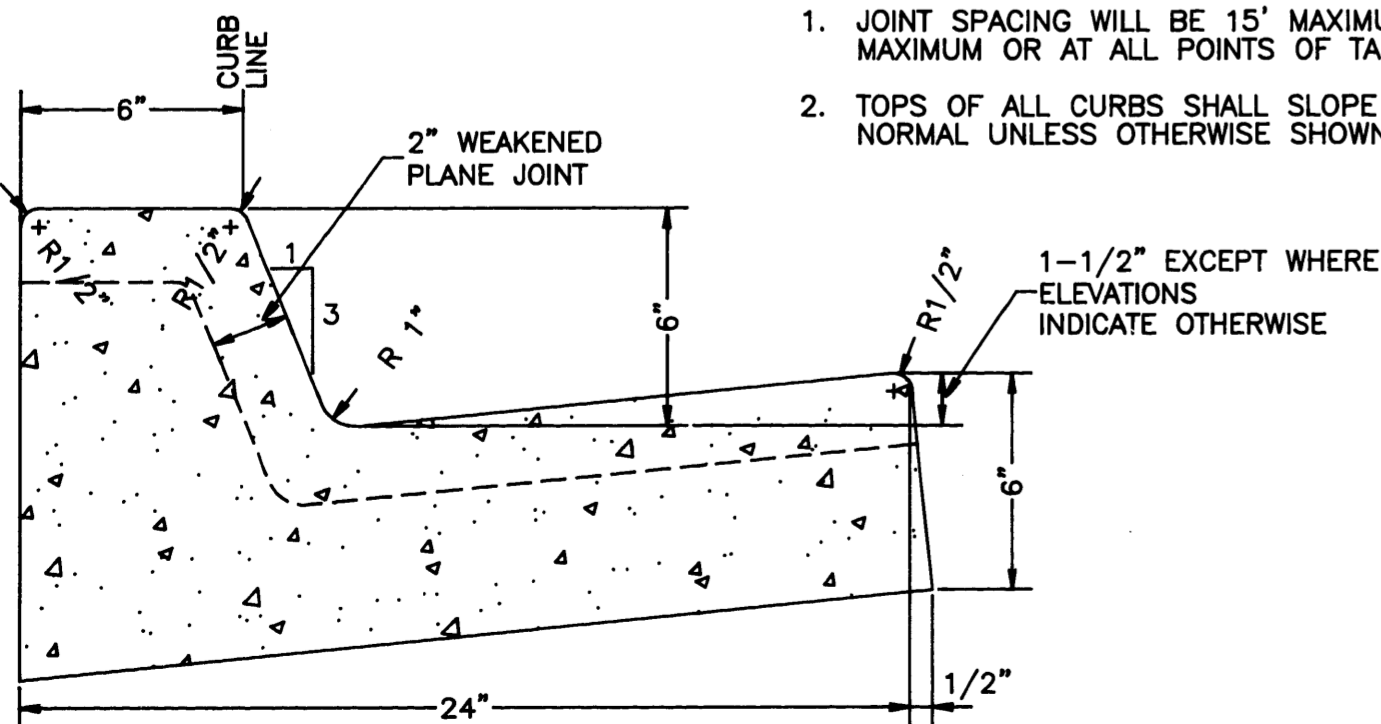
GENERAL NOTES

1. THE 1990 EDITION OF THE STANDARD SPECIFICATIONS FOR PUBLIC WORKS CONSTRUCTION PREPARED BY THE AMERICAN PUBLIC WORKS ASSOCIATION OREGON CHAPTER WILL BE CONSIDERED THE STANDARD SPECIFICATIONS WITH THE EXCEPTION OF DIVISION 1 AND ALL MEASUREMENT AND PAYMENT SECTIONS.
2. TRENCH BACKFILL SHALL BE CLASS "A" (3/4"-0 CRUSHED ROCK) UNDER ALL STREETS BACK OF SIDEWALK TO BACK OF SIDEWALK, AND CLASS "C" (SUITABLE EXCAVATED MATERIAL) ELSEWHERE UNLESS SHOWN DIFFERENT ON TRENCH DETAIL OR IN SPECIFICATIONS. ALL TRENCHES SHALL BE COMPACTED WITH HAND OPERATED PNEUMATIC COMPACTOR.
3. THE CONTRACTOR SHALL REPLACE ANY AND ALL SURVEY MONUMENTS WHICH ARE AFFECTED BY THE CONSTRUCTION. ALL MONUMENTS WILL BE RESET BY A LICENSED LAND SURVEYOR AND BACKCHARGED TO THE CONTRACTOR AT \$25.00 PER MONUMENT RESET. MONUMENT BOXES SHALL BE INSTALLED AT ALL PC'S, PT'S AND AT CENTER OF CUL DE SACS.
4. LOCATIONS SHOWN ON ENGINEERING DRAWINGS ARE APPROXIMATE. THE EXACT LOCATION WILL BE STAKED IN THE FIELD BY THE ENGINEER. CONTRACTOR TO GIVE 7 DAYS NOTICE TO THE ENGINEER FOR STAKES.
5. CONTRACTOR SHALL MAINTAIN A MINIMUM HORIZONTAL SEPARATION OF 10 FEET BETWEEN WATER MAIN AND SEWER MAINS MEASURED EDGE TO EDGE.
6. 14 GAGE STRANDED COPPER TONING WIRE WITH GREEN THHN INSULATION SHALL BE PLACED IN ALL SEWER TRENCHES WHERE PIPE HAS BEEN LAID
7. THE CONTRACTOR SHALL NOTIFY ALL AFFECTED UTILITY COMPANIES FOR LOCATIONS OF MAINLINE AND SERVICE LINE LOCATIONS PRIOR TO DIGGING. UTILITIES WHICH ARE DAMAGED AND WERE MARKED PROPERLY WILL BE REPAIRED BY THE CONTRACTOR AT HIS COST. UTILITIES WHICH ARE DAMAGED BY THE CONTRACTOR THAT WERE UNMARKED OR IMPROPERLY MARKED WILL BE PAID FOR BY THE OWNER OF THE AFFECTED UTILITY. CONTRACTOR TO CONTACT "ONE-CALL" AT LEAST 48 HOURS PRIOR TO CONSTRUCTION AT 1-800-332-2344.
8. CONTRACTOR SHALL CONSTRUCT ALL TRENCHES NEEDED TO INSTALL POWER DISTRIBUTION LINES AND INSTALL ALL CONDUIT AND BASES FOR STREET LIGHTS PER PLAN. SOURCE, SIZE AND CONSTRUCTION METHOD SHALL BE PER PACIFIC POWER DIRECTION.

GENERAL STREET IMPROVEMENT NOTES

1. ALL STREET IMPROVEMENT WORK SHALL BE IN CONFORMANCE WITH THE LATEST DOUGLAS COUNTY PUBLIC WORKS DEPARTMENT DESIGN STANDARDS AND STANDARD DRAWINGS. IN CASE OF CONFLICT, THE DOUGLAS COUNTY STANDARDS SHALL TAKE PRECEDENCE OVER THE STANDARD SPECIFICATIONS.
2. ALL ASPHALT PAVEMENT SHALL BE "C" MIX MEETING OREGON DEPARTMENT OF TRANSPORTATION STANDARDS. ASPHALT PAVEMENT SHALL HAVE A NOMINAL DEPTH OF 2" COMPACTED AND SHALL BE PLACED IN ONE LIFT. ALL EDGES SHALL BE COMPLETELY COATED WITH TACK OIL.
3. ALL CONCRETE USED IN CATCH BASINS, SIDEWALKS AND CURBS SHALL HAVE STRENGTH OF 3300 PSI AT 28 DAYS.

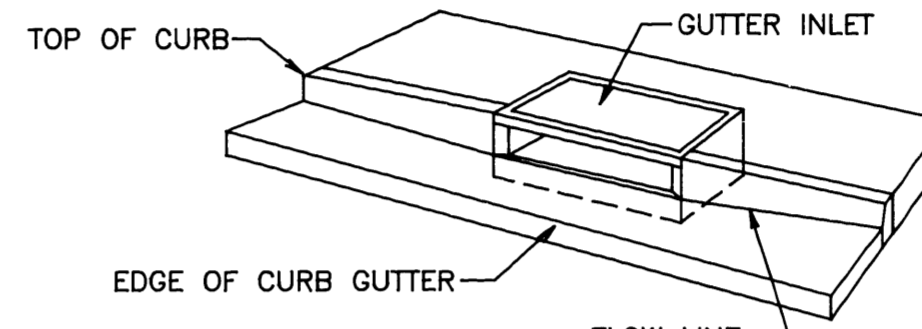
CURB & GUTTER



NOTES:

1. JOINT SPACING WILL BE 15' MAXIMUM FOR CONTRACTION AND 200' MAXIMUM OR AT ALL POINTS OF TANGENCY FOR EXPANSION.
2. TOPS OF ALL CURBS SHALL SLOPE TOWARD THE ROADWAY 0.02' NORMAL UNLESS OTHERWISE SHOWN OR AS DIRECTED.

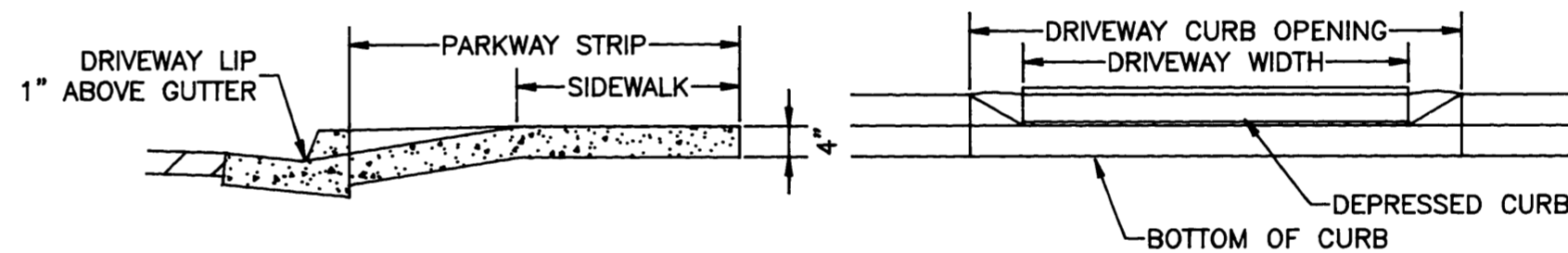
GUTTER INLET



NOTE:
 FOR COMPLETE DETAILS FOR GUTTER INLET, SEE THE FOLLOWING DOUGLAS COUNTY PUBLIC WORKS STANDARD DETAIL SHEETS:

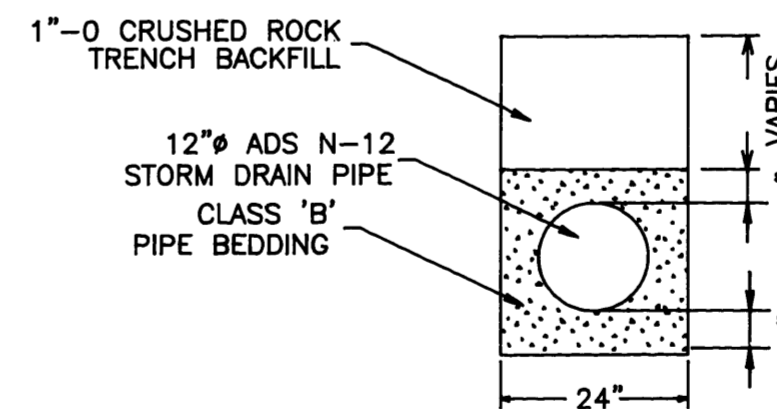
- GUTTER INLET S-29
- GUTTER INLET COVER S-30A

DRIVEWAY SECTION



TYPICAL ADS STORM SEWER TRENCH CONSTRUCTION

NO SCALE

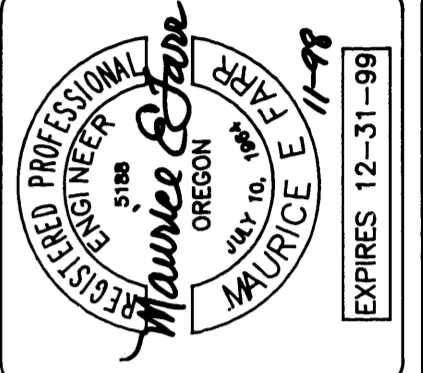


DOUGLAS COUNTY PUBLIC WORKS INSPECTION SCHEDULE

DOUGLAS COUNTY PUBLIC WORKS SHALL BE NOTIFIED FOR INSPECTION AT LEAST 24 HOURS PRIOR TO THE ACCOMPLISHMENT OF THE FOLLOWING STAGES OF CONSTRUCTION:

1. ANY STORM SEWER CONSTRUCTION (INCLUDING STRUCTURES)
2. FINISH SUB-GRADE. (PRIOR TO FABRIC INSTALLATION)
3. SOIL STABILIZATION FABRIC INSTALLATION
4. ANY CONCRETE WORK
5. FINISH BASE COURSE GRADE
6. PAVING

NONE OF THE ABOVE ITEMS OF WORK SHALL BE COVERED UNTIL APPROVED BY DOUGLAS COUNTY DEPARTMENT OF PUBLIC WORKS.



KOOKEN ESTATES

ROBERT KOOKEN
 ROSEBURG, OR 97470
 PH (541) 679-3477

CONSTRUCTION DETAILS

NOVEMBER 1998

SHEET
 2 OF 2