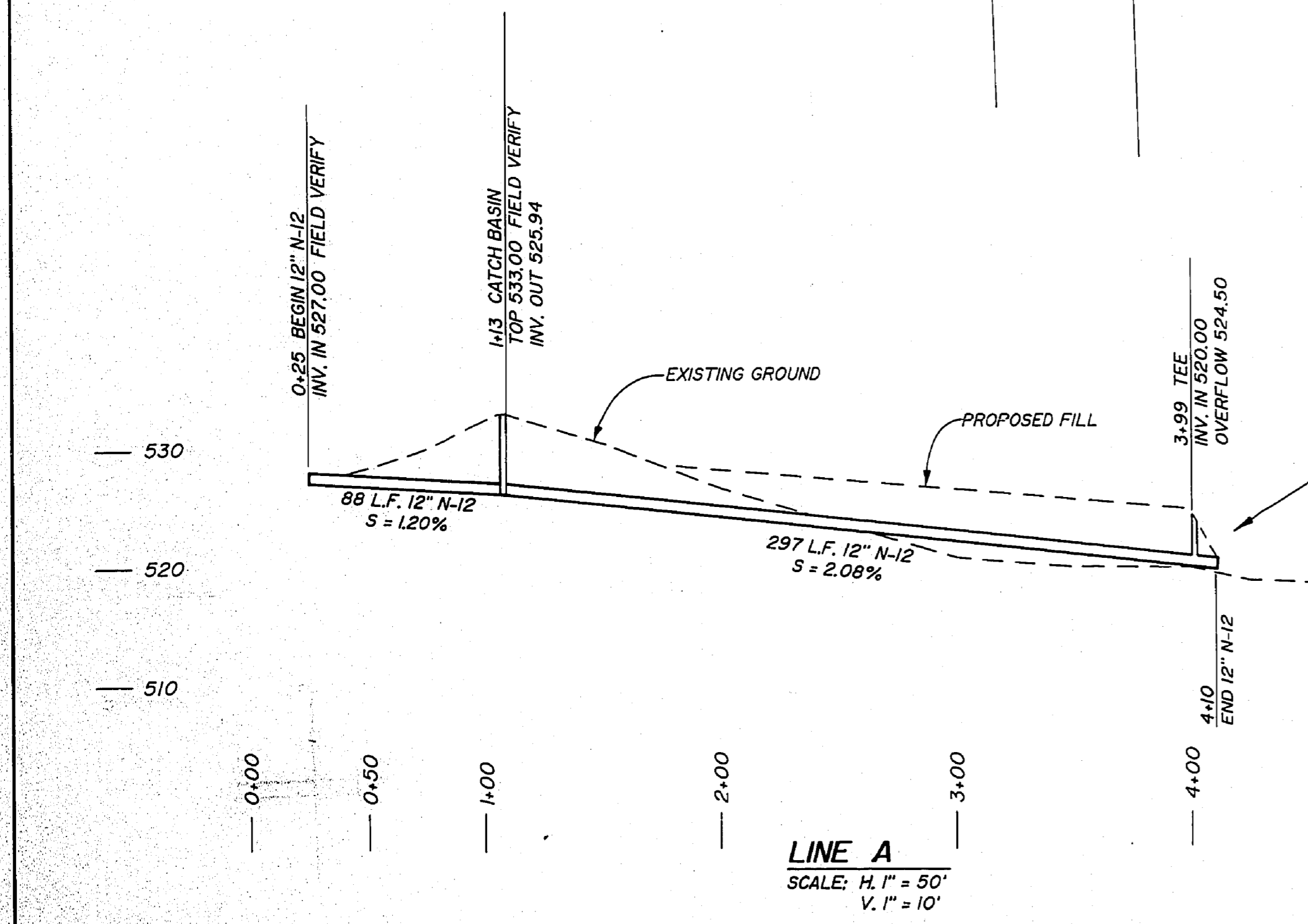
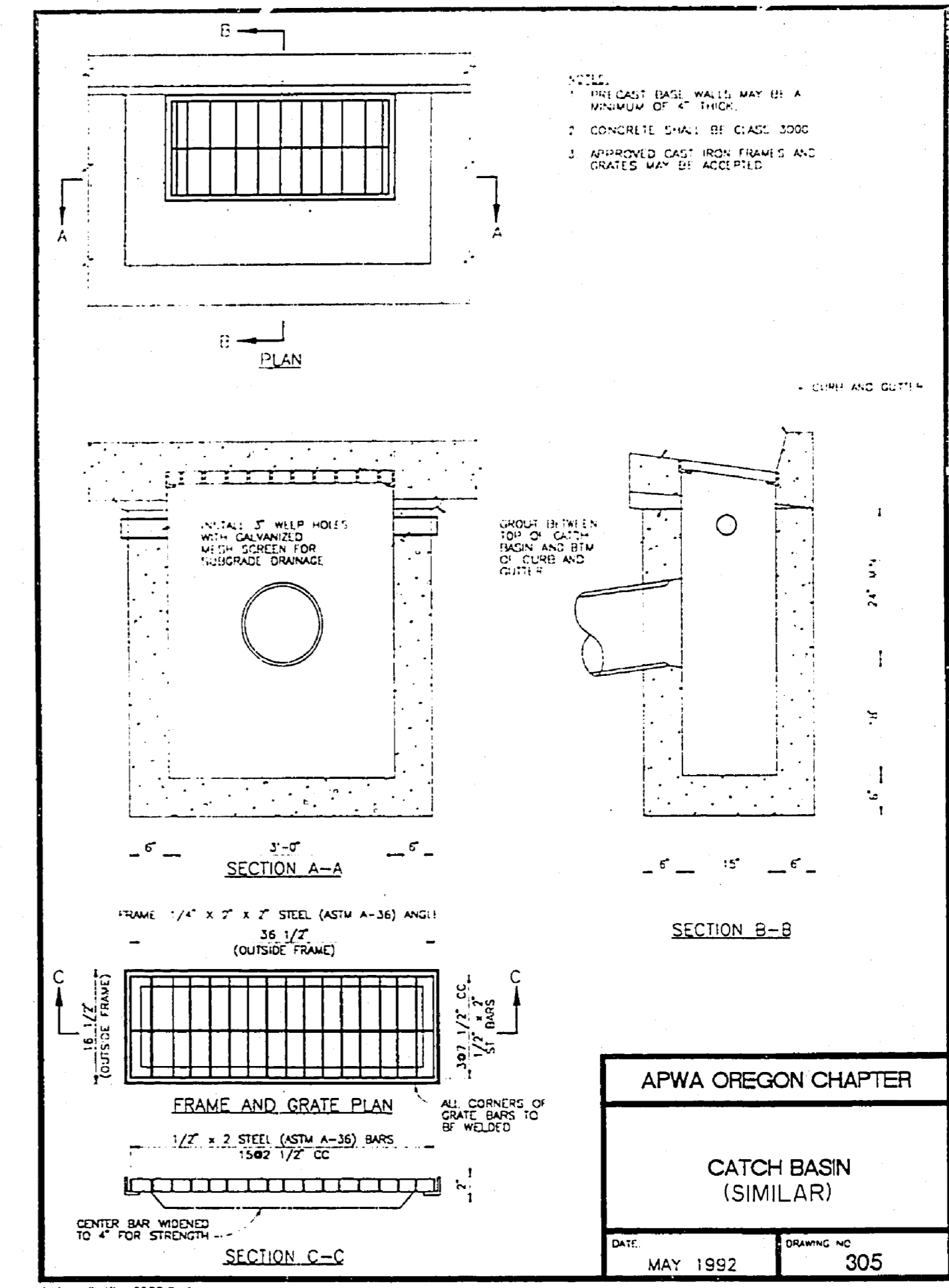
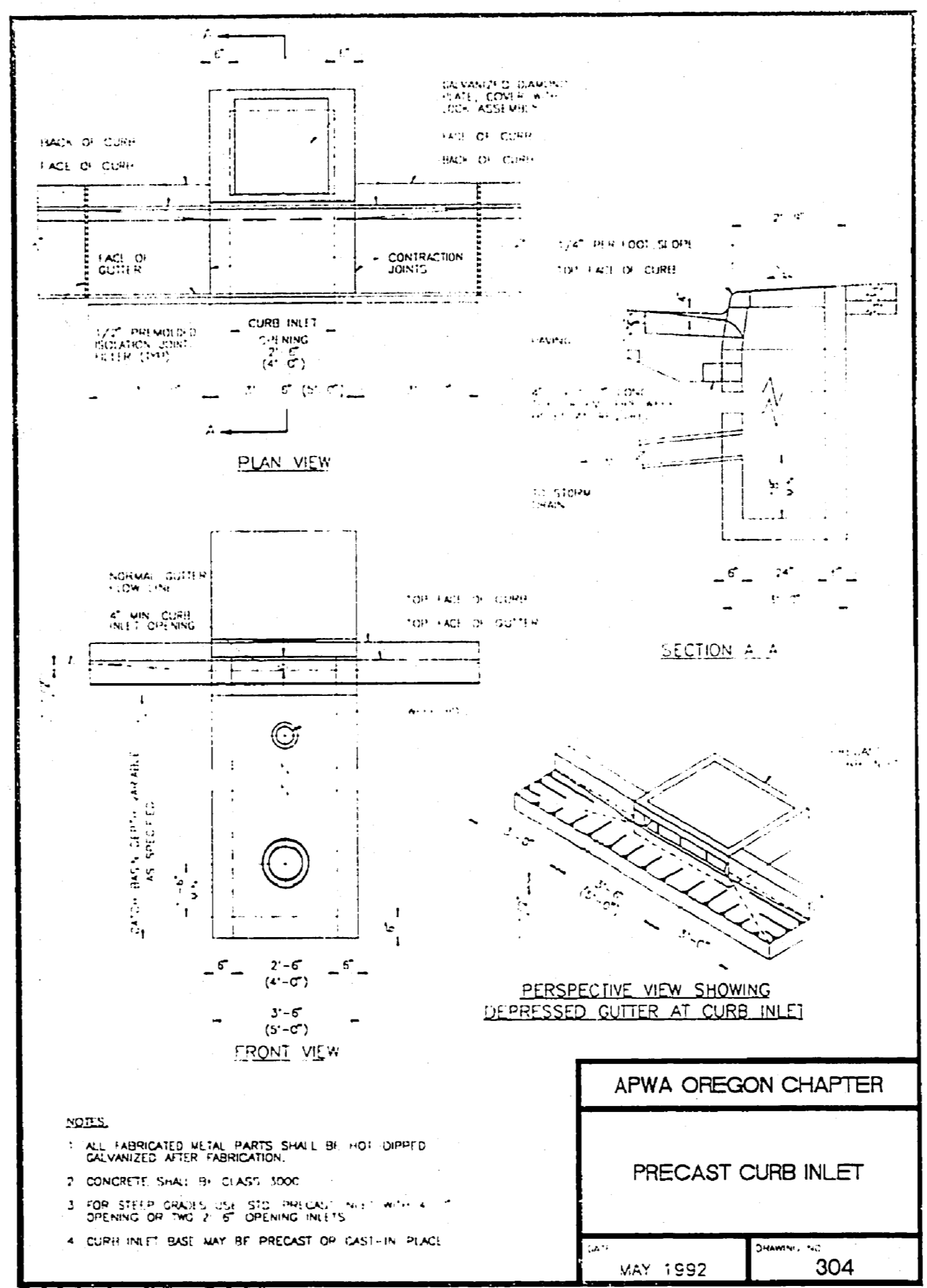
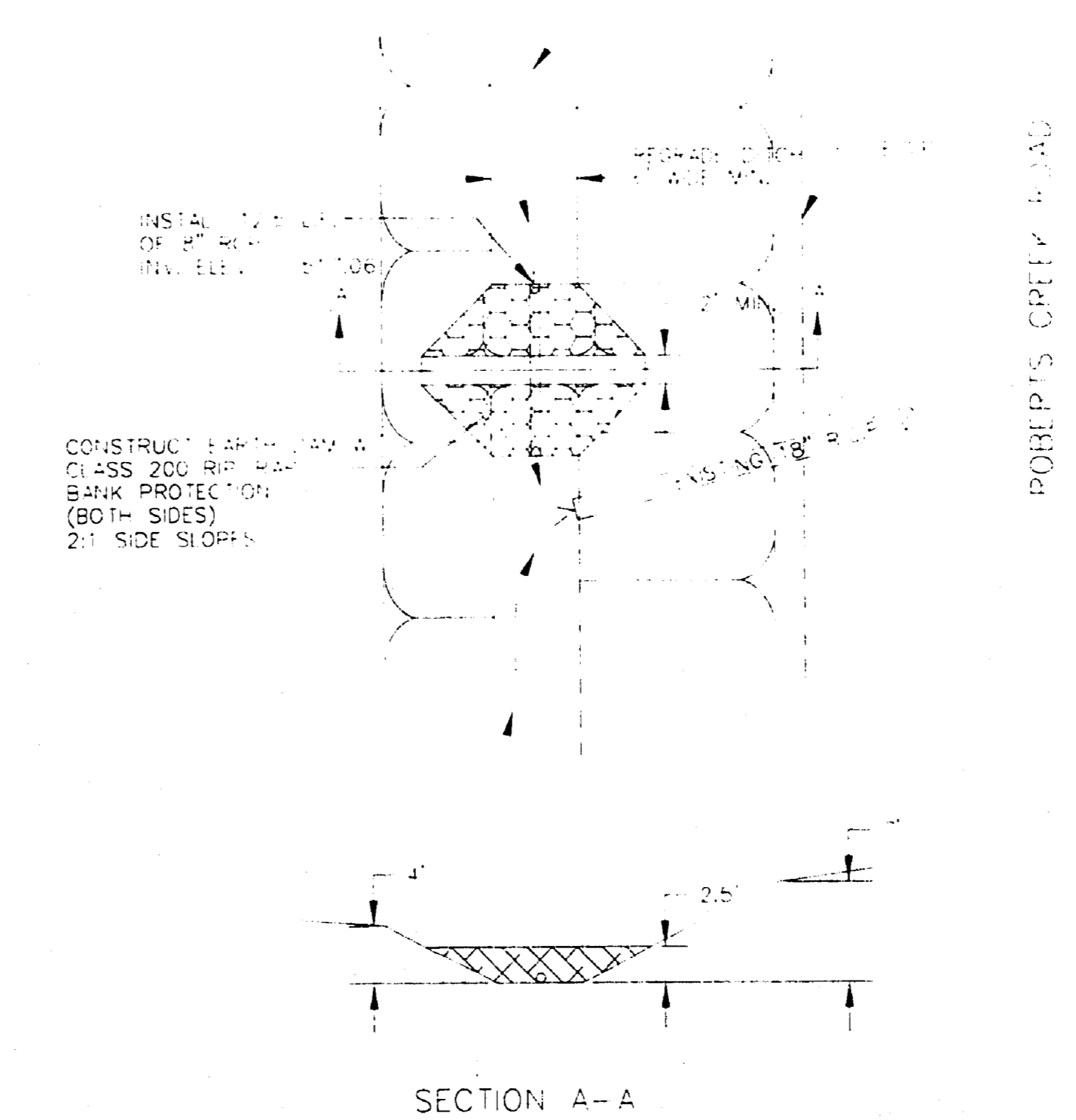
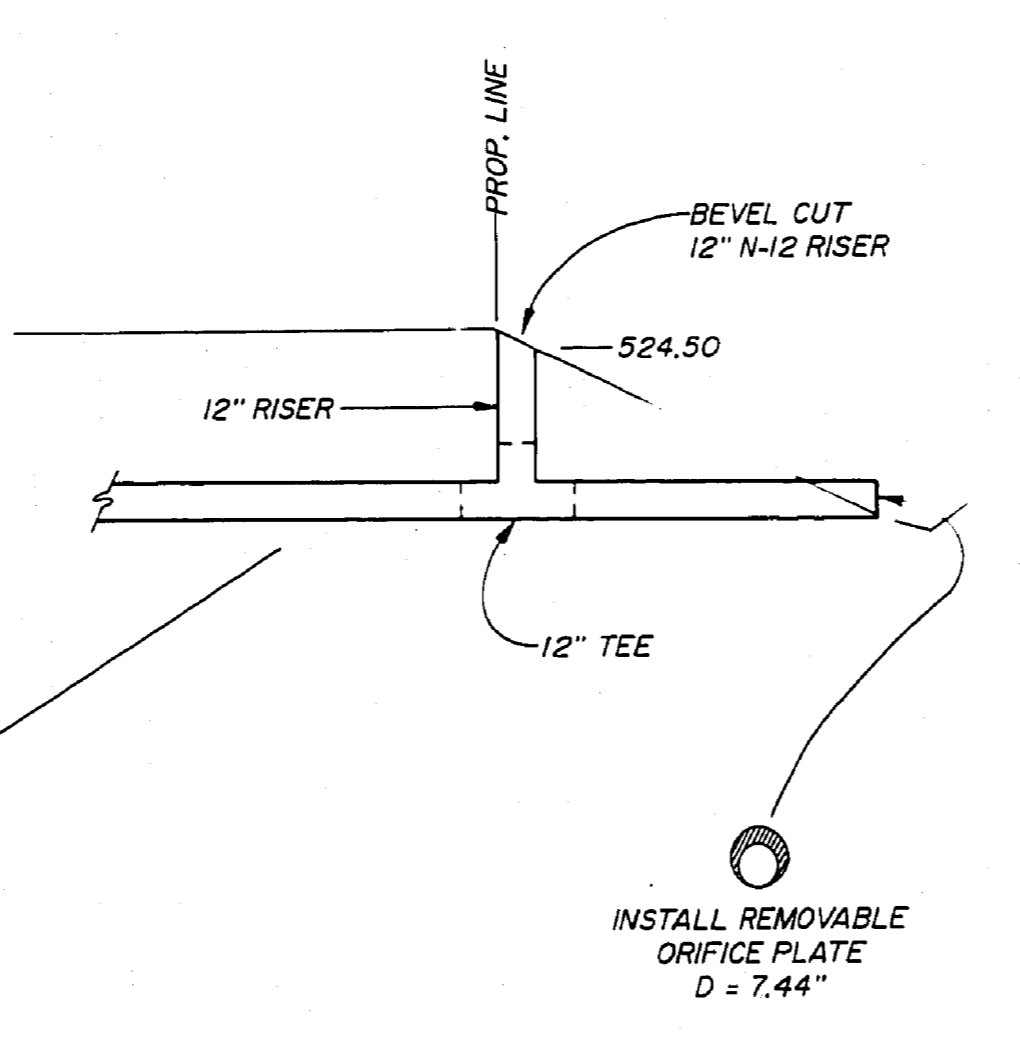


PLAN
SCALE: 1" = 50'



LINE A
SCALE: H. 1" = 50'
V. 1" = 10'

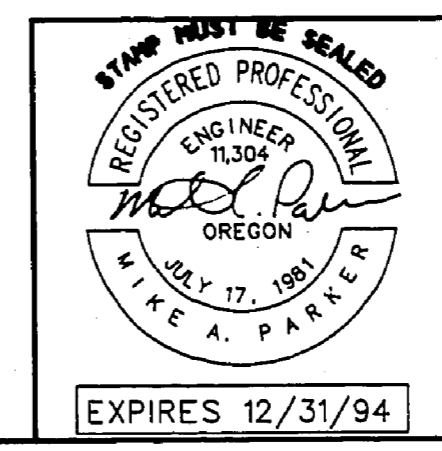


SECTION A-A

FILED
Date: 10-27-98 By: [Signature]
This survey consists of:
Map:
Narrative:
Corner Rpt:
DOUGLAS COUNTY SURVEYOR

i.e. 1205 S.E. Court Street
Roseburg, Oregon 97470
PHONE (503) 873-0166
ENGINEERING FAX (503) 440-9392

Project Name: MADISON HOMESITES	
Title: STORM DRAIN PLAN	
DES. O.K.	PROJECT NO. 730-01
DWG. D.F.	DATE: APRIL, 1994
CHK. O.K.	SCALE: 1" = 50'
APP. M.A.P.	SHEET 1 OF 1



Rev.	Date	Description
1	6/20/96	RETENTION FACILITY REVISION
2	10/9/98	AS-BUILTS