

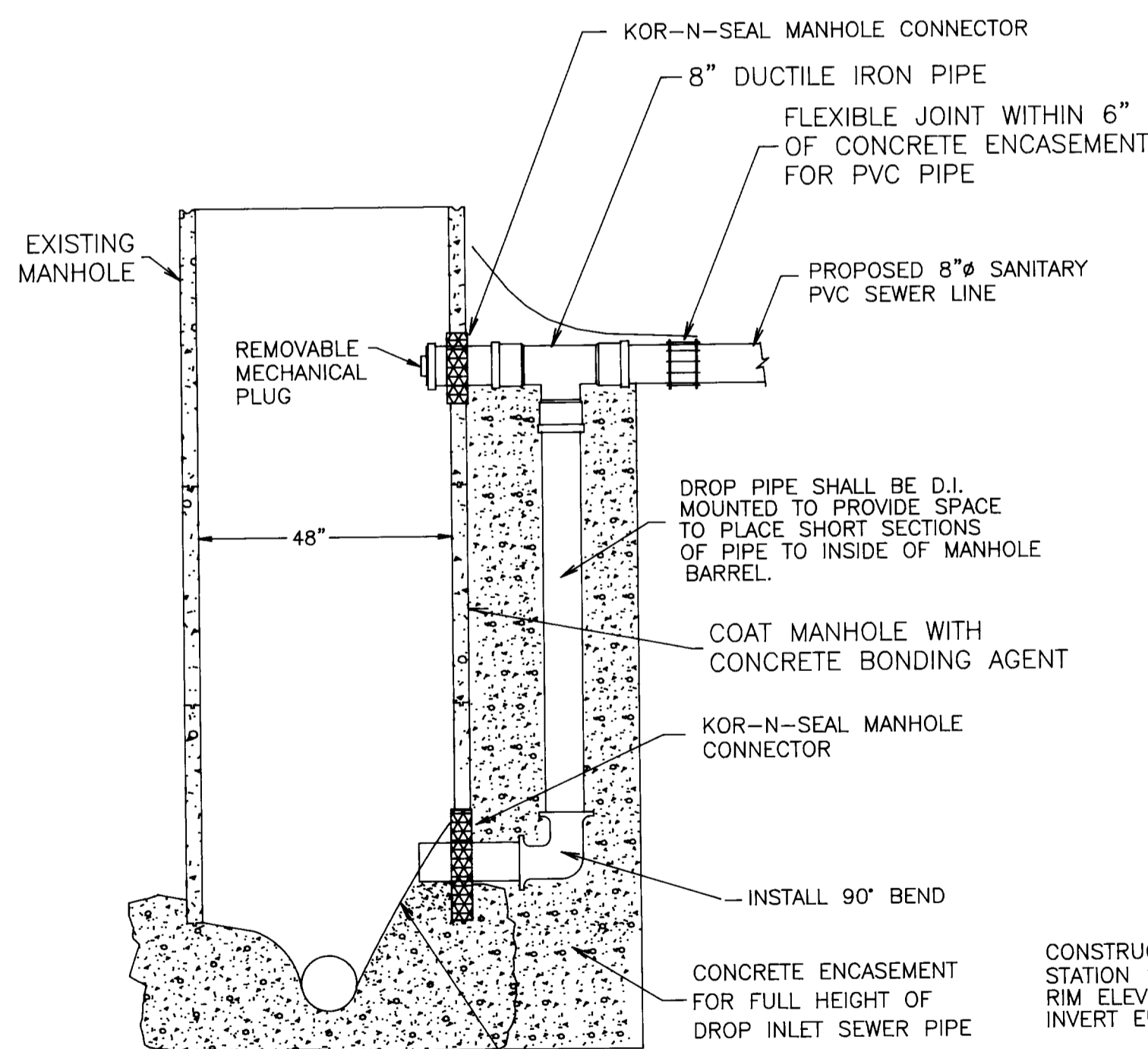
# GREEN SANITARY DISTRICT GENERAL CONSTRUCTION SPECIFICATIONS

- ALL SANITARY SEWER WORK SHALL BE IN CONFORMANCE WITH GREEN SANITARY DISTRICT'S STANDARDS, SPECIFICATIONS AND ORDINANCES.
- SANITARY BUILDING SEWERS SHALL BE CONSTRUCTED IN ACCORDANCE WITH OREGON STATE DEPARTMENT OF COMMERCE, BUILDING CODE (LATEST REVISION) AND ITS AMENDMENTS. 8" AND LARGER PUBLIC SEWERS SHALL BE CONSTRUCTED IN ACCORDANCE WITH DEQ STANDARDS FOR PUBLIC SEWERS AND TO THE LINES, GRADES AND DETAILS SHOWN ON THE PLANS. 4" AND 6" SANITARY BUILDING SEWERS SHALL BE PVC ASTM 3034. ALL LINES SHALL HAVE 12 GAGE INSULATED GREEN TONING WIRE INSTALLED IN THE TRENCH FOR FUTURE LOCATING. CONTRACTOR SHALL INSTALL SEWER LATERALS TO A POINT 5 FEET BEHIND THE PROPERTY LINE.
- ALL SANITARY BUILDING SEWERS SHALL BE AIR TESTED IN ACCORDANCE WITH APPLICABLE CODE.
- SANITARY SEWER PIPE SHALL BE PVC ASTM 3034 SDR 35. FOR GRADES OVER 15%, USE CEMENT LINED DUCTILE IRON PIPE.
- SANITARY SEWERS SHALL BE AIR TESTED IN ACCORDANCE WITH STANDARD SPECIFICATION, UNIBELL B-0.6.85, AFTER COMPACTION OF BACKFILL.
- CONCRETE SHALL BE CLASS 5 (1 1/2" MAXIMUM AGGREGATE SIZE) WITH 6 SACKS OF CEMENT PER CUBIC YARD OF CONCRETE, WITH A MINIMUM COMPRESSIVE STRENGTH OF NOT LESS THAN 3,000 P.S.I. AT 28 DAYS WHEN TESTED IN ACCORDANCE WITH ASTM C-39.86.
- WHEREVER SANITARY SEWERS CROSS WATER LINES WITH LESS THAN 18" VERTICAL CLEARANCE, THE SANITARY SEWER SHALL BE C900 PVC OR DUCTILE IRON PIPE 9" MINIMUM EACH SIDE OF WATER LINE.
- MANHOLES WILL BE TESTED ACCORDING TO 1990 APWA STANDARD SPECIFICATION 306.6.03. WATER TO BE FILLED TO THE RIM OR VACUUM TESTED IN ACCORDANCE WITH ASTM C-924.86.
- ALL MANHOLE CONNECTIONS TO BE FACTORY CONNECTORS WITH NON-SHRINK GROUT OR A CORED HOLE WITH FLEXIBLE BOOT, IE KOR-N-SEAL.
- CONTRACTOR TO PROVIDE PREFORMED PLASTIC GASKETS IN ALL MANHOLE JOINTS.
- GROUT USED TO INSTALL HEIGHT ADJUSTING RINGS, LID FRAMES AND BASES SHALL BE NON-SHRINK GROUT.
- USE COMMERCIAL CONCRETE BONDING AGENT ON ALL CONCRETE FACES, BOTH INTERIOR AND EXTERIOR, TO BE GROUTED OR WHERE NEW CONCRETE WILL BE PLACED AGAINST EXISTING CONCRETE SURFACES.
- ALL MANHOLES SHALL BE 48" DIAMETER WITH CONCENTRIC OR ECCENTRIC CONES.
- CONTRACTOR SHALL REPLACE ANY AND ALL SURVEY MONUMENTS WHICH ARE AFFECTED BY THE CONSTRUCTION. ALL MONUMENTS WILL BE RESET BY A LICENSED LAND SURVEYOR. ++WHEN GREEN SANITARY DISTRICT FURNISHES THE LICENSED SURVEYOR, CONTRACTOR WILL BE BILLED FOR THE ACTUAL COST OF RESETTING THE MONUMENT OR MONUMENTS.
- CONTRACTOR SHALL PROVIDE GREEN SANITARY DISTRICT WITH A BOND FOR ONE YEAR EQUIVALENT TO THE COST OF THE SEWER PORTION OF THE CONSTRUCTION BID. ++GREEN SANITARY DISTRICT IS TO BE LISTED AS CO-INSURED ON CONTRACTOR'S INSURANCE POLICY.
- ALL TONING WIRE SHALL BE TESTED FOR CONTINUITY BEFORE FINAL SURFACING.
- CONTRACTOR SHALL CONTACT ONE-CALL AT 673-6676 AT LEAST 48 HOURS PRIOR TO COMMENCING ANY EXCAVATION.

NOTE: ++ THESE ONLY APPLY WHEN CONTRACTOR IS WORKING DIRECTLY FOR GREEN SANITARY DISTRICT.

NOTE: INSPECTION OF THE SANITARY SEWER CONSTRUCTION, PREPARATION OF REPORTS AND TESTING RESULTS WILL BE PERFORMED BY MAURICE E FARR, PE.

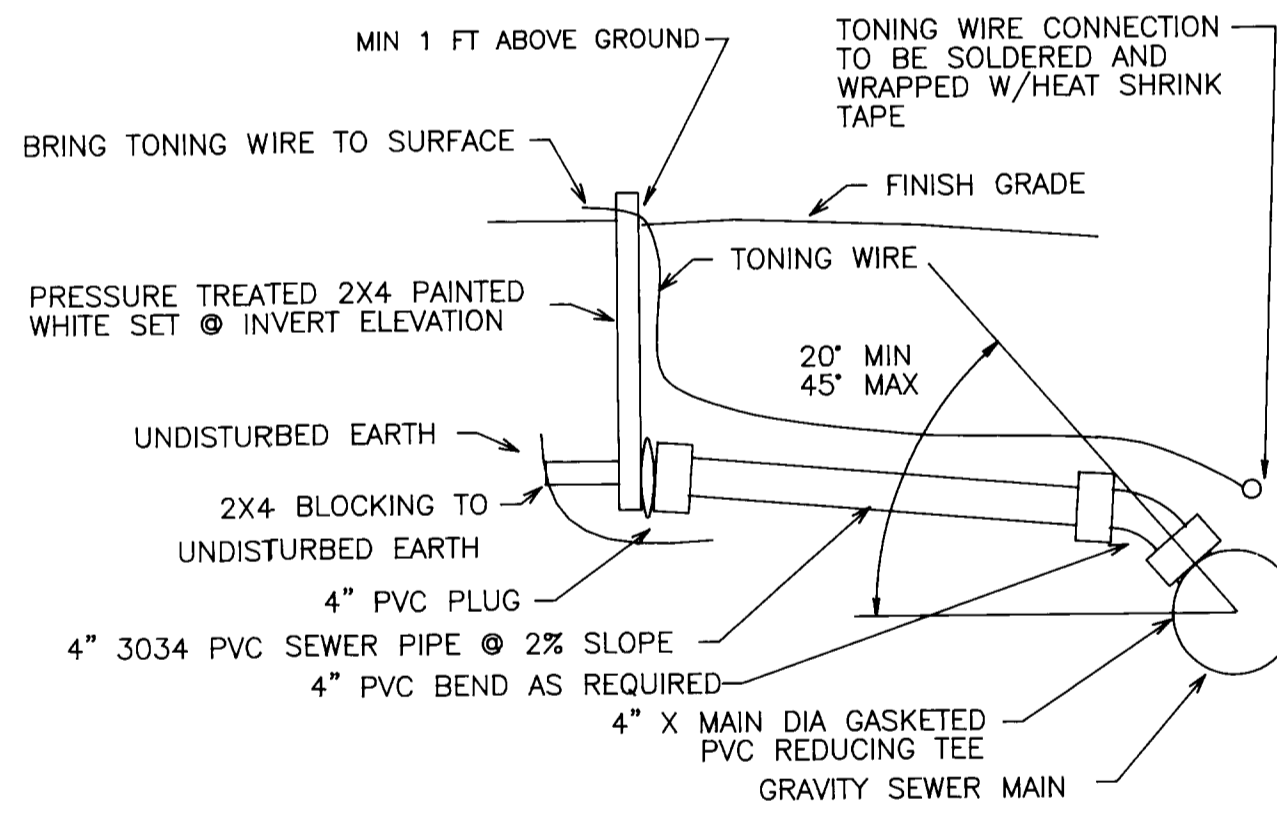
## MODIFICATION OF EXISTING 48"Ø SANITARY SEWER MANHOLE E-1 TO PROVIDE A DROP INLET FOR NEW 8"Ø SANITARY SEWER LINE



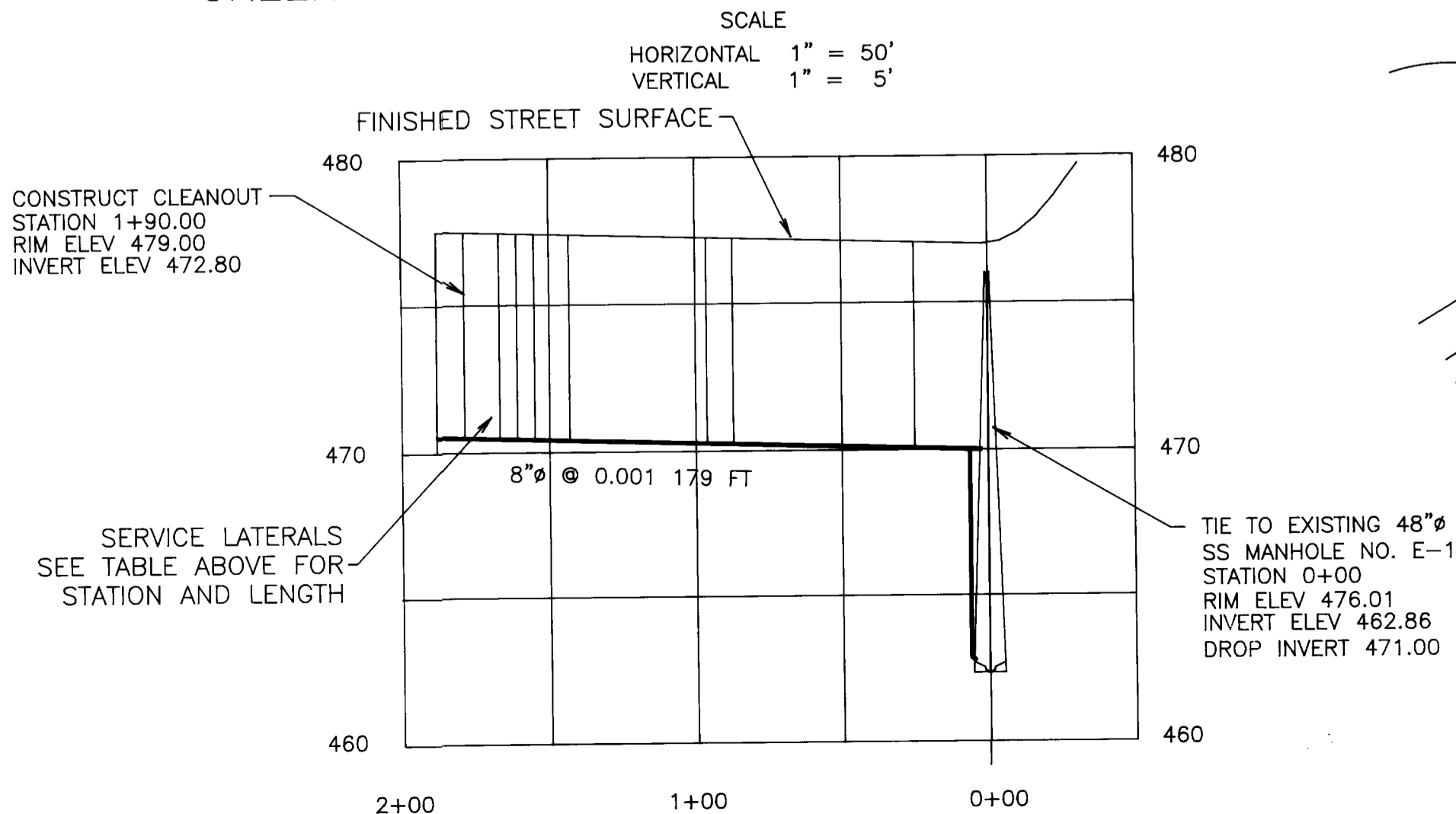
NOTE: ELECTRIC OR PNEUMATIC CHIPPERS CAN DAMAGE MANHOLE AND SHALL NOT BE USED. USE CONCRETE OR GROUT TO REFORM MANHOLE CHANNEL TO CLEANSE AND DRAIN.

- NOTES:
- CONCRETE SHALL BE CLASS 3000.
  - CHANNELS SHALL BE CONSTRUCTED TO PROVIDE SMOOTH SLOPES AND RADII TO OUTLET PIPE.
  - BASES MAY BE PRECAST OR Poured IN PLACE.
  - THIS MANHOLE BASE SECTION SHALL BE USED FOR PIPE SIZES UP TO 24".

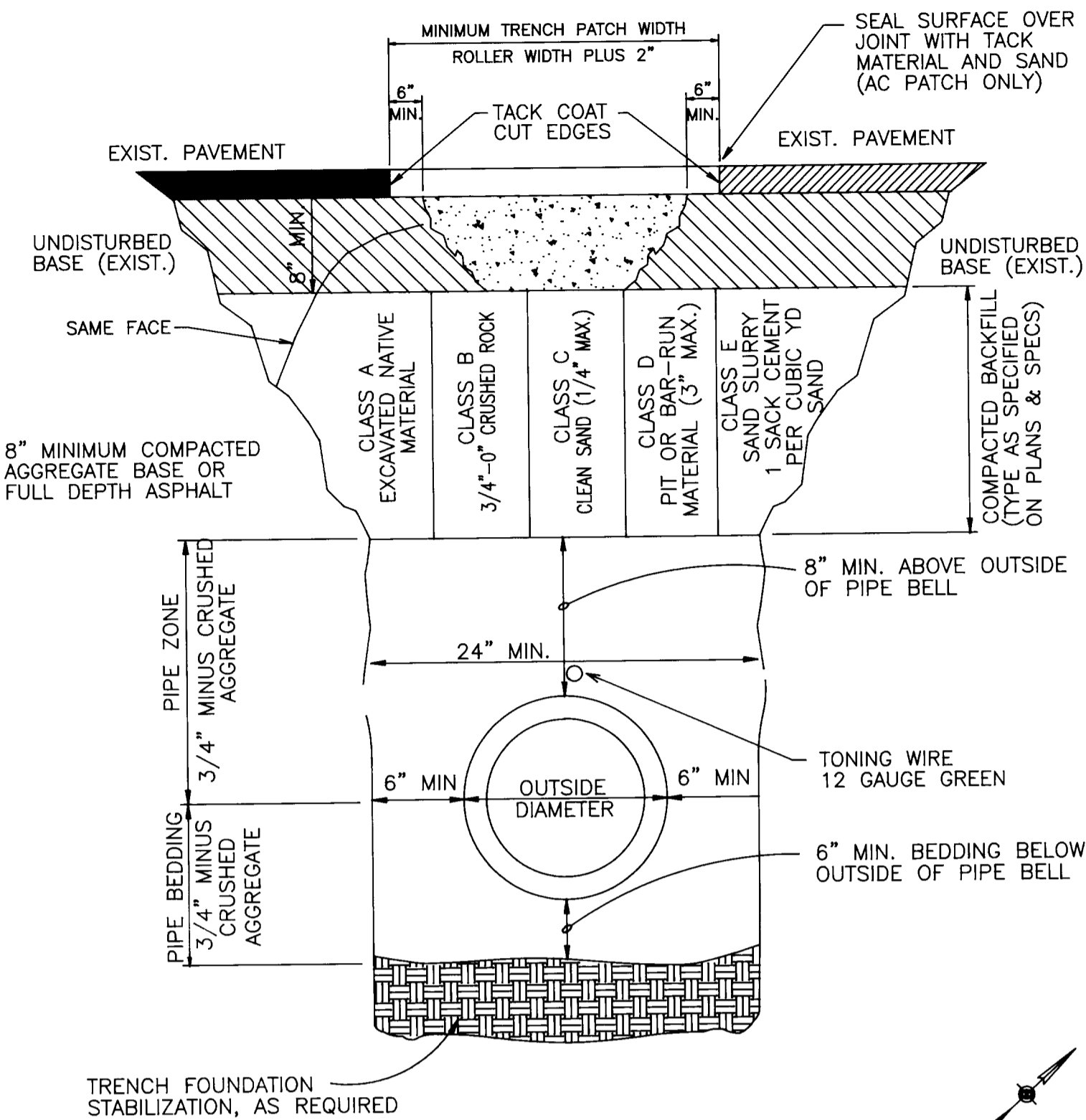
## TYPICAL 4" SEWER SERVICE CONNECTION DETAIL



## CREEK SIDE COURT SANITARY SEWER LINE PROFILE



## TYPICAL TRENCH BACKFILL ZONES



# AS-BUILT PLANS

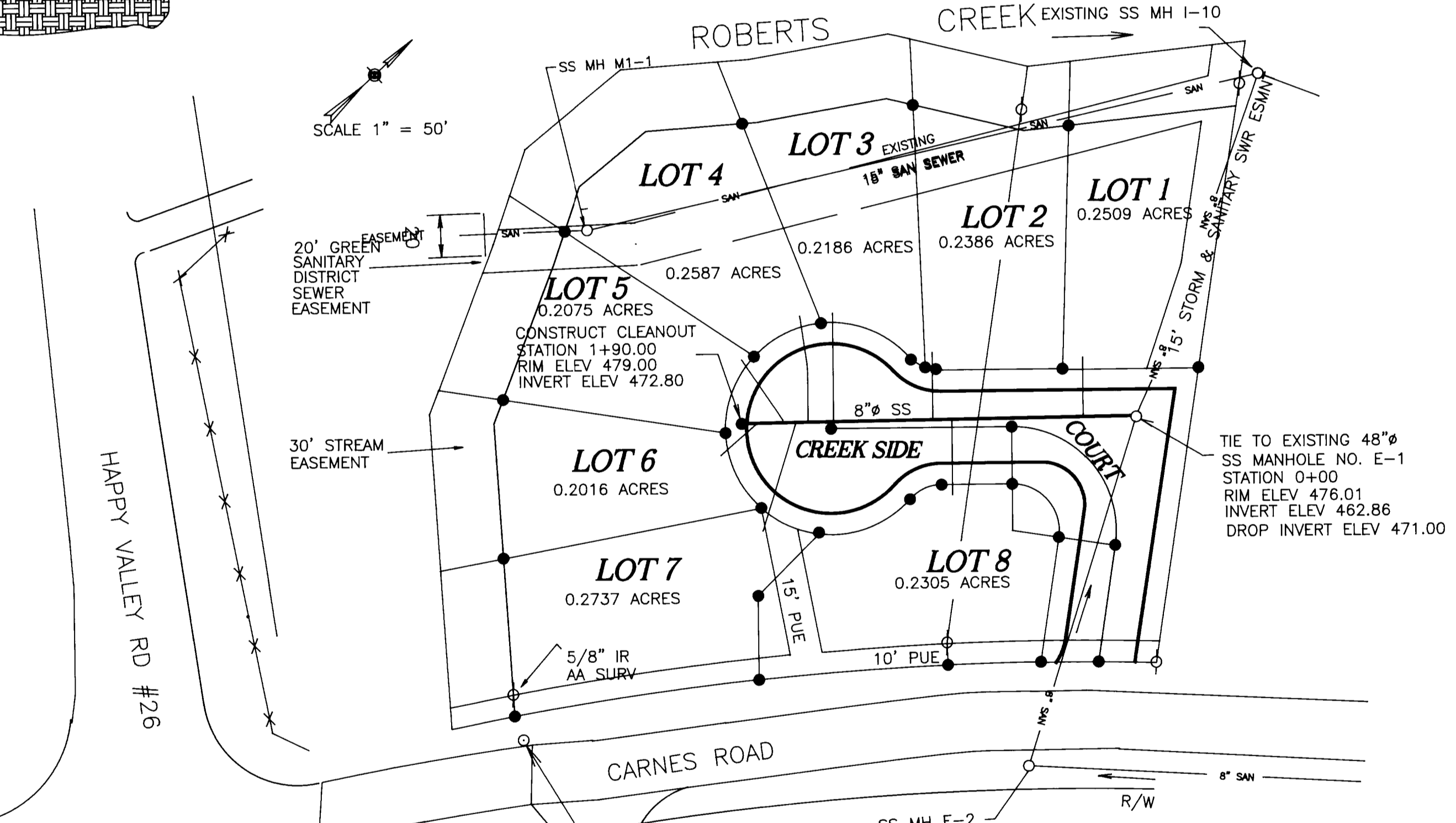
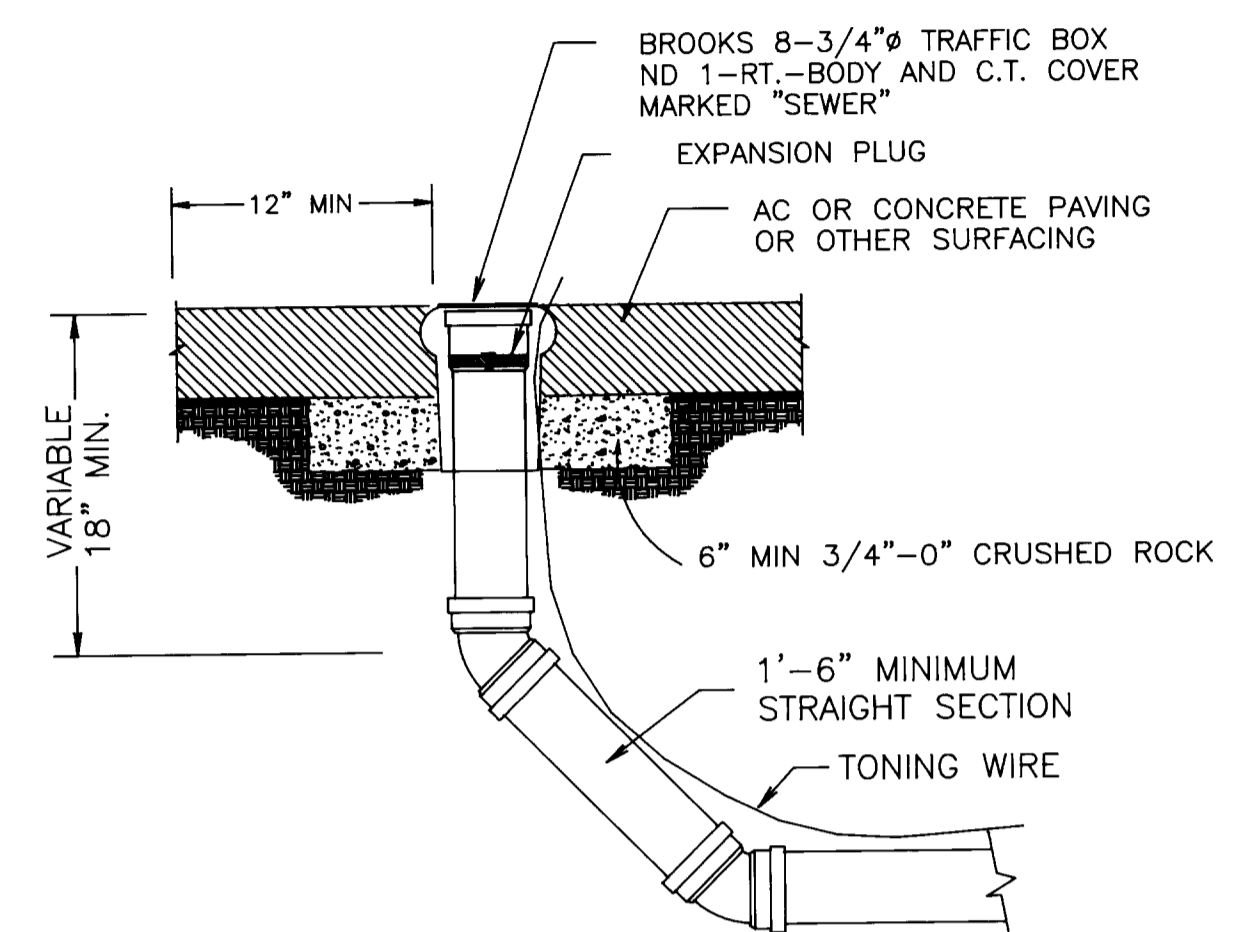
PLACE "C" MIX AC MINIMUM THICKNESS OF 4" OR THE THICKNESS OF THE REMOVED PAVEMENT, WHICHEVER IS GREATER. COMPACT AS SPECIFIED

- NOTES:
- ALL EXISTING AC OR PCC PAVEMENT SHALL BE SAWCUT PRIOR TO REPAVING.
  - CONCRETE PAVEMENT SHALL BE REPLACED WITH CONCRETE TO A MINIMUM THICKNESS OF 6" OR TO THE THICKNESS OF REMOVED PAVEMENT, WHICHEVER IS GREATER.

## SANITARY BUILDING SEWER

STATION	SERVICE	LENGTH
0+00	MANHOLE E-1	
0+25	LOT 1	29
0+87	LOT 8	35
0+96	LOT 2	29
1+43	LOT 3	52
1+55	LOT 4	51
1+61	LOT 7	48
1+67	LOT 5	40
1+79	LOT 6	34
1+90	CLEANOUT	

## CLEAN-OUT DETAIL



## CREEK SIDE ESTATES

R H CLEVELAND  
1449 NW MULHOLLAND  
ROSEBURG, OR 97470  
PH (541) 440-3046

## SANITARY SEWER PLAN

NOVEMBER 1997

SHEET  
4 OF 4

FILED  
Date: 2-11-1998 by: JJP  
This survey consists of:  
Map:  
Narrative:  
Corner Rpt:  
DOUGLAS COUNTY  
SURVEYOR

PLANS PREPARED BY  
MAURICE E FARR  
PROFESSIONAL ENGINEER  
1960 SW BURDETTE DRIVE  
ROSEBURG, OR 97470  
PH (541) 679-6596

