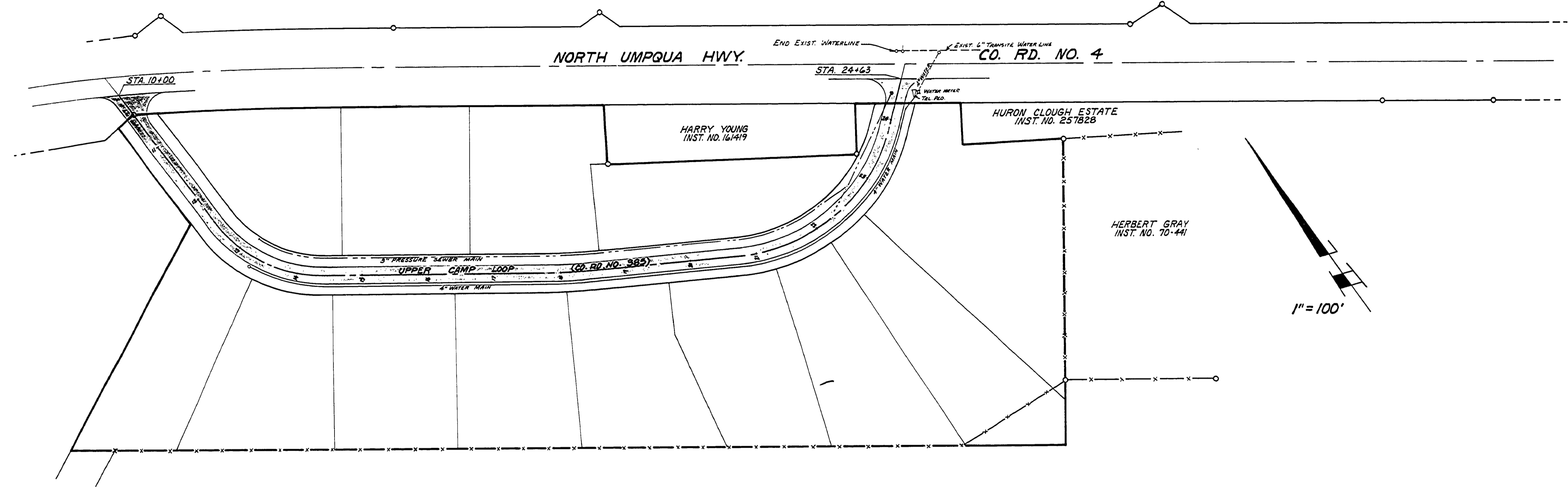
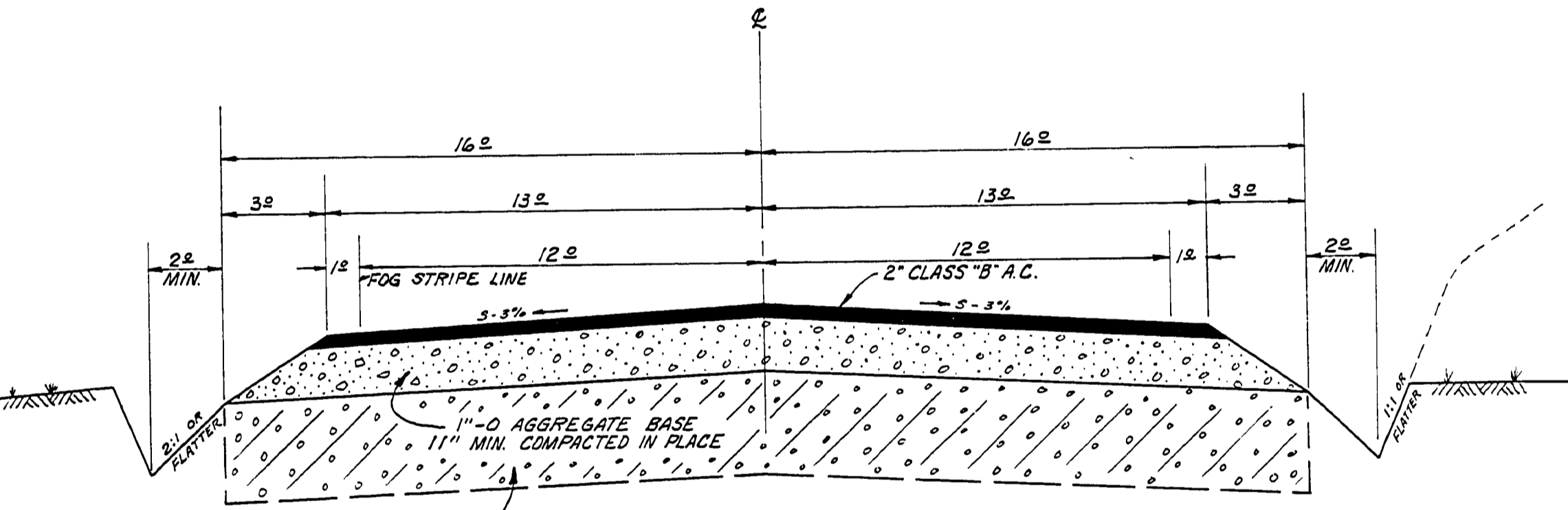


VICINITY MAP

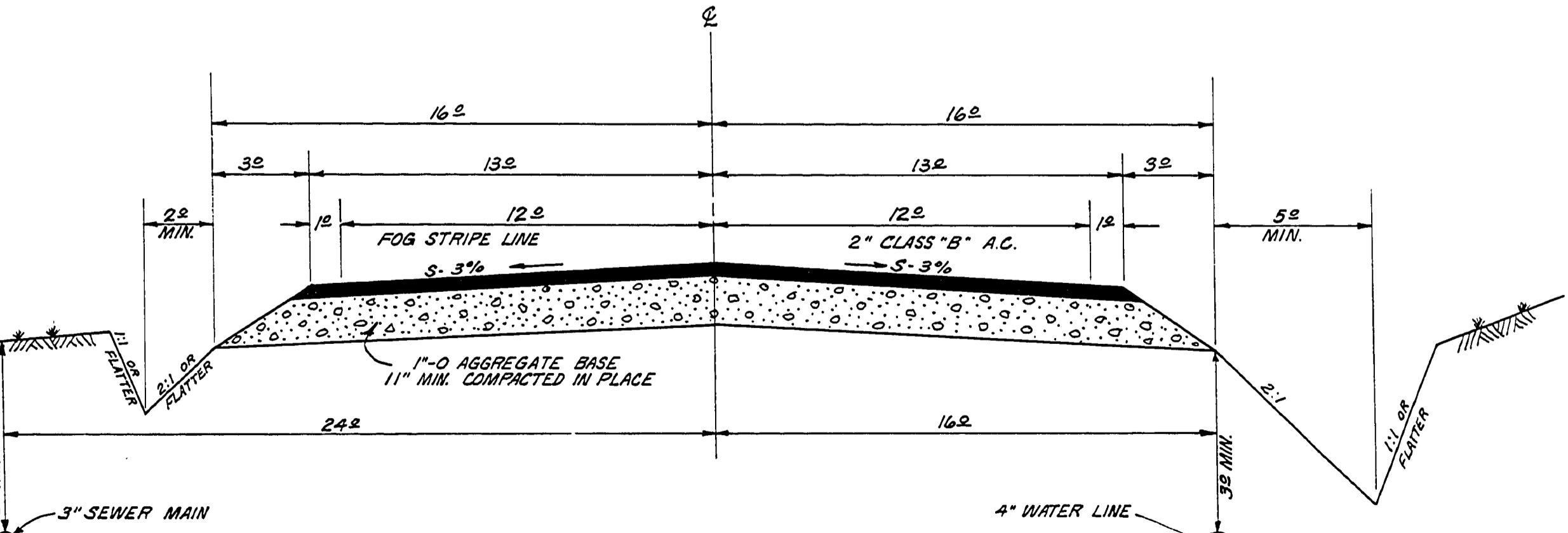


1" = 100'

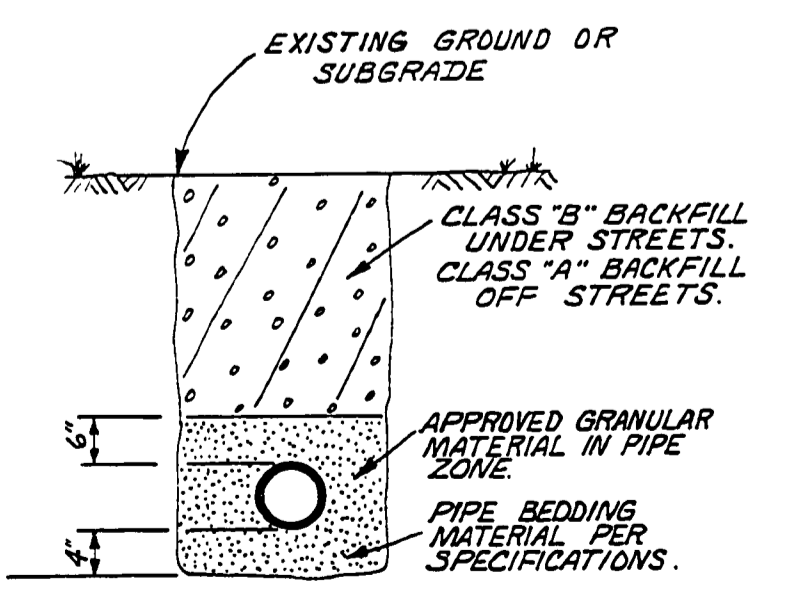


TYPICAL SECTION
 STA. 10+00 to STA. 22+40

NOTE: IN AREAS WHERE EXPANSIVE CLAY SUBGRADE IS ENCOUNTERED AS IN THE TEST HOLE AT STA. 13+75±, EXCAVATE CLAY TO 18" MIN. BELOW SUBGRADE AND REPLACE WITH COMPACTED PIT-RUN "SHALE" OR OTHER SUITABLE MATERIAL AS DIRECTED BY THE ENGINEER. LIMITS OF THIS WORK TO BE DETERMINED IN THE FIELD DURING EXCAVATION. WHERE EXPANSIVE CLAY MATERIAL CAN NOT BE REMOVED BY BACKHOE OR OTHER EXCAVATION METHOD TO AVOID REMOLDING CLAY, OTHER STABILIZING TECHNIQUES MAY BE REQUIRED INCLUDING, BUT NOT LIMITED TO, LIME OR CEMENT STABILIZATION.



TYPICAL SECTION
 STA. 22+40 to STA. 24+10



TYPICAL PIPE TRENCH
 CLASS "B" - IMPORTED GRANULAR MATERIAL, EITHER 3"-0" BAR RUN OR REJECT SAND.
 CLASS "A" - SUITABLE NATIVE MATERIAL.

NOTES:
GENERAL:

1. THE CONTRACTOR SHALL LOCATE AND PROTECT ALL EXISTING UNDERGROUND UTILITIES.
2. THE CONTRACTOR SHALL CONTACT AND COORDINATE WITH PACIFIC POWER & LIGHT AND PACIFIC NORTHWEST BELL TELEPHONE COMPANIES TO PROVIDE SERVICE TO THE SUBDIVISION.
3. WATER AND SEWER PIPE SHALL BE INSTALLED IN ACCORDANCE WITH REGULATIONS AND SPECIFICATIONS OF THE AGENCY GOVERNING THE INSTALLATION.

STREETS:

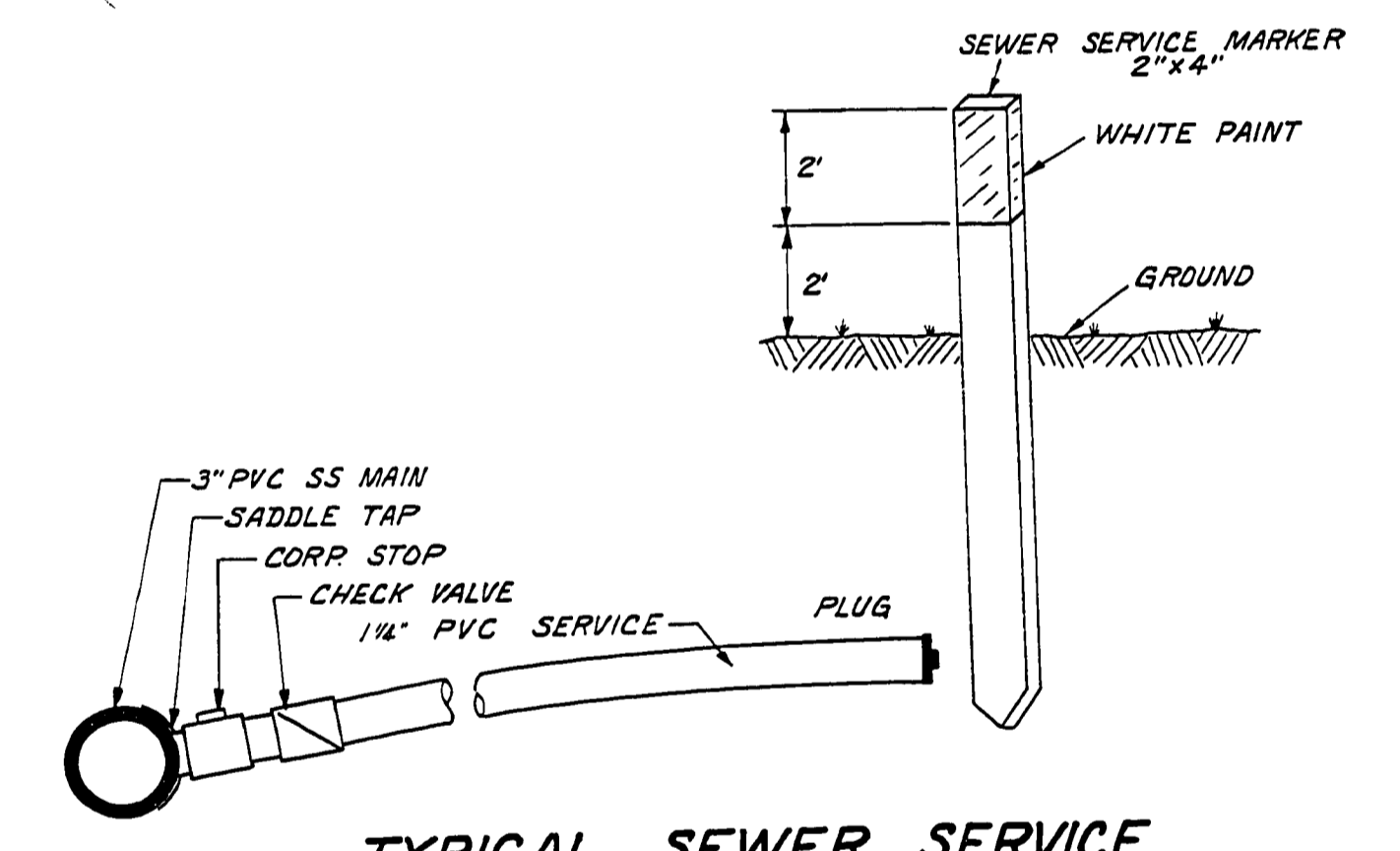
1. ALL WORK SHALL BE IN CONFORMANCE WITH DOUGLAS COUNTY PUBLIC WORKS DEPT. STANDARD SPECIFICATIONS UNLESS OTHERWISE NOTED.
2. STREET SUBGRADE AND BASE SHALL BE COMPACTED TO 95% RELATIVE COMPACTION. UNSTABLE OR UNSUITABLE MATERIAL SHALL BE REMOVED AND REPLACED WITH SUITABLE SELECTED MATERIAL.

SANITARY SEWERS:

1. ALL WORK SHALL BE IN CONFORMANCE WITH GLIDE SANITARY DISTRICT STANDARD SPECIFICATIONS, DETAILS AND ORDINANCES.
2. SANITARY SEWER MAIN SHALL BE 3" IPS. PVC 1120 RUBBER RING JOINT COMPLYING WITH ASTM D-1784 AND D2241, SDR 26, 160 PSI WORKING PRESSURE RATED.
3. SANITARY SEWERS SHALL BE WATER TESTED IN ACCORDANCE WITH STANDARD SPECIFICATIONS AFTER COMPACTION OF BACKFILL.
4. TRENCH BACKFILL SHALL BE CLASS "B" (BANK RUN GRAVEL PASSING 3" SCREEN) UNDER STREETS AND CLASS "A" (SUITABLE NATIVE MATERIAL) ELSEWHERE.
5. A 14 GAGE COATED COPPER TONING WIRE SHALL BE BURIED WITH ALL PIPE LINES AND BROUGHT TO THE SURFACE AT VALVES ETC. TO PERMIT CONNECTION OF TONING DEVICES.
6. WHENEVER A CROSSING SEWER LINE IS LESS THAN 18" LOWER THAN A WATER LINE, THE SEWER LINE SHALL BE DUCTILE IRON PIPE FOR 9 FEET ON EACH SIDE OF THE WATER LINE.

WATER SYSTEM

1. WATER SYSTEM SHALL BE CONSTRUCTED IN ACCORDANCE WITH STANDARDS, SPECIFICATIONS AND DETAILS OF THE GLIDE WATER ASSOCIATION.
2. WATER LINES SHALL BE 4" IPS. CLASS 200 PVC.



TYPICAL SEWER SERVICE

| | | |
|---------------|---|------------------|
| INDEX: | TITLE | SHEET NO. |
| | INDEX LOCATION & GENERAL STREET, WATER AND SEWER PLAN | 1 2 |

| | | |
|---|--|--|
| INDEX LOCATION AND GENERAL | | DATE: 11/80 |
| PINE VIEW ESTATES SUBDIVISION IMPROVEMENT PLANS | | DRAWN BY: MLR |
| | | CHECKED BY: D.S. |
| | | JOB NO.: |
| | | SHEET NO. 1 OF 2 SHEETS |
| DOUGLAS COUNTY PUBLIC WORKS DEPT. APPROVED By: [Signature] Date: 2-24-81 | | ENGINEER'S STAMP: [Stamp] BHW ENGINEERING & SURVEYING 1205 S.E. COURT ROSEBURG, OR. 97470 |

RD385001