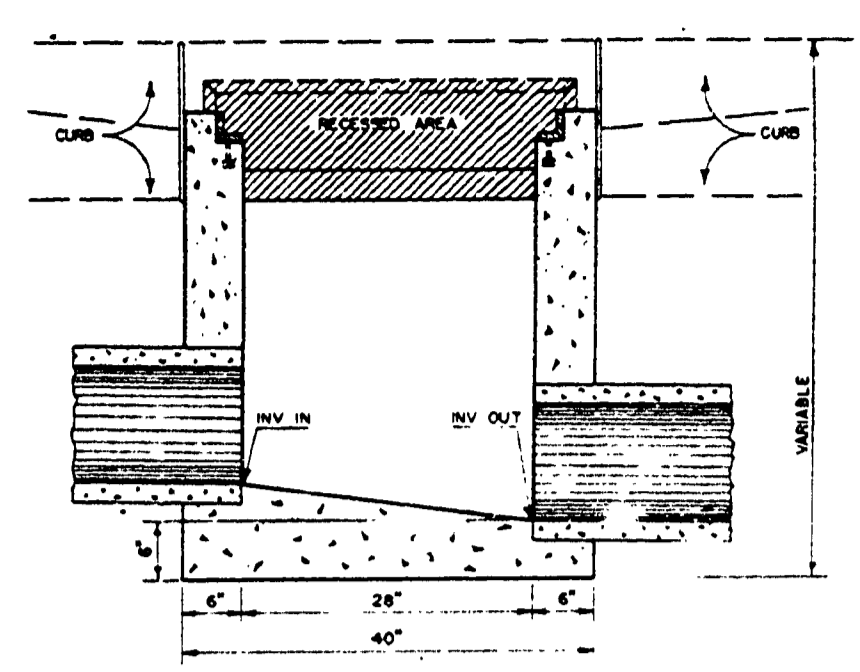
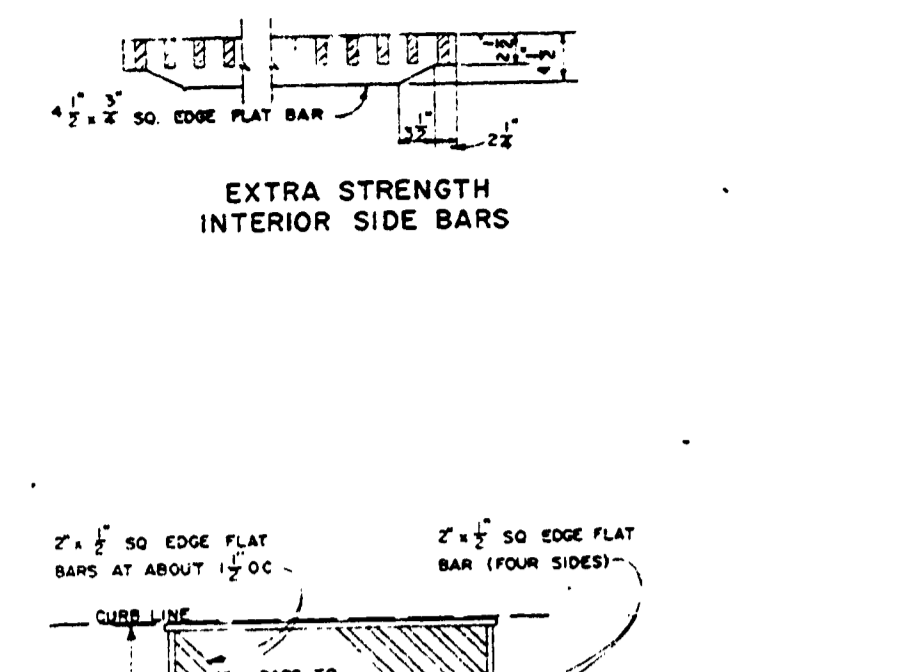


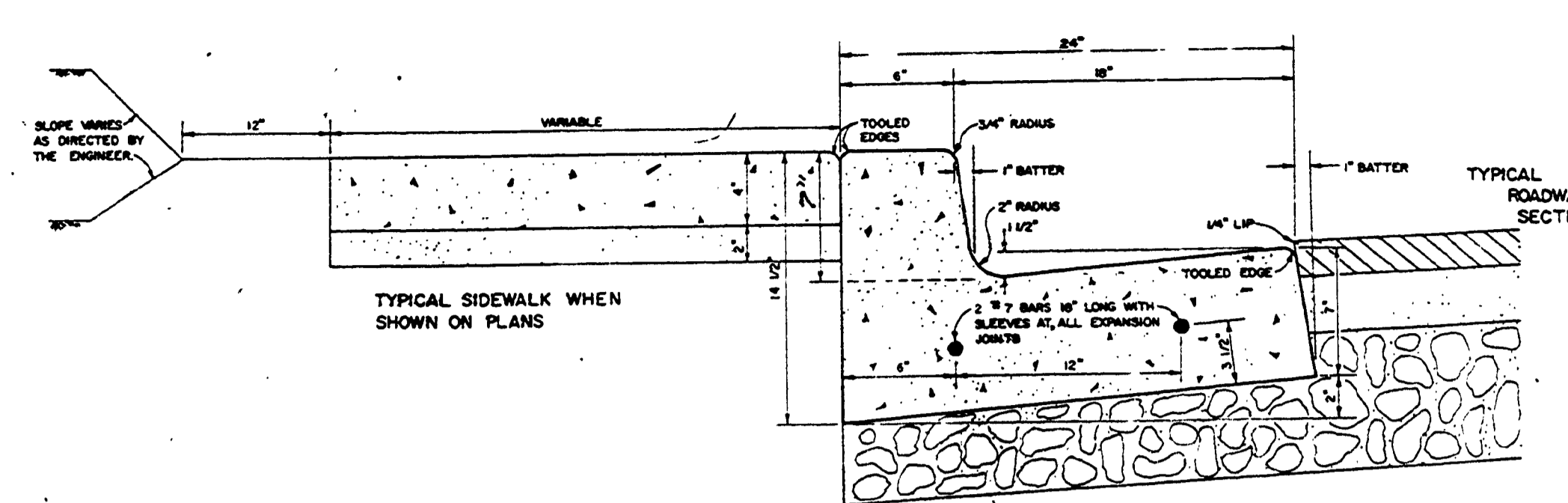
FILED
AUG 10 1987



SECTION B-B

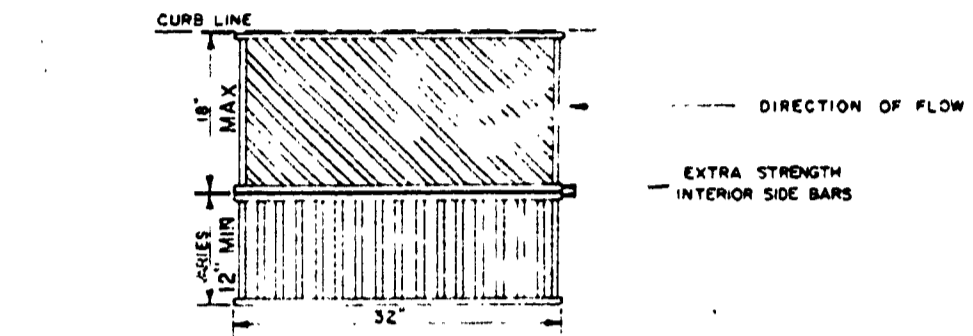


EXTRA STRENGTH INTERIOR SIDE BARS

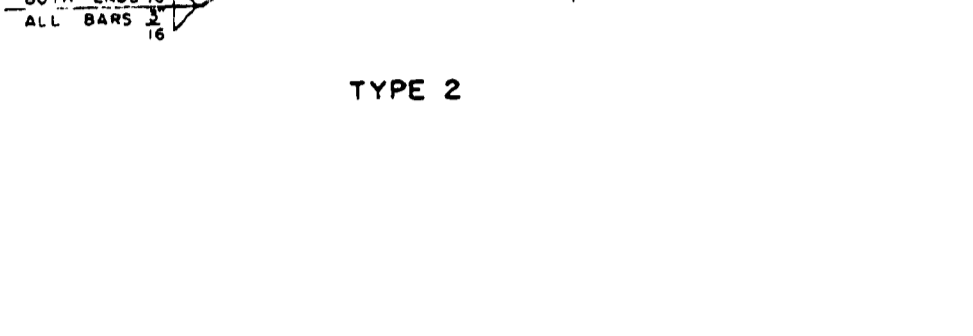


TYPICAL CURB, GUTTER, & SIDEWALK NTS

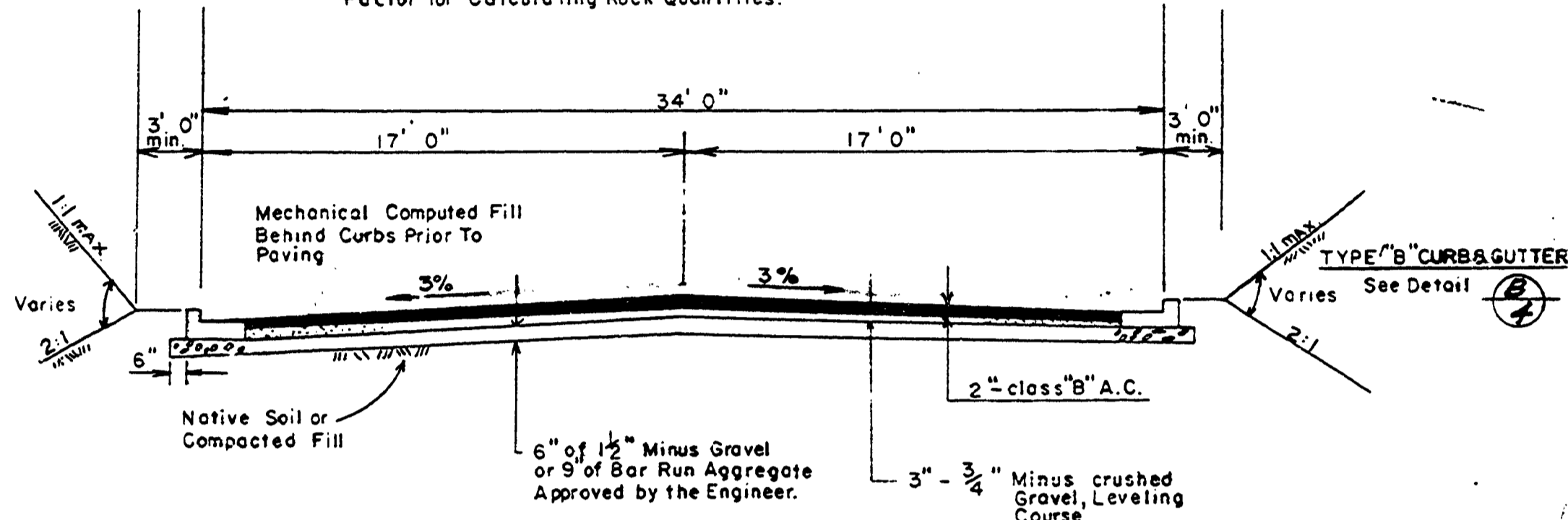
NOTE:
1. All Dimensions Shown are Nominal Computed Thicknesses
2. Recommend using 30% Shrinkage Factor for Calculating Rock Quantities.



TYPICAL TWO GRATE INSTALLATION

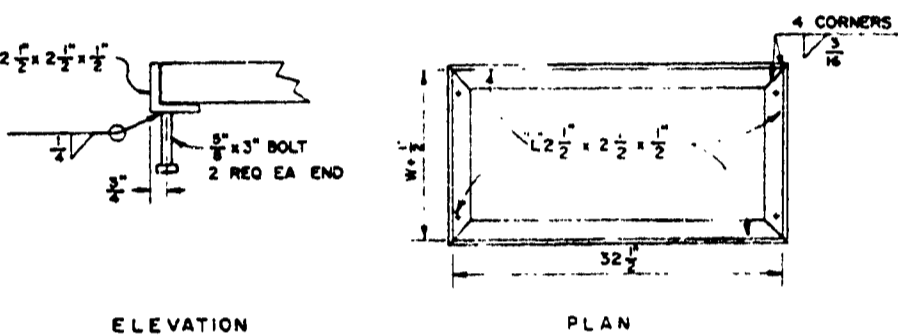


TYPE 2

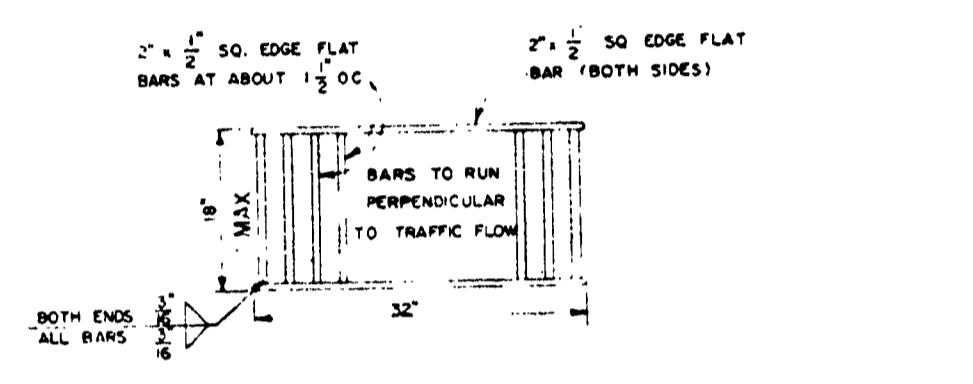


MERCY HILLS DRIVE TYPICAL STREET SECTION

NTS



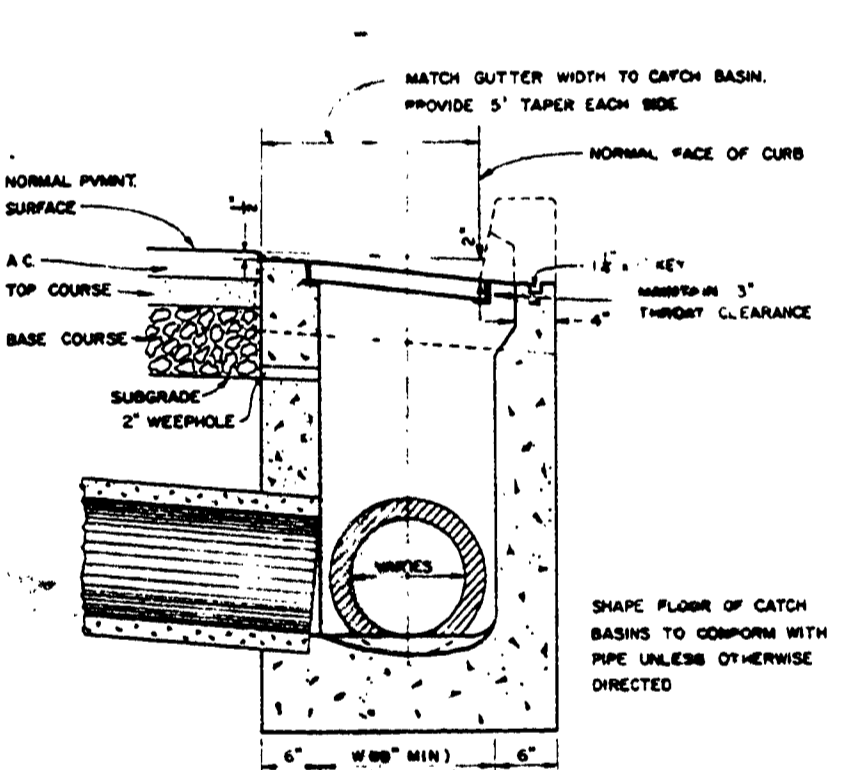
CATCH BASIN FRAME



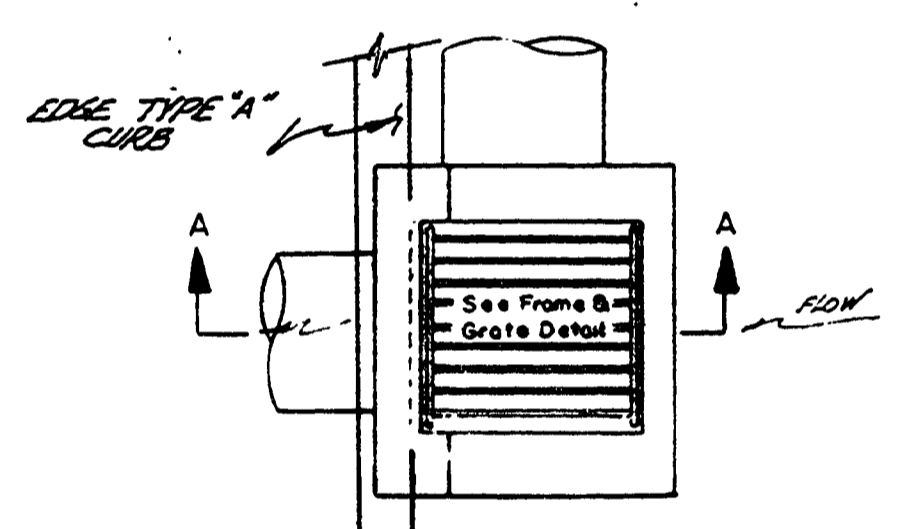
TYPE 1

CATCH BASIN GRATES

EXAMPLE CONSTRUCTION NOTE FORMAT:
CBA-11
(CBA) indicates Type "A" Catch Basin
(11) indicates Type of Grate



SECTION A-A

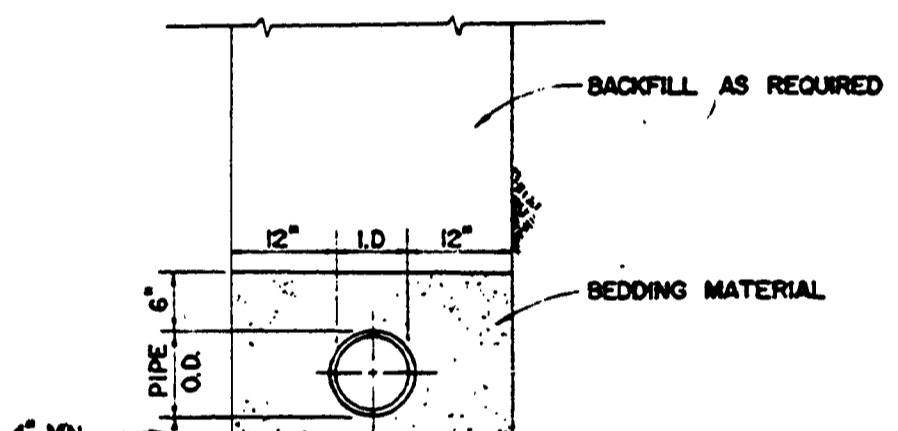


PLAN

NTS

ELEVATION

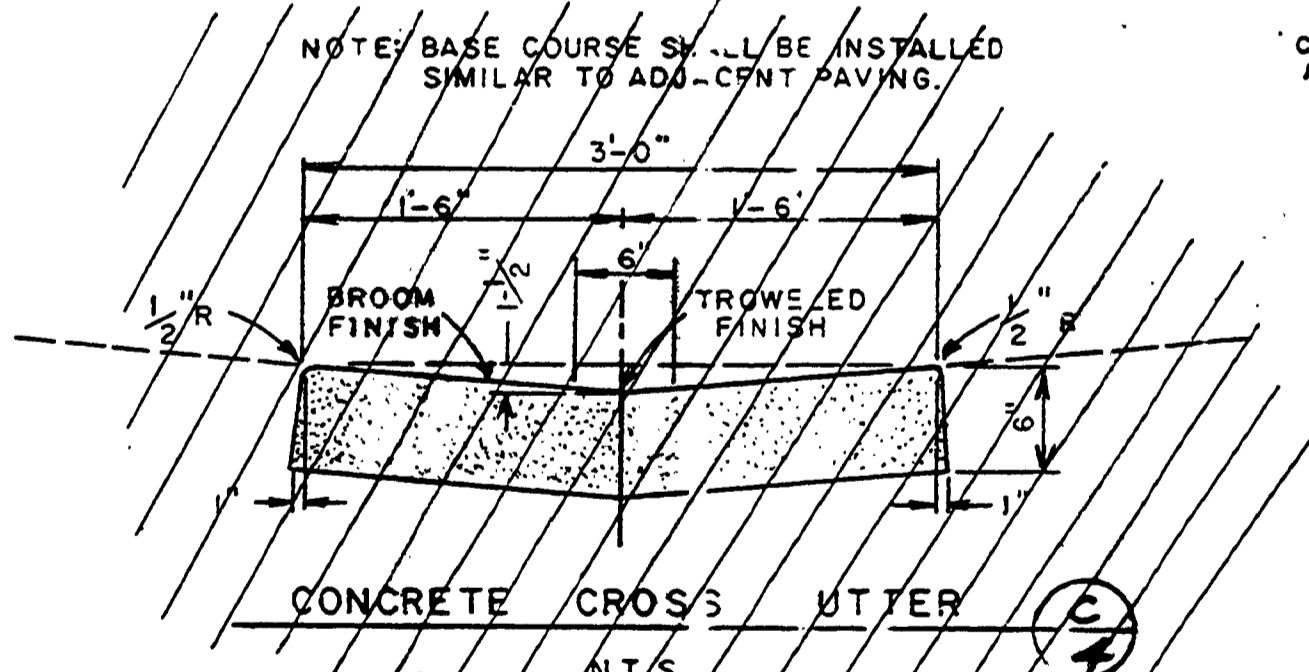
NTS



TYPICAL WEEPHOLE INSTALLATION

NOTE:
1. INSTALLED IN THE CURB 5 FEET EACH SIDE OF EACH LOT LINE.

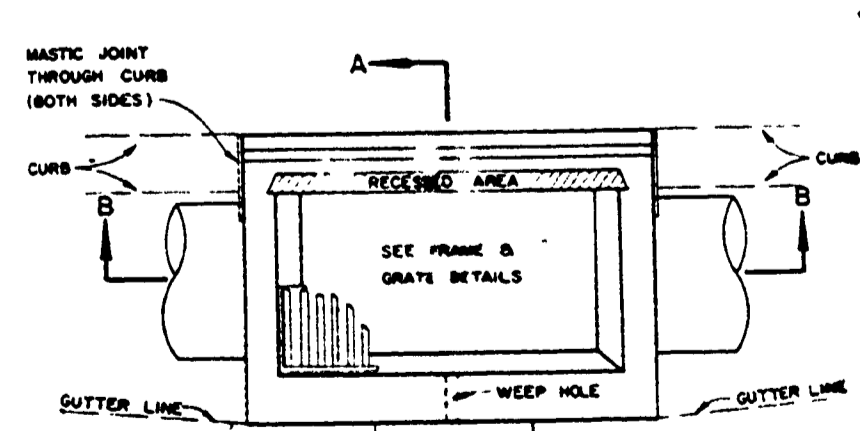
PIPE ZONE BACKFILL



CONCRETE CROSS UTTER

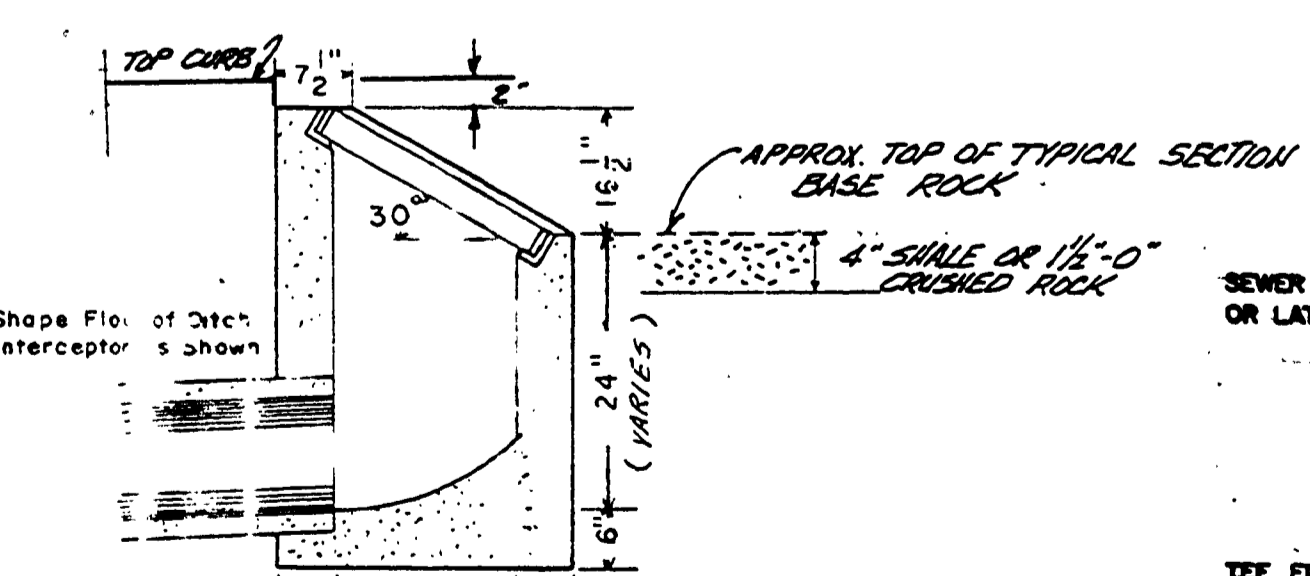
NTS

NOTE: CONSTRUCT DITCH BASIN PER DETAILS BUT WITH DIMENSION (B) TO ACCOMMODATE LARGEST PIPE. DIMENSION SPECIFIED HERE IN EXCESS OF 18" PROVIDE TWO GRATES WITH 2" MINIMUM SIZE.



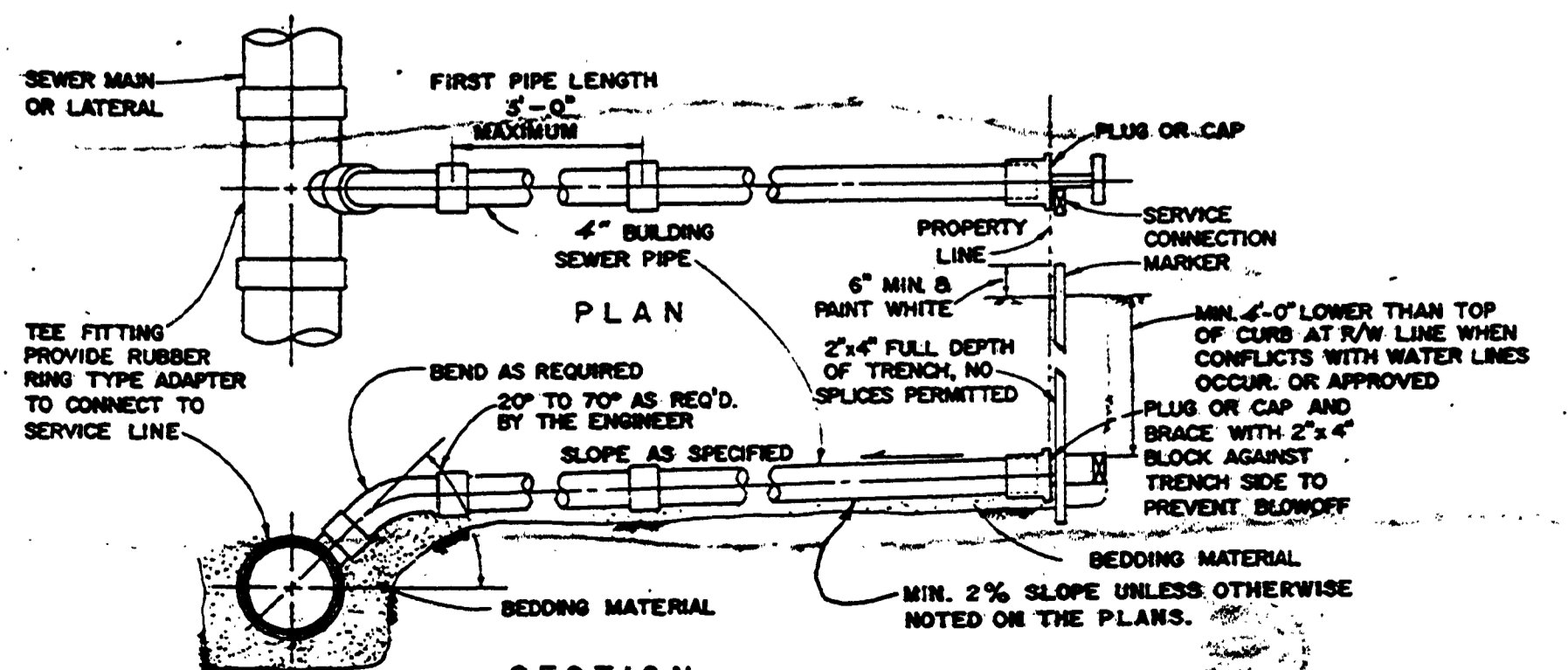
SECTION A-A

CATCH BASIN



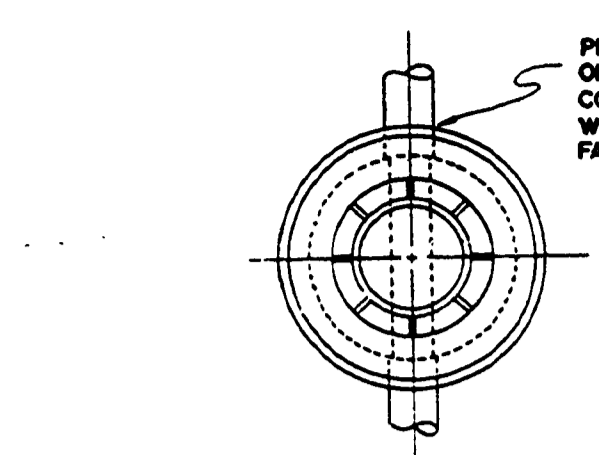
SECTION A-A DITCH INTERCEPTOR CATCH BASIN

NTS

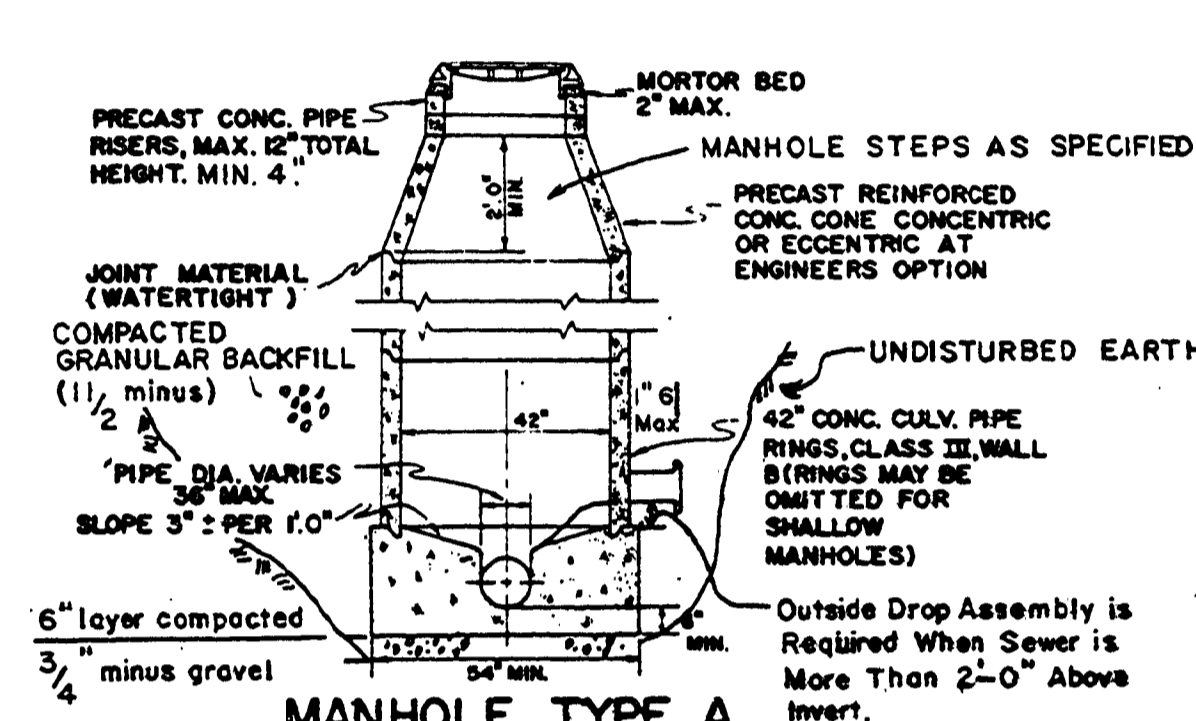


STANDARD SERVICE CONNECTION

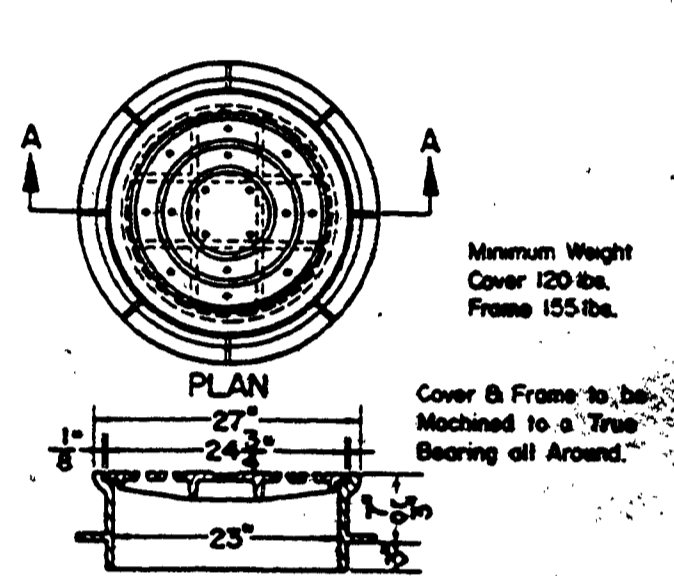
SECTION



GENERAL PLAN OF CHANNEL INTERSECTION

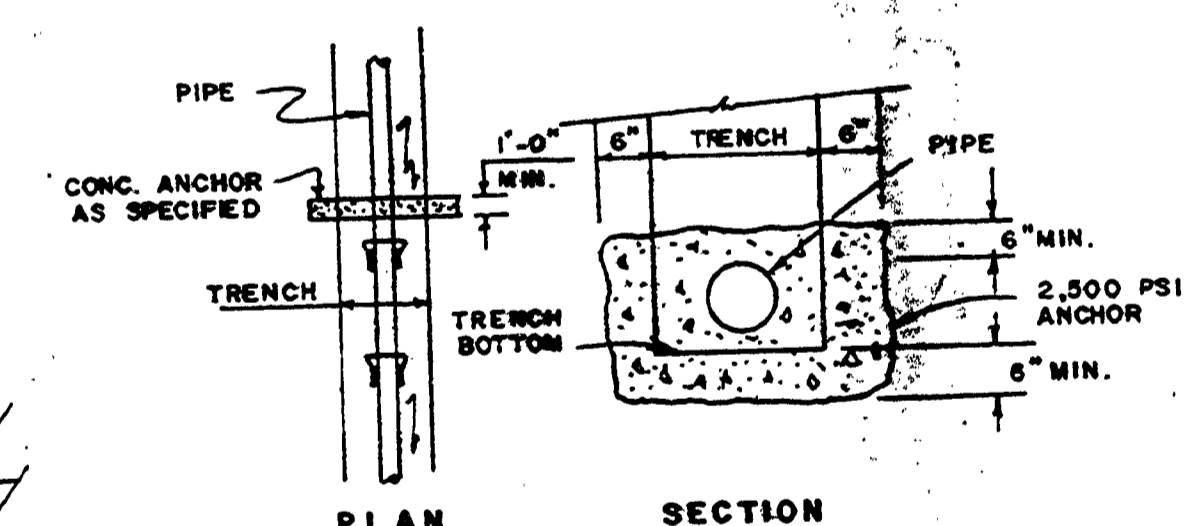


MANHOLE TYPE A



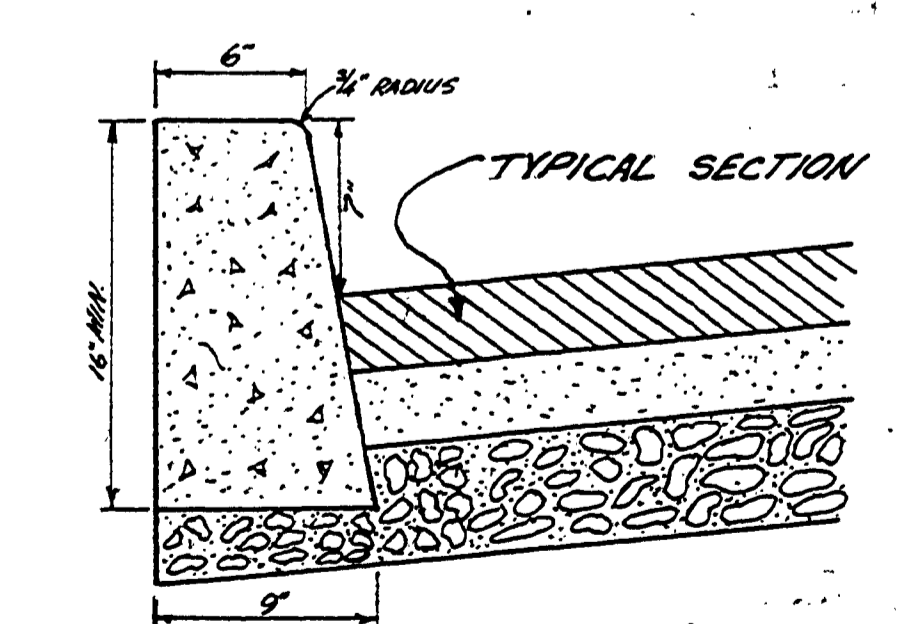
MANHOLE RING & COVER

MANHOLE TYPE A



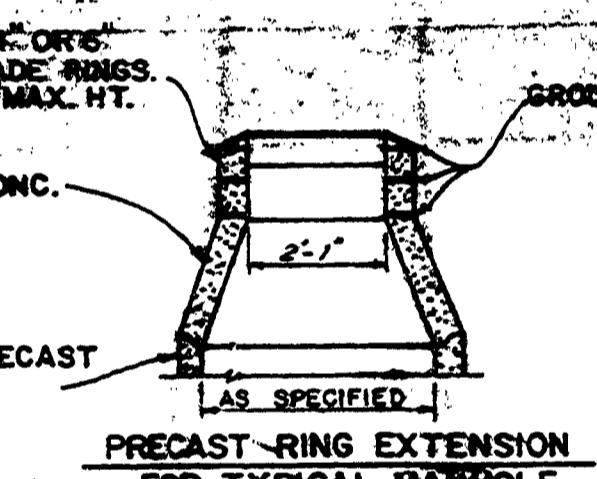
TYPICAL CONCRETE ANCHOR

N.T.S.

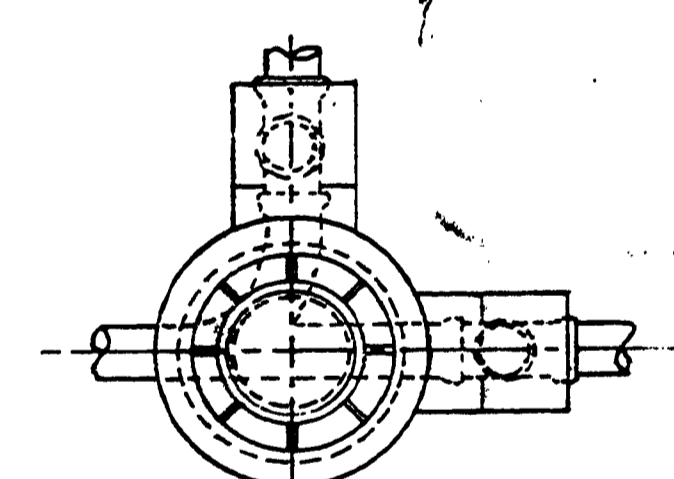


TYPICAL SECTION

(CSTA 15-78.00) TYPE 'A' CURB NTS



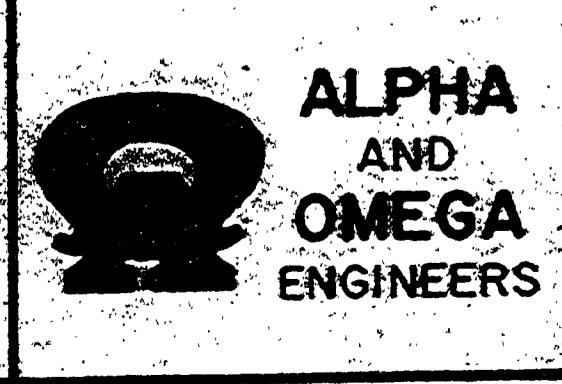
PRECAST-RING EXTENSION FOR TYPICAL MANHOLE



TYPICAL DROP MANHOLE

N.T.S.

AS-BUILT 12/20/79 M/LT



BUD GLEN - WINSTON, OREGON MERCY HILLS - SUBDIVISION PHASE I	
MISCELLANEOUS DETAILS	
2	12/20/79
1	12/20/79
NO DATE	REVISION
DESIGNER	CHECKER