

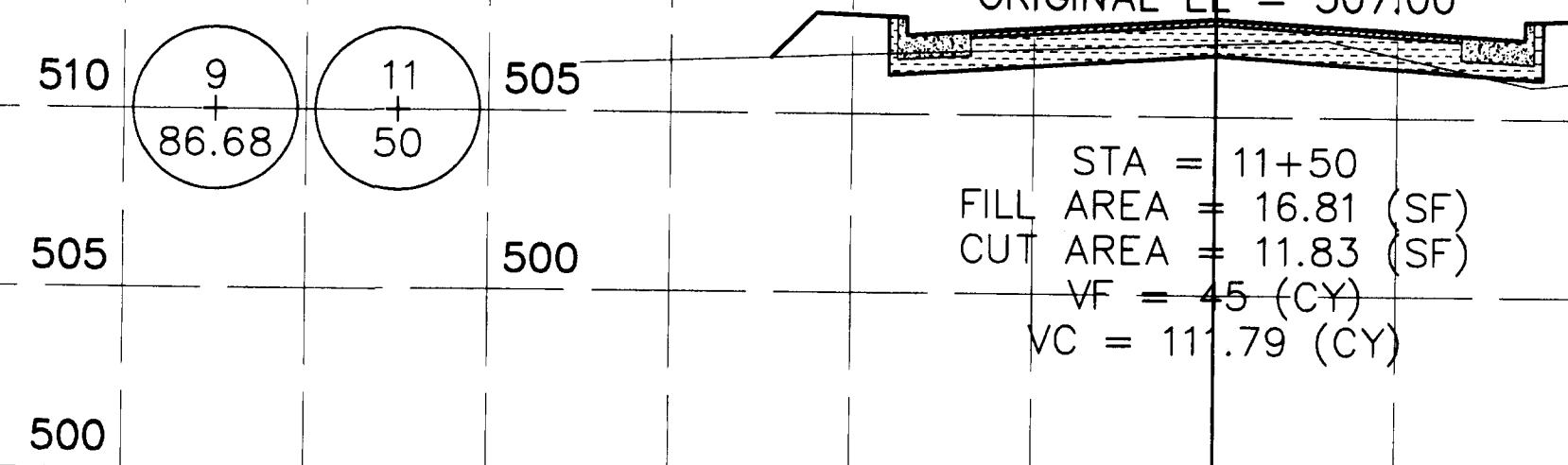
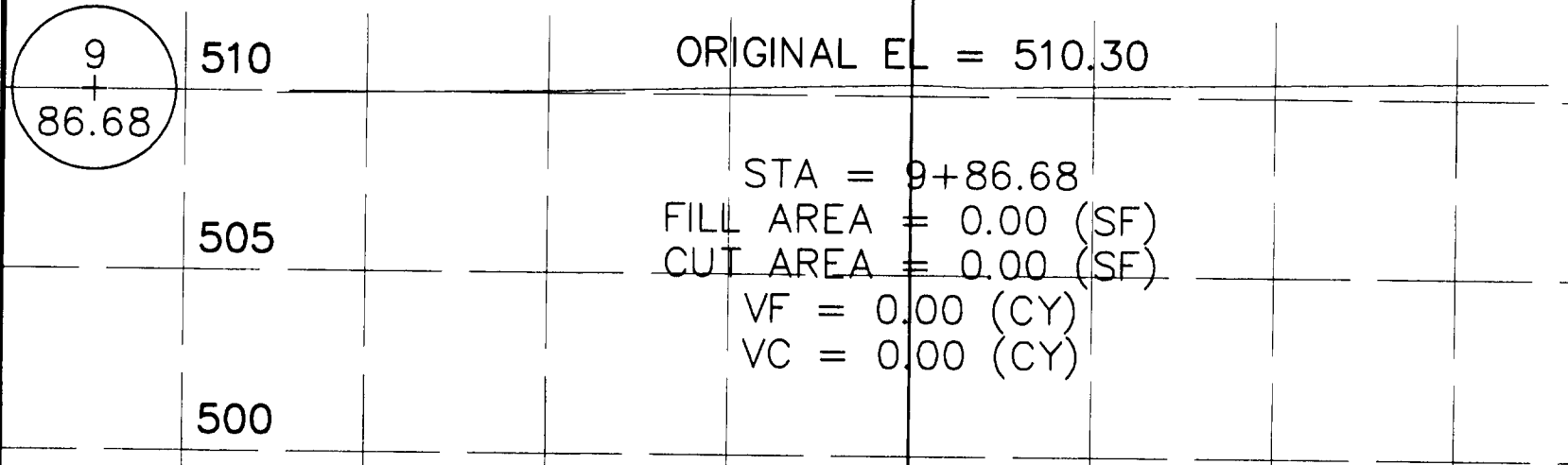
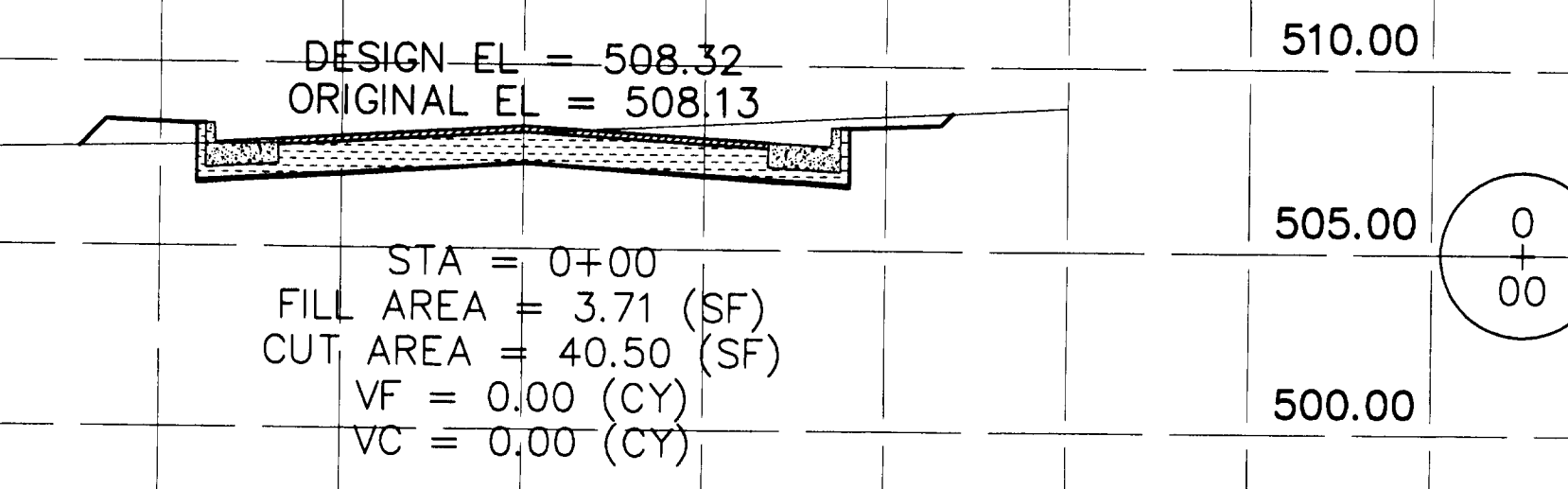
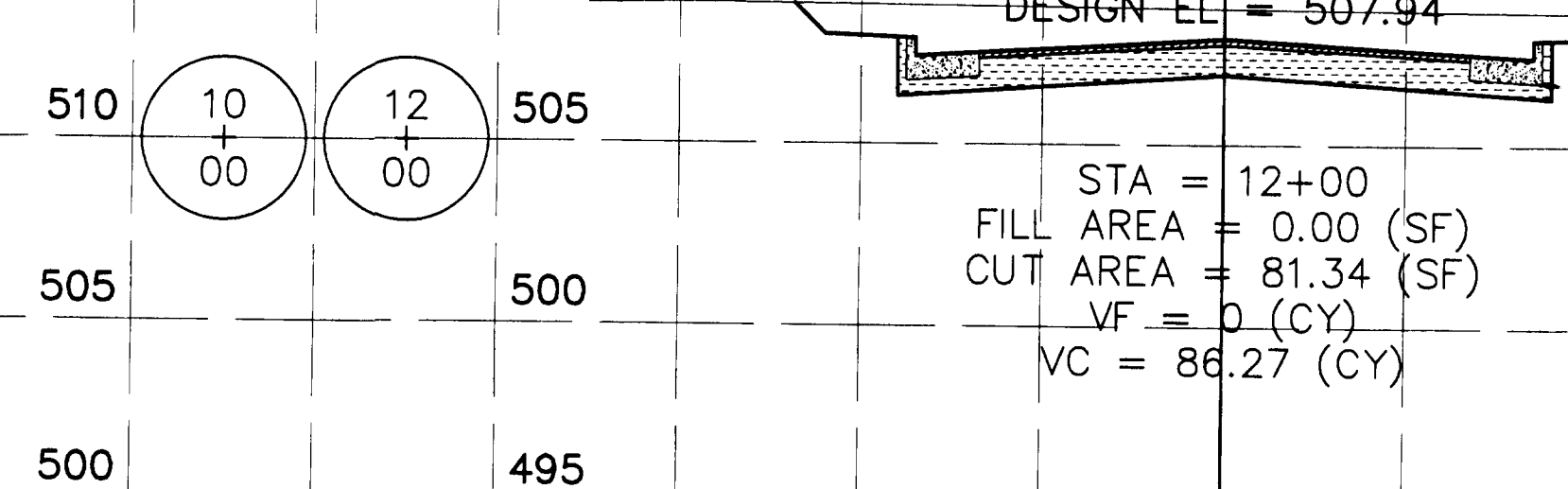
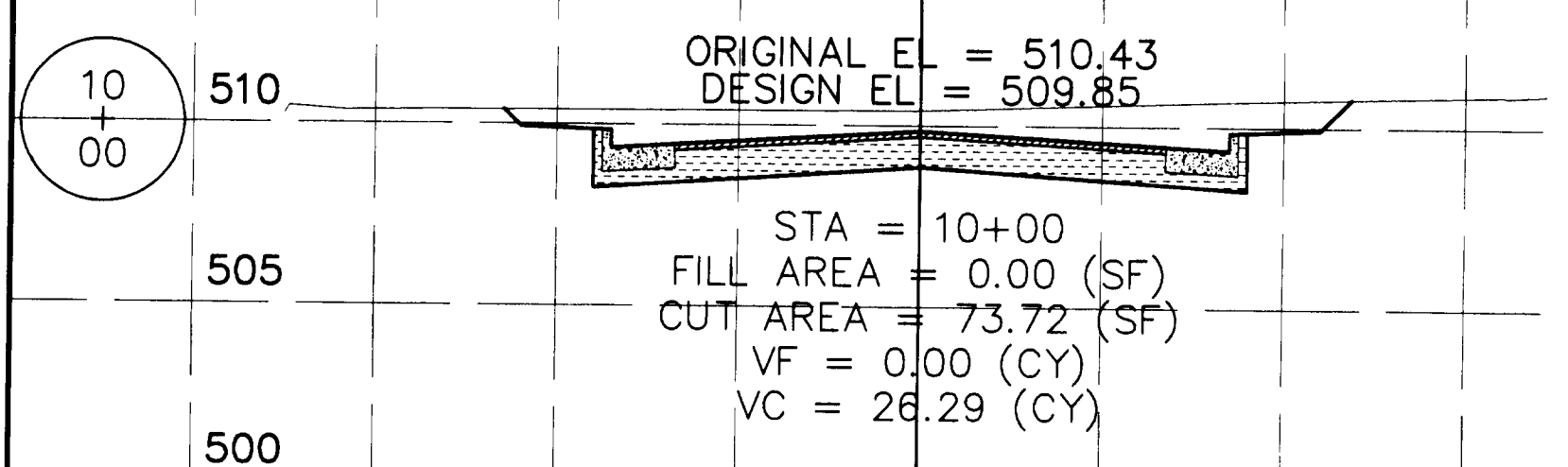
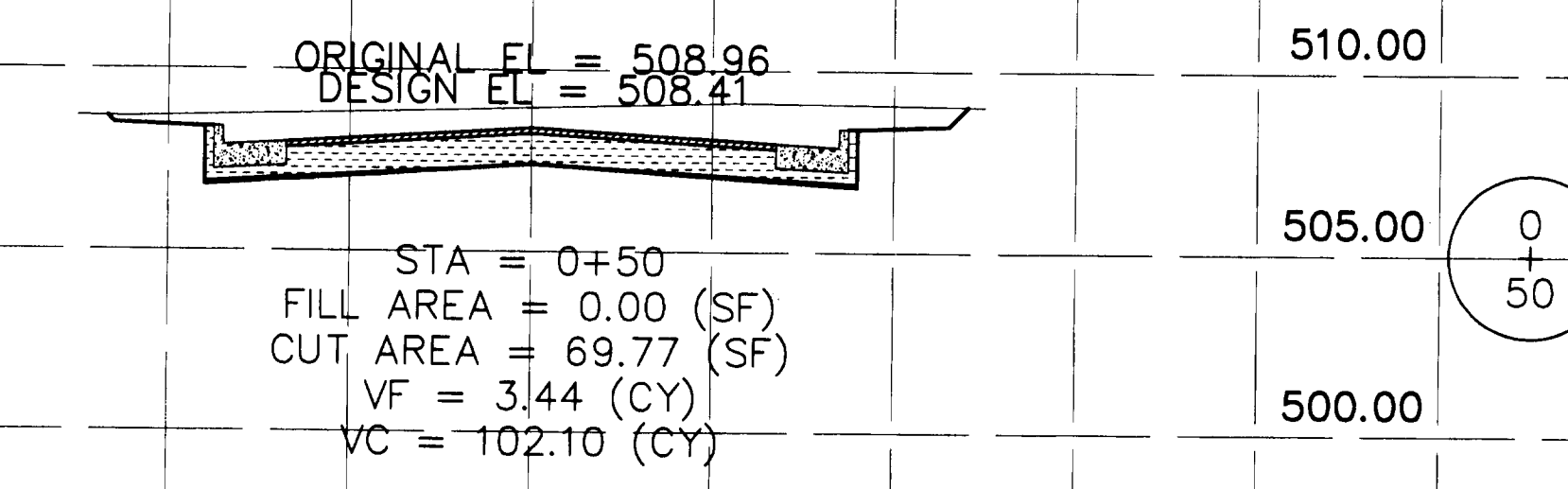
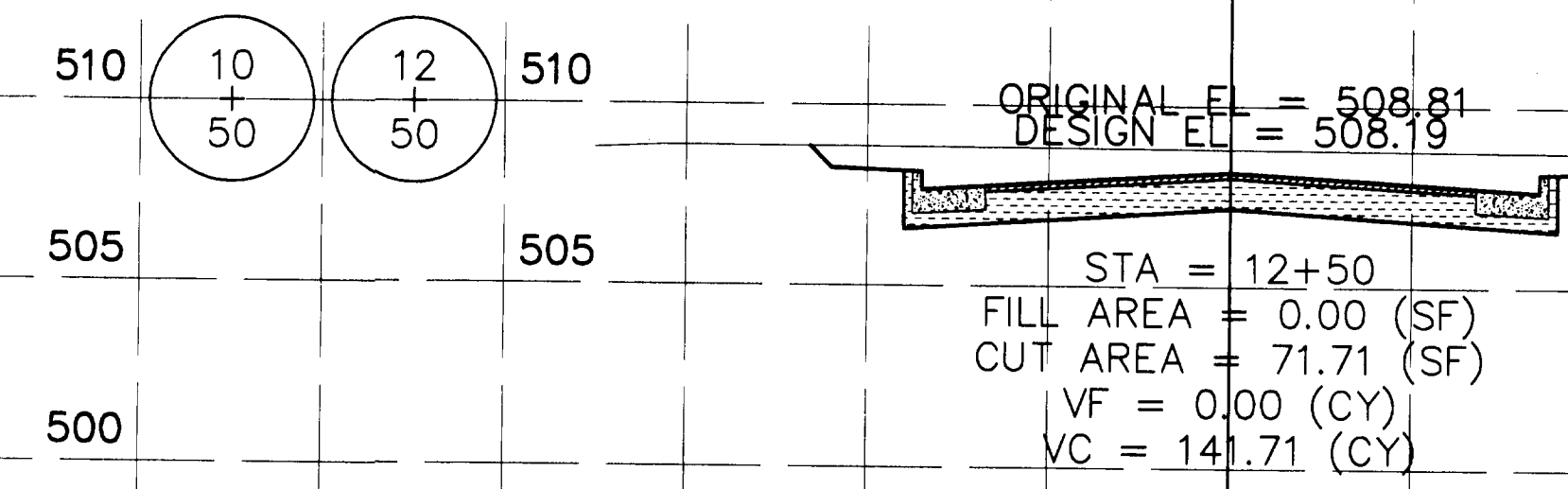
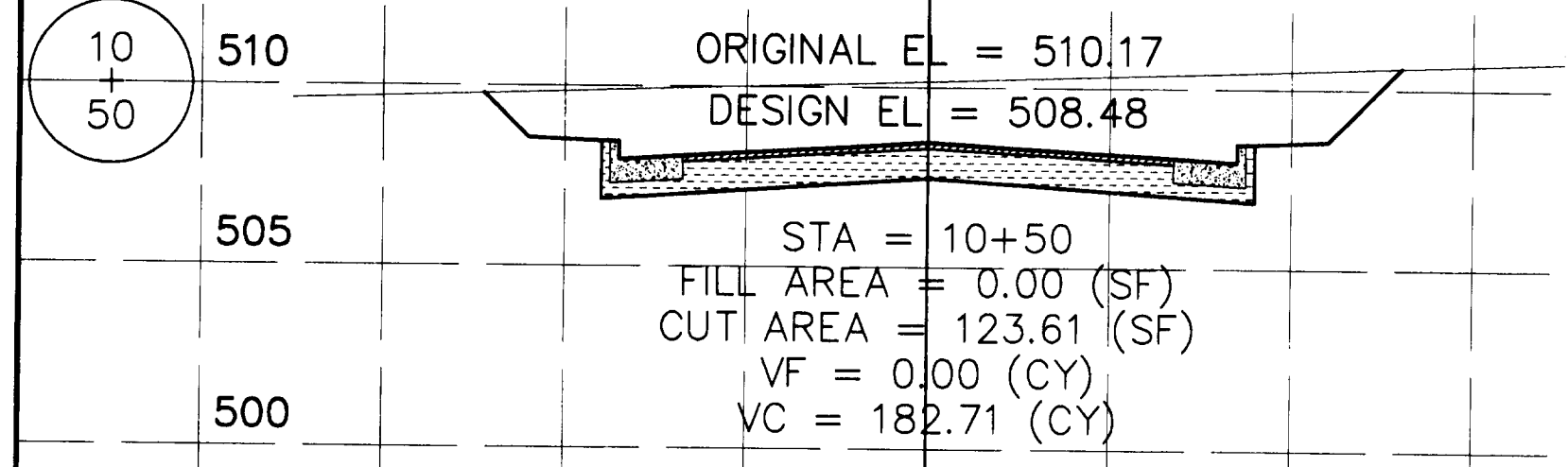
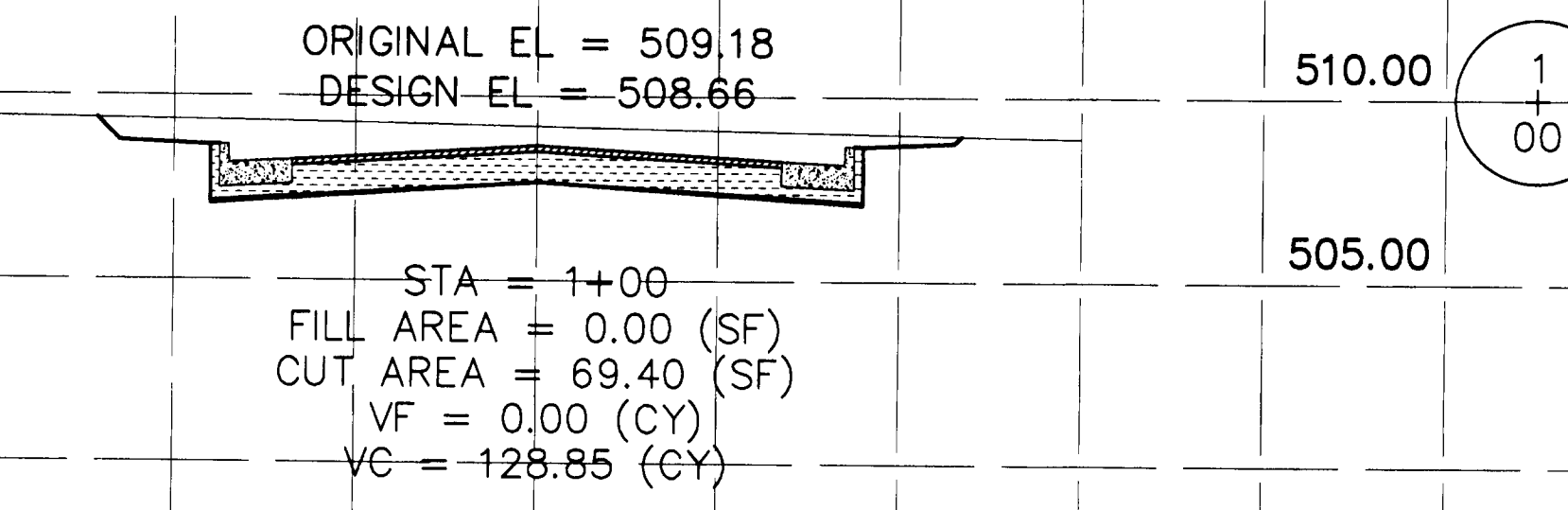
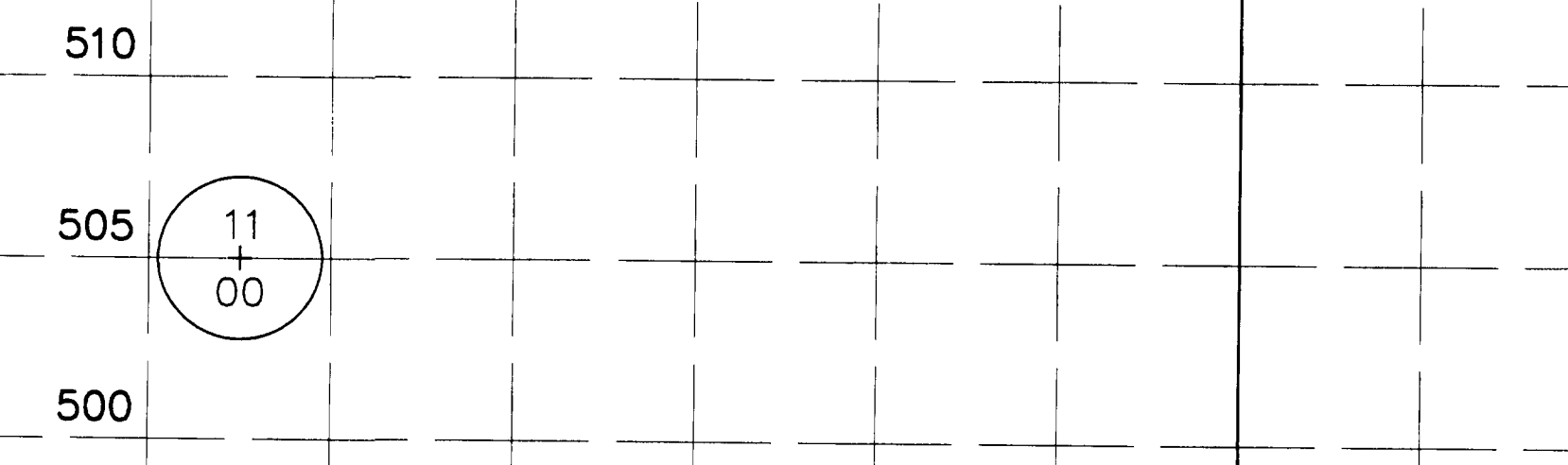
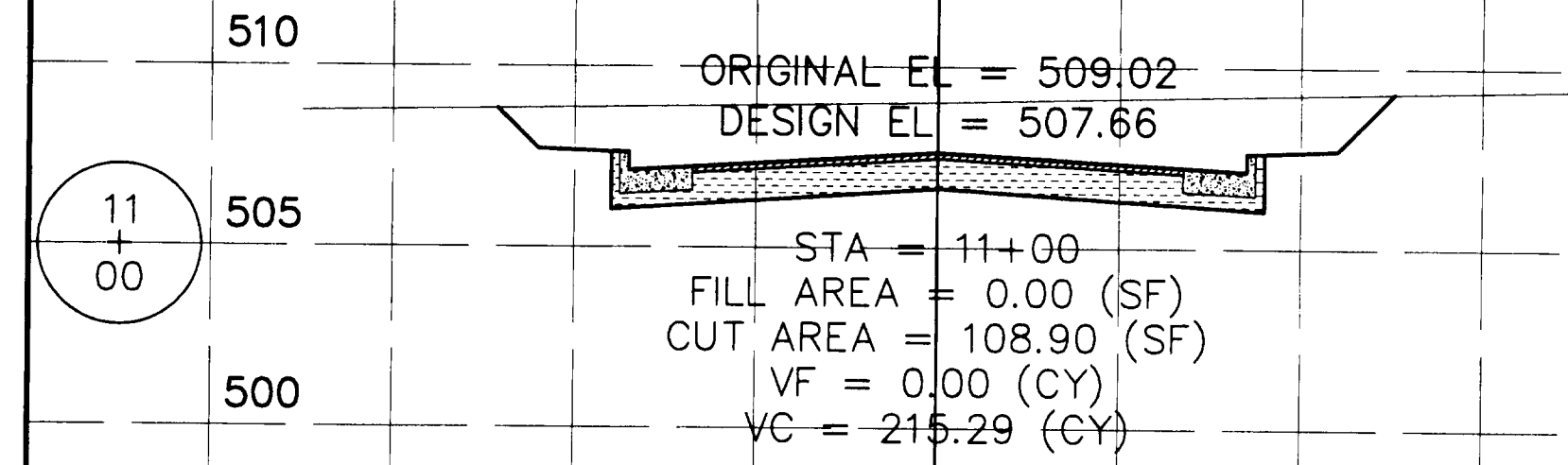
40 30 20 10 0 10 20 30 40 50 40 30 20 10 0 10 20 30 40 50 40.00 30.00 20.00 10.00 0 10.00 20.00 30.00 40.00

TANNHAUSER AVE.

TANNHAUSER AVE.

GENEVA
VICTORIA CT.

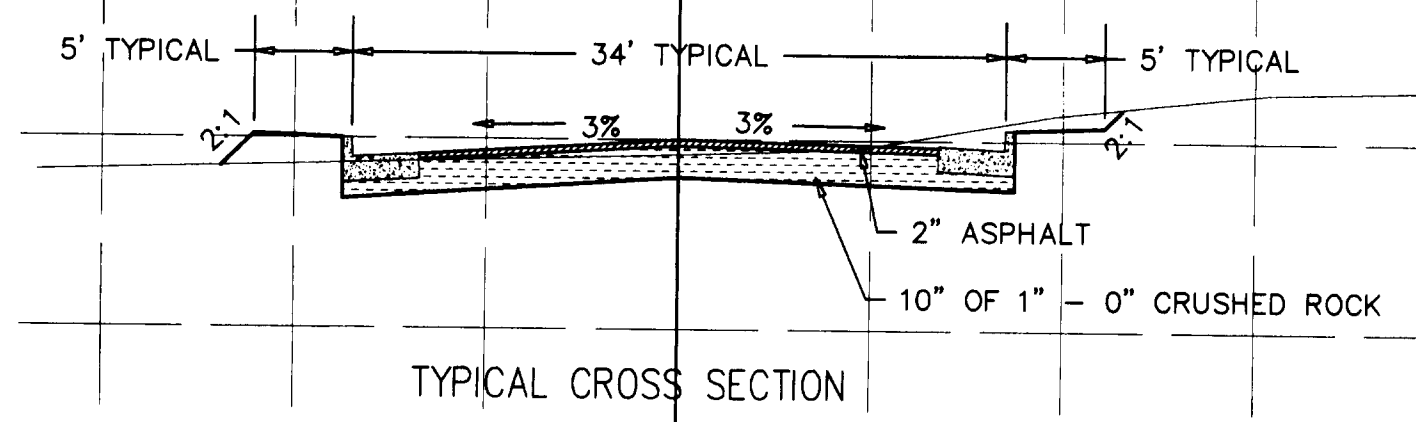
FILED
Date: 7-28-1998 By: JJP
This survey consists of: 13 SHEETS
Map:
Narrative:
Corner Rpt:
DOUGLAS COUNTY
SURVEYOR



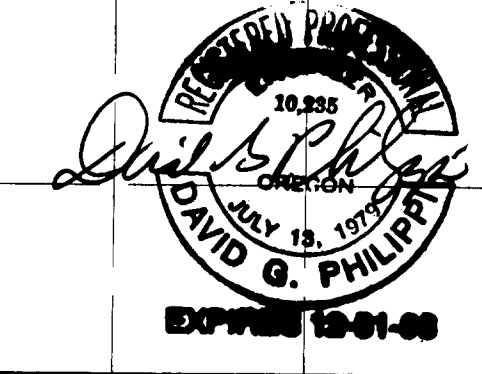
TANNHAUSER AVE.

TANNHAUSER AVE.

GENEVA
VICTORIA CT.



40.00 30.00 20.00 10.00 0 10.00 20.00 30.00 40.00



PROJECT:	BRIARWOOD SUBDIVISION	DATE:	AUGUST 5, 1998
OWNER:	BEACON DEVELOPMENT	REV. 1:	
SHEET TITLE:	CROSS SECTIONS	REV. 2:	
BTS ENGINEERING & SURVEYING, INC. 431 S.E. MAIN ST. ROSEBURG, OR 97470 PHONE (541) 673-0966 FAX (541) 673-0105		REV. 3:	
		JOB #:	97-131
		SHEET:	ST3 OF 5

XSECTION 100