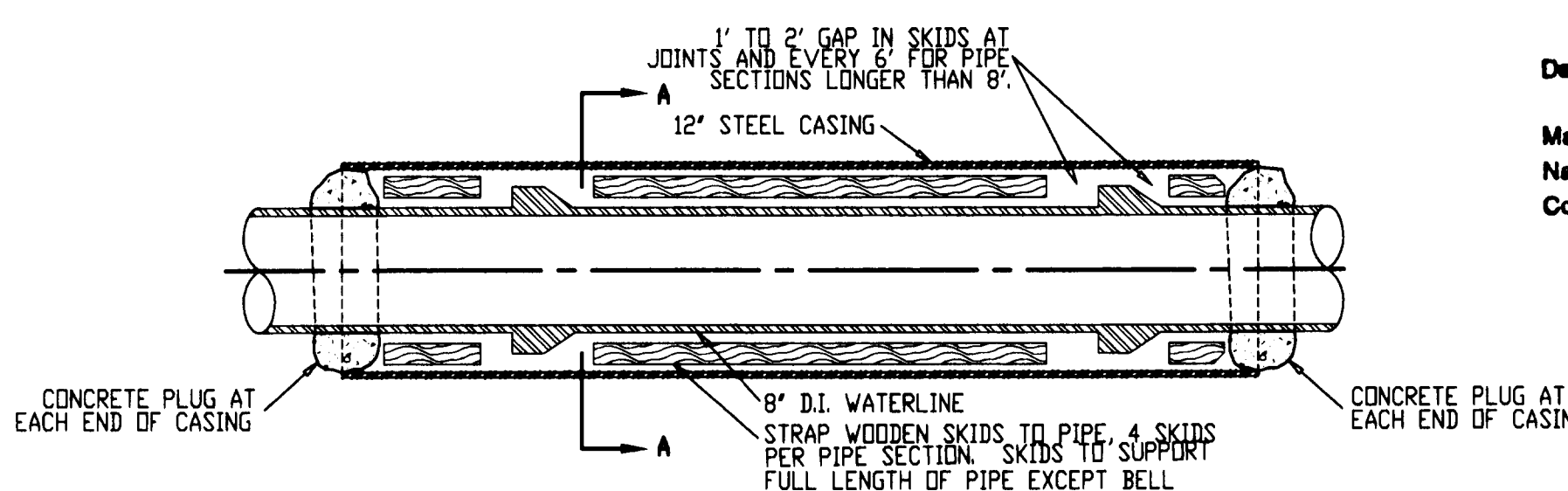
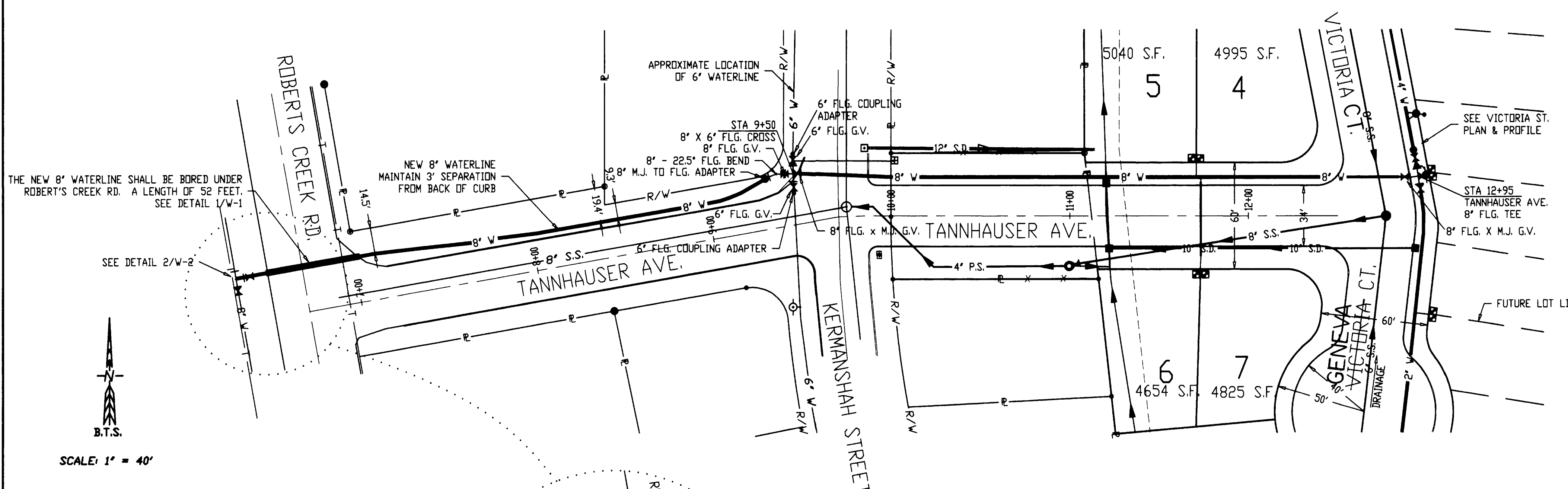
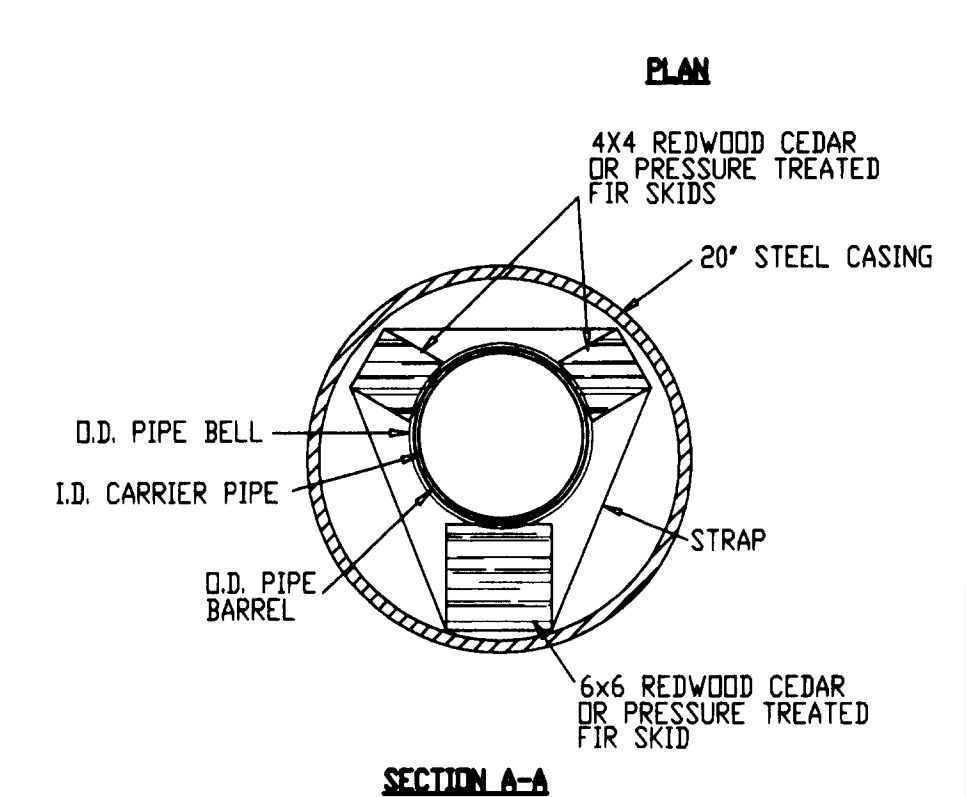


TANNAHAUSER AVE. WATERLINE



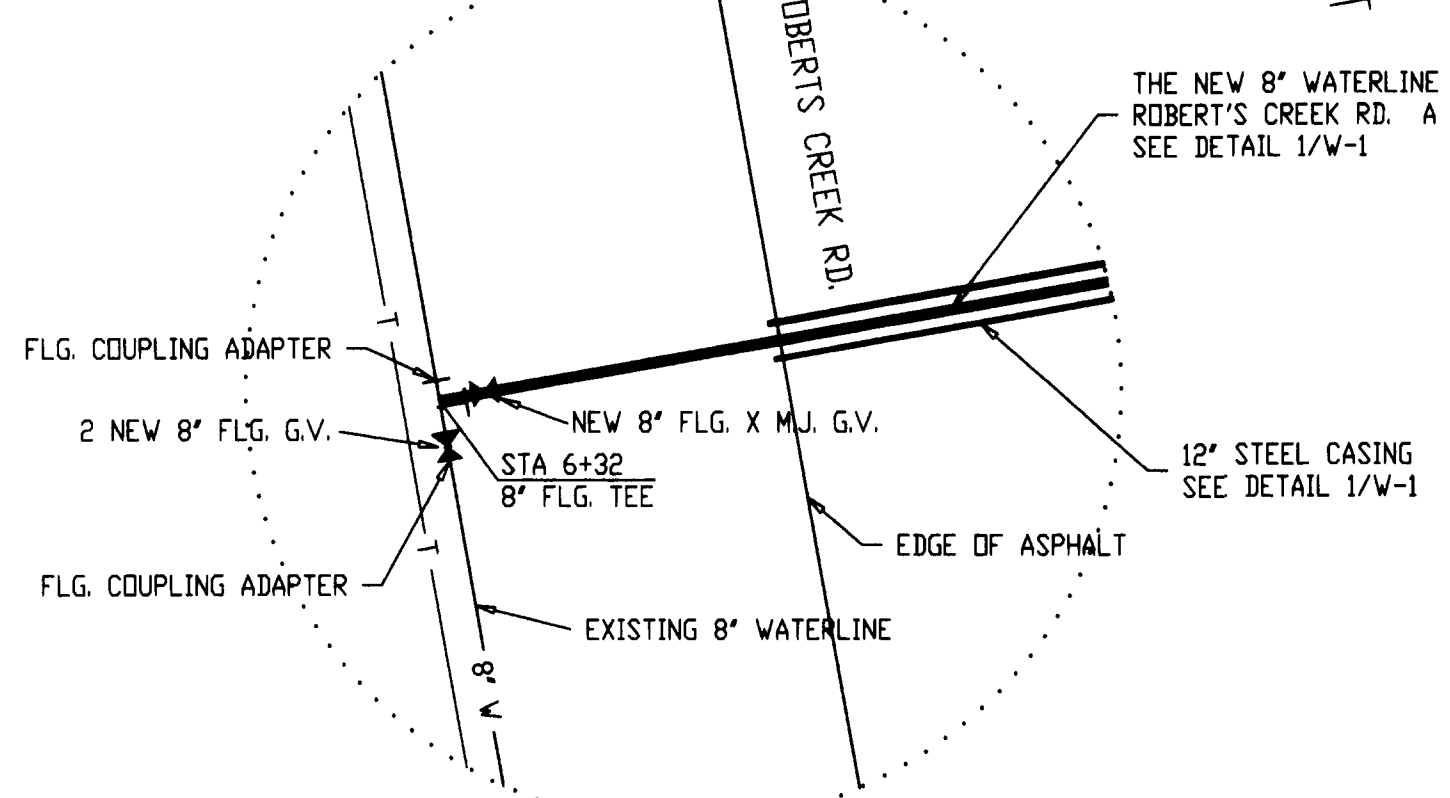
FILED
 Date: 7.29.1999 By: J.P.
 This survey consists of: 13 SHEETS
 Map: _____
 Narrative: _____
 Corner Pkt: _____
 DOUGLAS COUNTY SURVEYOR



NOTE:
 PLUG ENDS OF CASING WITH CONCRETE.

1
 W-1 BORE CASING DETAIL
 N.T.S.

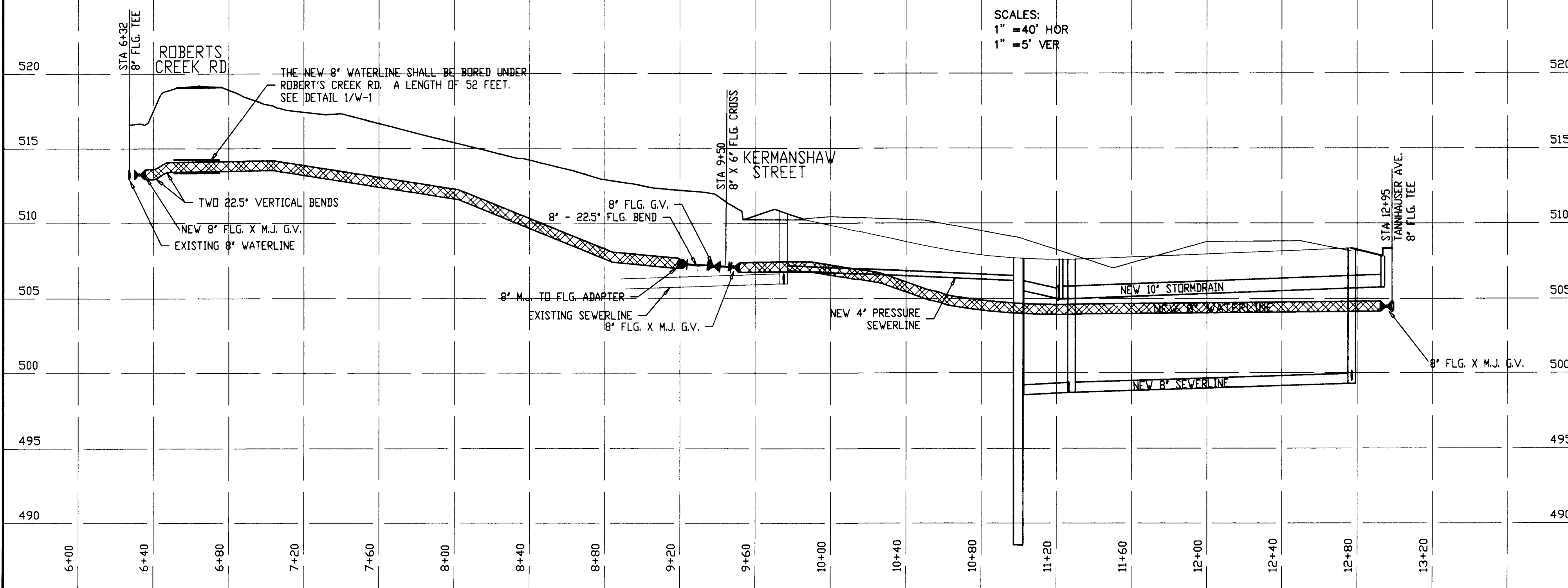
NOTE:
 STATIONING IS BASED ON THE TANNAHAUSER CENTERLINE
 MINIMUM COVER OVER NEW WATERLINES SHALL BE 36"
 NEW 8" WATERLINES CROSSING EXISTING PAVED COUNTY ROAD SHALL
 BE BORED AND ENCASED IN A 12" STEEL PIPE. 8" WATERLINE
 INSIDE STEEL CASING SHALL BE DUCTILE IRON. SEE DETAIL 1/W-1



1
 W-2 WATERLINE CONNECTION DETAIL
 1" = 10"

UTILITY LEGEND	
	DITCH
	FOUND 1/2" IRON PIPE
	FOUND 3/4" IRON PIPE
	FOUND 1" IRON PIPE
	FOUND 5/8" IRON ROD
	FIRE HYDRANT
	EXISTING WATERLINE AND VALVE
	NEW WATERLINE AND VALVE
	2" WATERLINE BLOW-OFF
	CATCH BASIN
	EXISTING SANITARY SEWER MANHOLE
	NEW SANITARY SEWER MANHOLE
	NEW PRESSURE SEWER PUMP
	NEW SANITARY SEWER LINE
	NEW PRESSURE SEWER LINE
	NEW STORM DRAIN
	EXISTING STORM DRAIN
	TELEPHONE PEDESTAL

TANNAHAUSER AVE. WATERLINE



SCALES:
 1" = 40' HOR
 1" = 5' VER

REGISTERED PROFESSIONAL ENGINEER
 10287
 DAVID G. PHILLIPS
 1999
 EXPIRES 12/31/98

PROJECT:	BRIARWOOD SUBDIVISION	DATE:	AUGUST 25, 1998
OWNER:	BEACON DEVELOPMENT	REV. 1:	NOV. 19, 1998
SHEET TITLE:	UTILITIES	AS-BUILTS:	JULY 14, 1999
	ENGINEERING & SURVEYING, INC.	REV. 3:	
	431 S.E. MAIN ST., ROSEBURG, OR 97470	JOB #:	97-131
	PHONE (541) 673-0966 FAX (541) 673-0105	SHEET	W1 OF 13

AS-BUILTS BTS

CO. RD. # 381C

H20LINE1