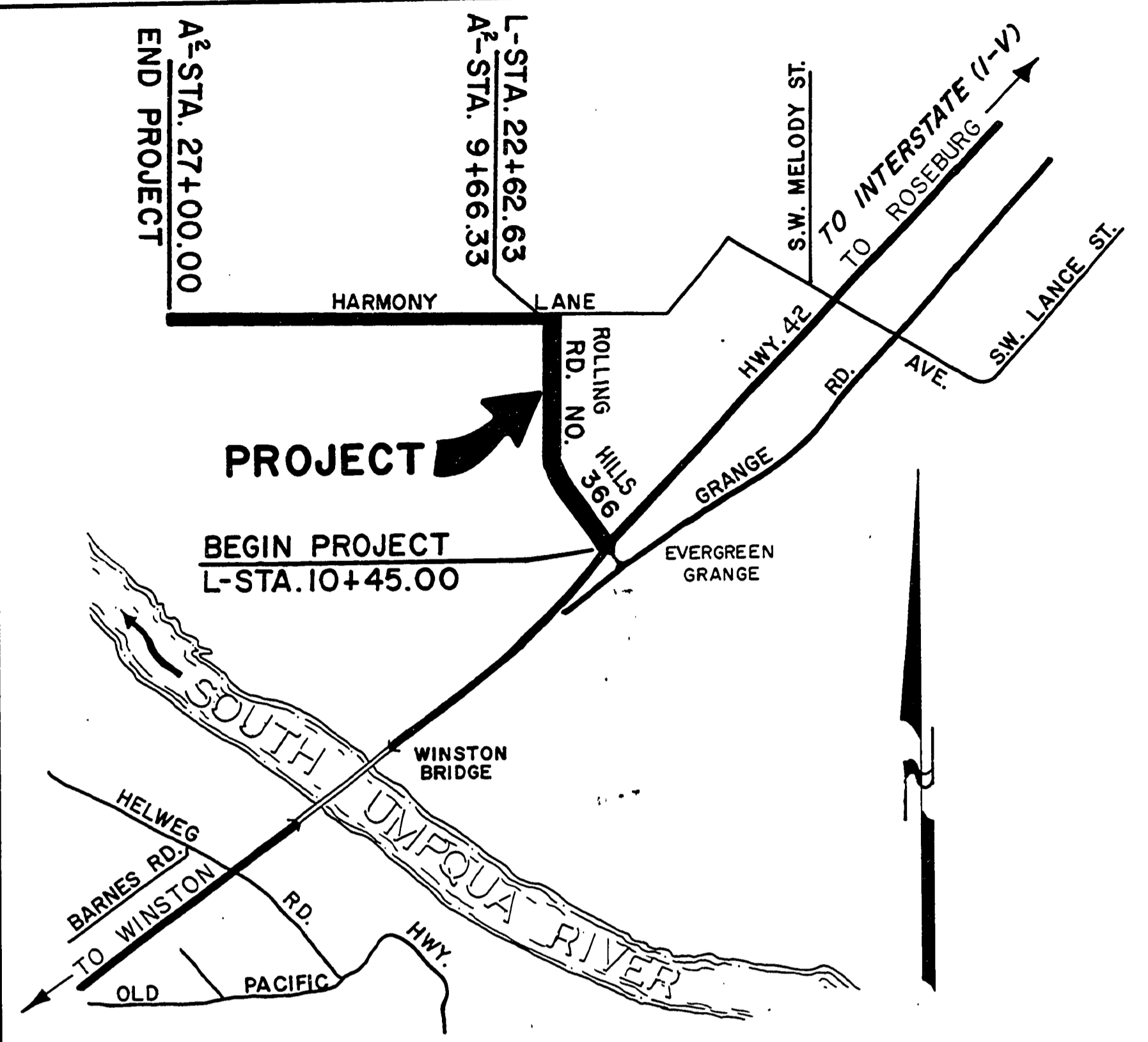


FILED
 PLANET 88
 COUNTY SURVEYOR
 ROSEBURG, OREGON

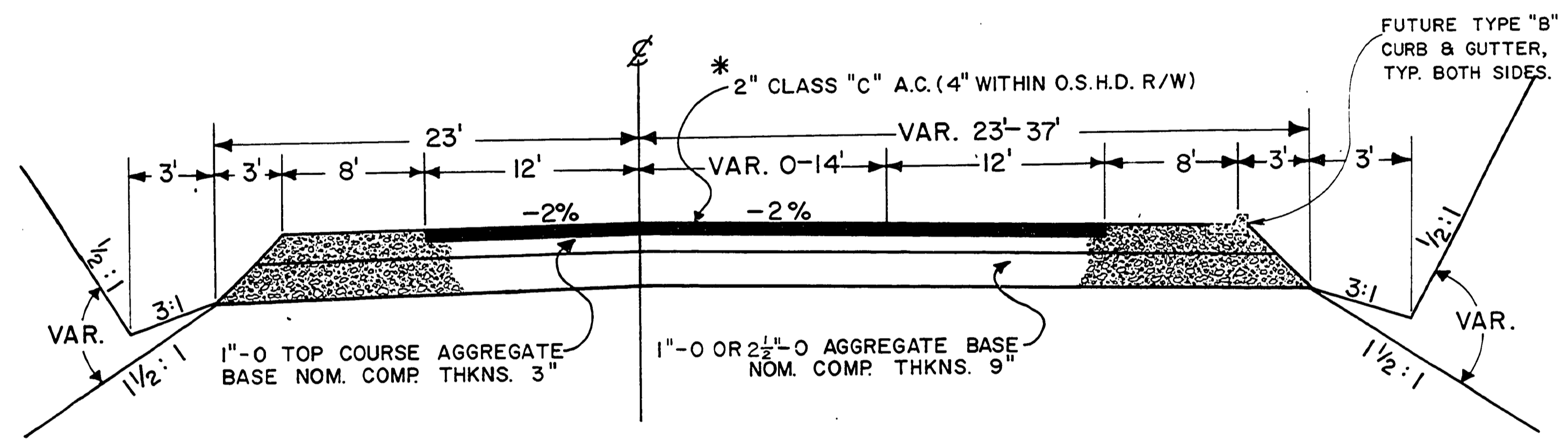
DOUGLAS COUNTY, OREGON
 PLANS FOR PROPOSED PROJECT
 GRADING, SURFACING AND STORM DRAINAGE

ROLLING HILLS ROAD NO. 366
 AND
 HARMONY LANE (No. 377)
 1981

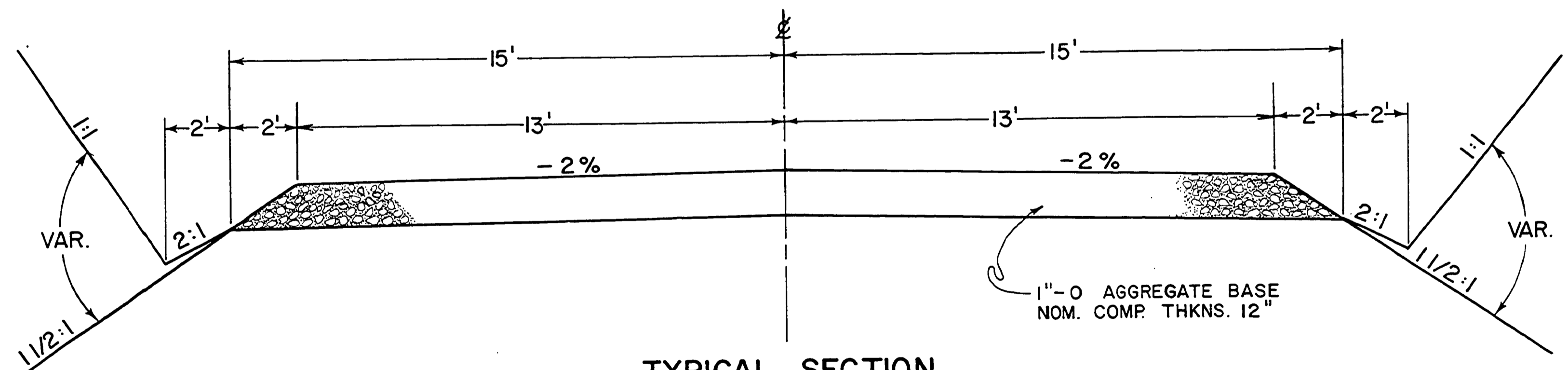
NARRATIVE:
 THE PURPOSE OF THIS SURVEY WAS TO ESTABLISH THE CENTER LINE AND MONUMENT THE RIGHT-OF-WAY OF ROLLING HILLS ROAD, COUNTY ROAD NO. 366 AND HARMONY LANE COUNTY ROAD NO. 377. THE BASIS OF BEARING WAS OBTAINED FROM C.S. FILE 60/16 (DOUGLAS COUNTY SURVEYORS OFFICE) WHICH ESTABLISHED STATE PLANE COORDINATES AND GRID BEARINGS ON THE PORTION OF THE ROLLING HILLS CENTER LINE BETWEEN STATIONS "L" 10+00.00 B.S. AND "L" 14+26.06 P.O.S.T. BEARINGS WERE THEN ROTATED TO TRUE USING $\phi = -1^{\circ}58'46''$. CENTERLINE STATION ON STATE HIGHWAY NO. 42 WAS LOCATED FROM EXISTING RIGHT-OF-WAY MONUMENTS. EXISTING RIGHT-OF-WAY ON HARMONY LANE WAS ESTABLISHED FROM PROPERTY PINS ALONG EXISTING 20 FOOT ROAD EASEMENT. FOR ADDITIONAL SURVEY RECORD INFORMATION SEE M 40-25 AS FILED IN THE DOUGLAS COUNTY SURVEYORS OFFICE.



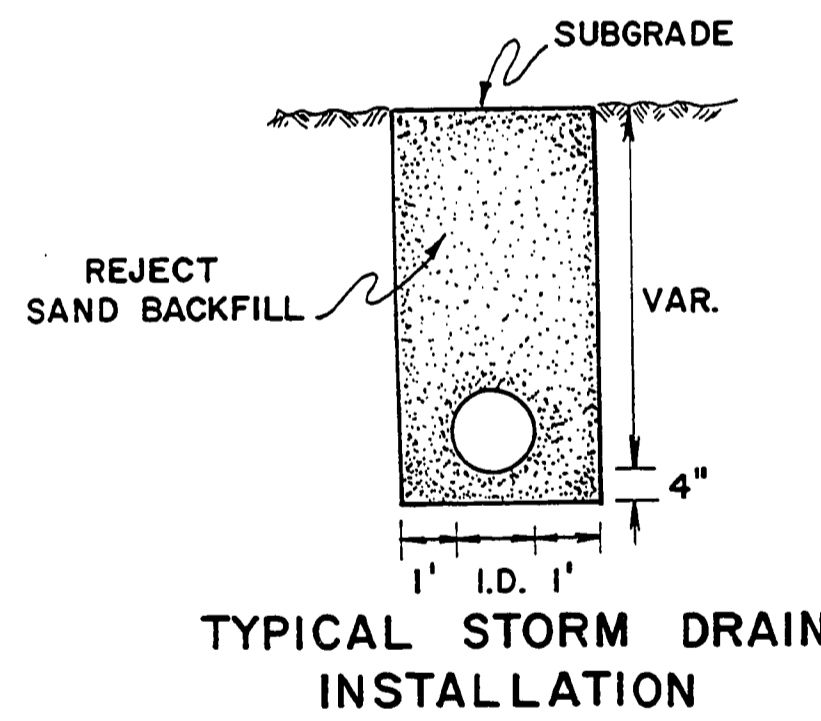
LOCATION MAP
 NO SCALE



TYPICAL SECTION
 * L-10+45 TO L-12+00
 L-12+00 TO L-22+47



TYPICAL SECTION
 A²-8+50 TO A²-27+00



INDEX OF DRAWINGS

SHEET NO.	DESCRIPTION
1	COVER SHEET
2	QUANTITY SUMMARY
3-5	ROAD PLANS
6	STORM DRAIN PLAN
7	DITCH INLET TYPICAL
8-10	STANDARD DRAWINGS 4, 9, AND 310.
TOTAL OF 10 SHEETS	

PROFESSIONAL LAND SURVEYOR
 WARREN H. POLAND
 OREGON
 1982



AS CONSTRUCTED
 Dwn. By JAN
 ckd By R.C.
 ROSEBURG, OREGON

DOUGLAS COUNTY
 PUBLIC WORKS DEPARTMENT
 ROLLING HILLS ROAD NO. 366
 & HARMONY LANE #377
 1981 - JUNE SHT. 1
 K.L. ERICKSON, DIRECTOR

6th # 366
 377
 JUN 1981
 sht 1 of 7
 sec # 366

ROAD0377