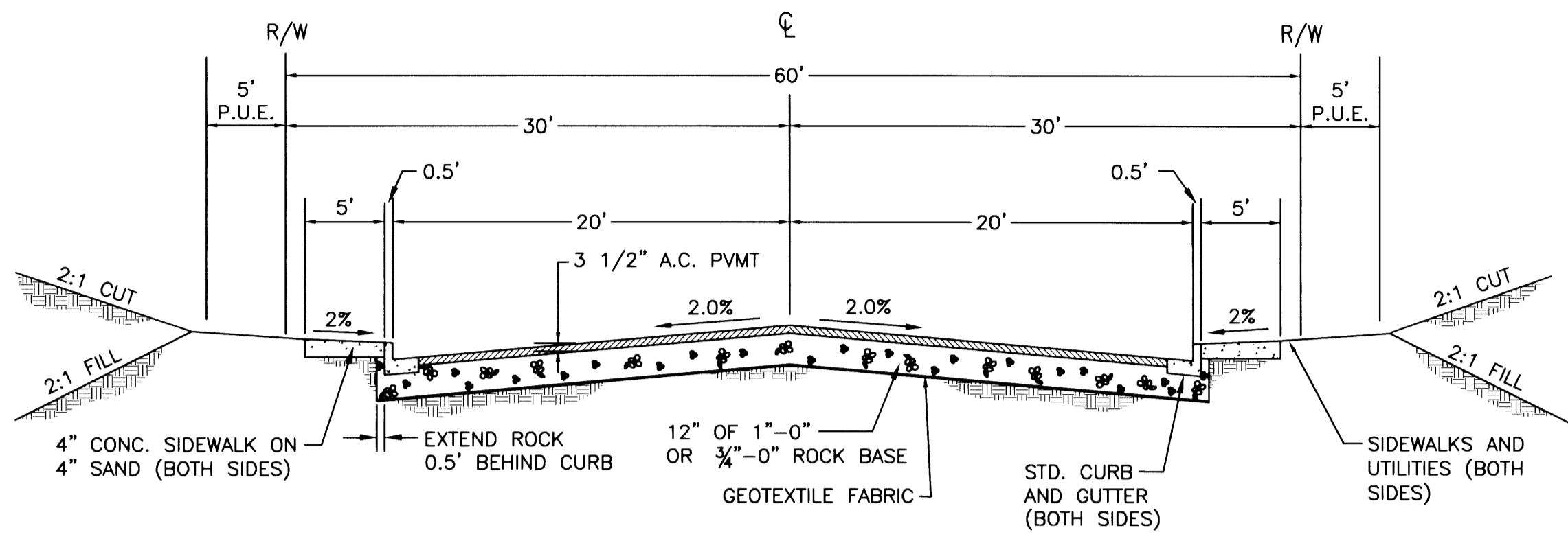
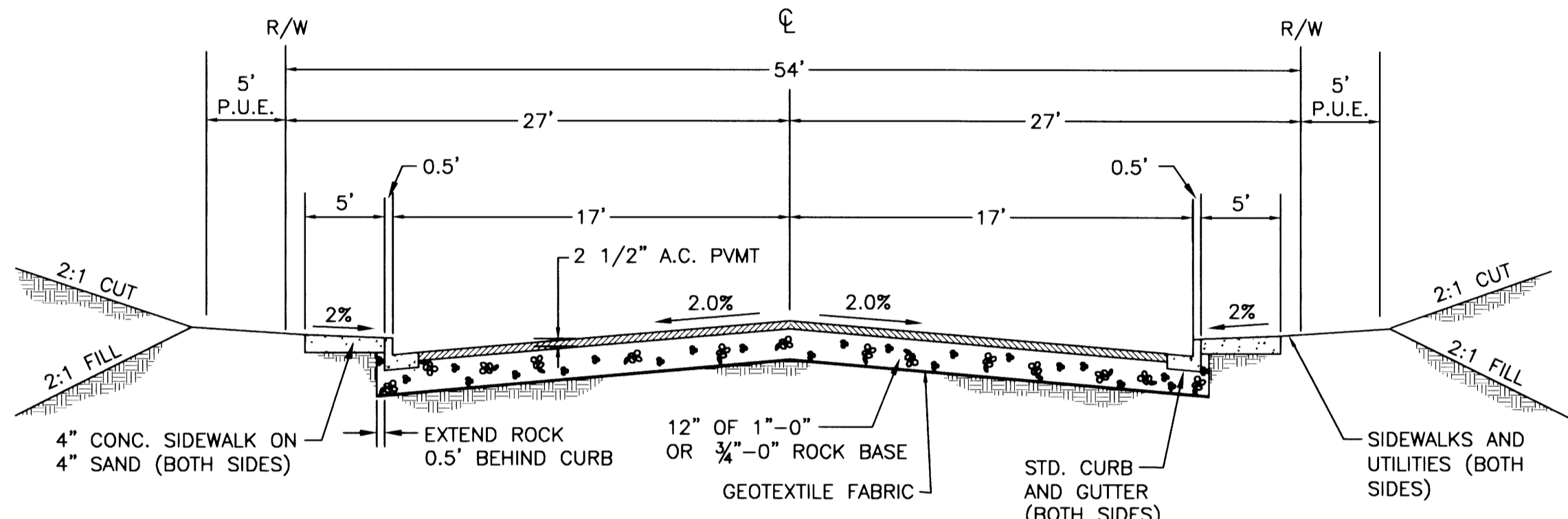


SCALE:
HORIZ: 1"=20'
VERT: 1"=5'

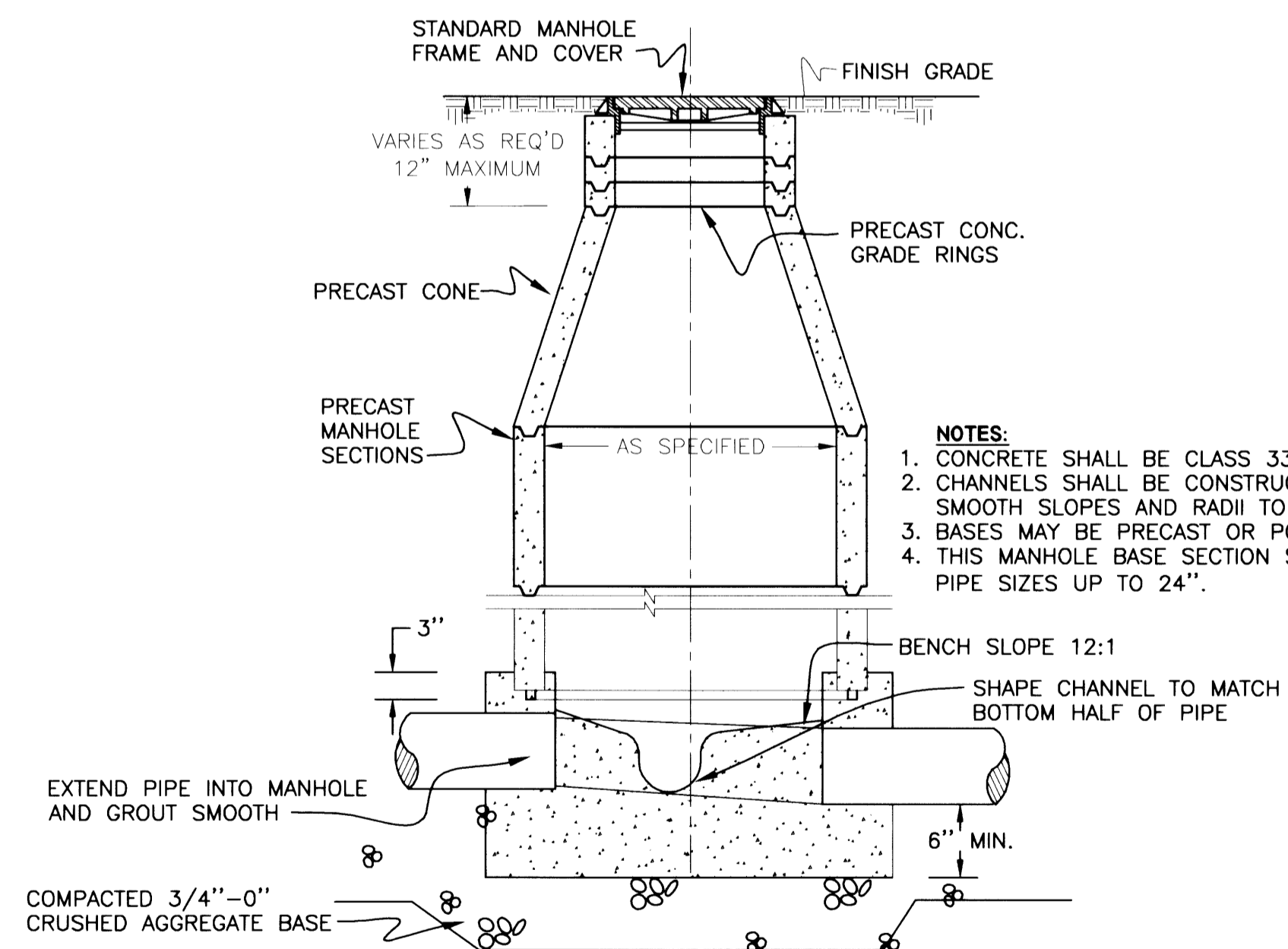
FILED
This Survey Contains:
Narrative:
Corner Rpt:
DOUGLAS COUNTY SURVEYOR



TYPICAL STREET SECTION
ROLLING HILLS RD. (MINOR COLLECTOR)

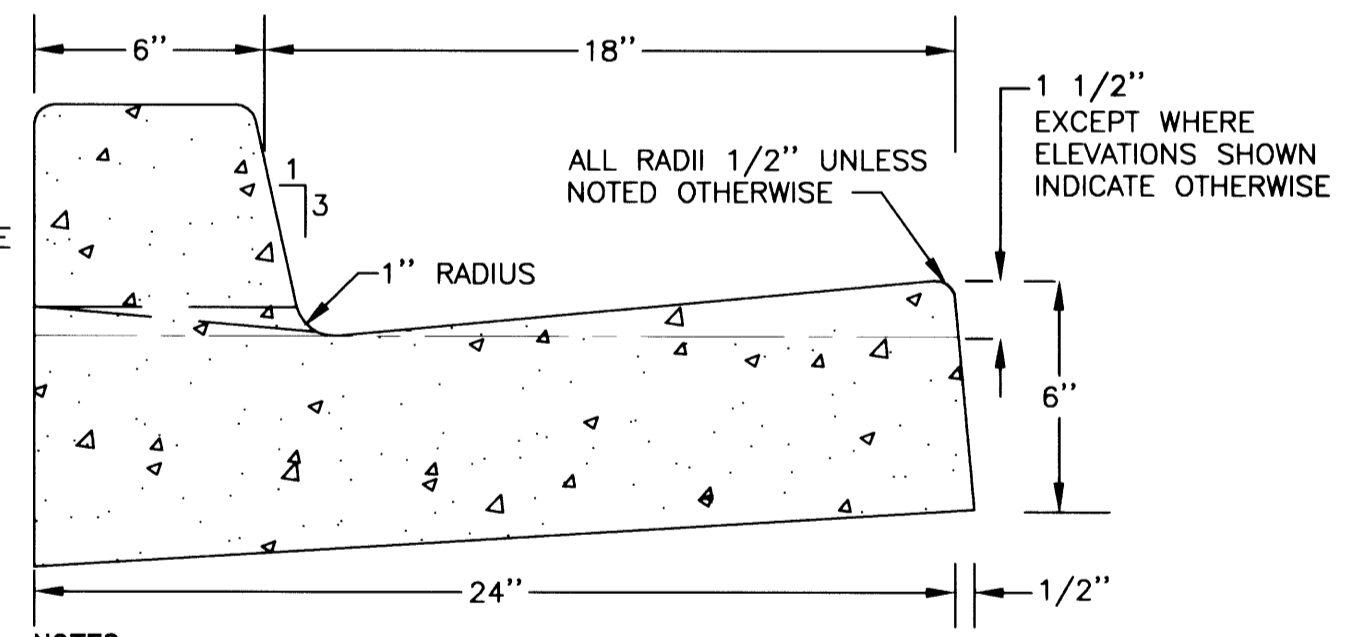


TYPICAL STREET SECTION
RESIDENTIAL LOOP & CUL-DE-SAC



TYPICAL STORM MANHOLE DETAIL

- NOTES:**
1. CONCRETE SHALL BE CLASS 3300
 2. CHANNELS SHALL BE CONSTRUCTED TO PROVIDE SMOOTH SLOPES AND RADII TO OUTLET PIPE.
 3. BASES MAY BE PRECAST OR POURED IN PLACE.
 4. THIS MANHOLE BASE SECTION SHALL BE USED FOR PIPE SIZES UP TO 24".

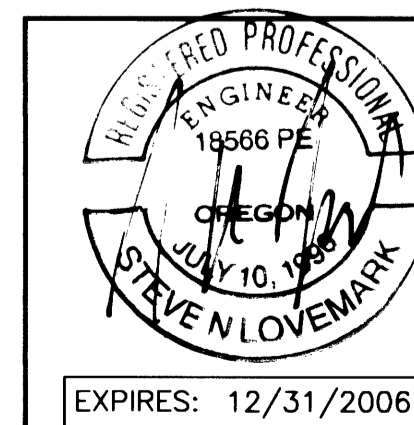


TYPICAL CURB AND GUTTER

- NOTES:**
1. CONCRETE SHALL BE CLASS 3300-1 1/2"
 2. SEE DRAWINGS S-8 AND S-9 FOR JOINT LOCATION AND DETAILS.

NOTE:
FOR CLARITY, DRIVEWAYS ARE NOT SHOWN.
CONTRACTOR TO COORDINATE w/OWNER
FOR LOCATION & WIDTH.

CALL BEFORE YOU DIG I
ONE CALL: (800) 332-2344
OAR 952-001-0010 THROUGH
OAR 952-001-0090



Rev.	Date	Dwg	Description
1	6/2/04	BWC	COUNTY & AGENCY REVIEW
2	1/17/05	ANV	AS-BUILTS

i.e. ENGINEERING
741 SE Jackson Street
Roseburg, Oregon 97470
PHONE (541) 673-0166
FAX (541) 440-9392
jemail@ieengineering.com

Project Name: **RIVER CREST ESTATES**

Title: **CHAR STREET SEWER AND DETAILS**

DES DMA	PROJECT NO. 1944-01T5
DWG BWC	DATE: MAY 4, 2004
CHK SNL	SCALE: AS SHOWN
APP SNL	SHEET: 9 OF 13

Co. Rd. # 375 N, 375 J, 376 K

DO NOT DUPLICATE

R375SEWD