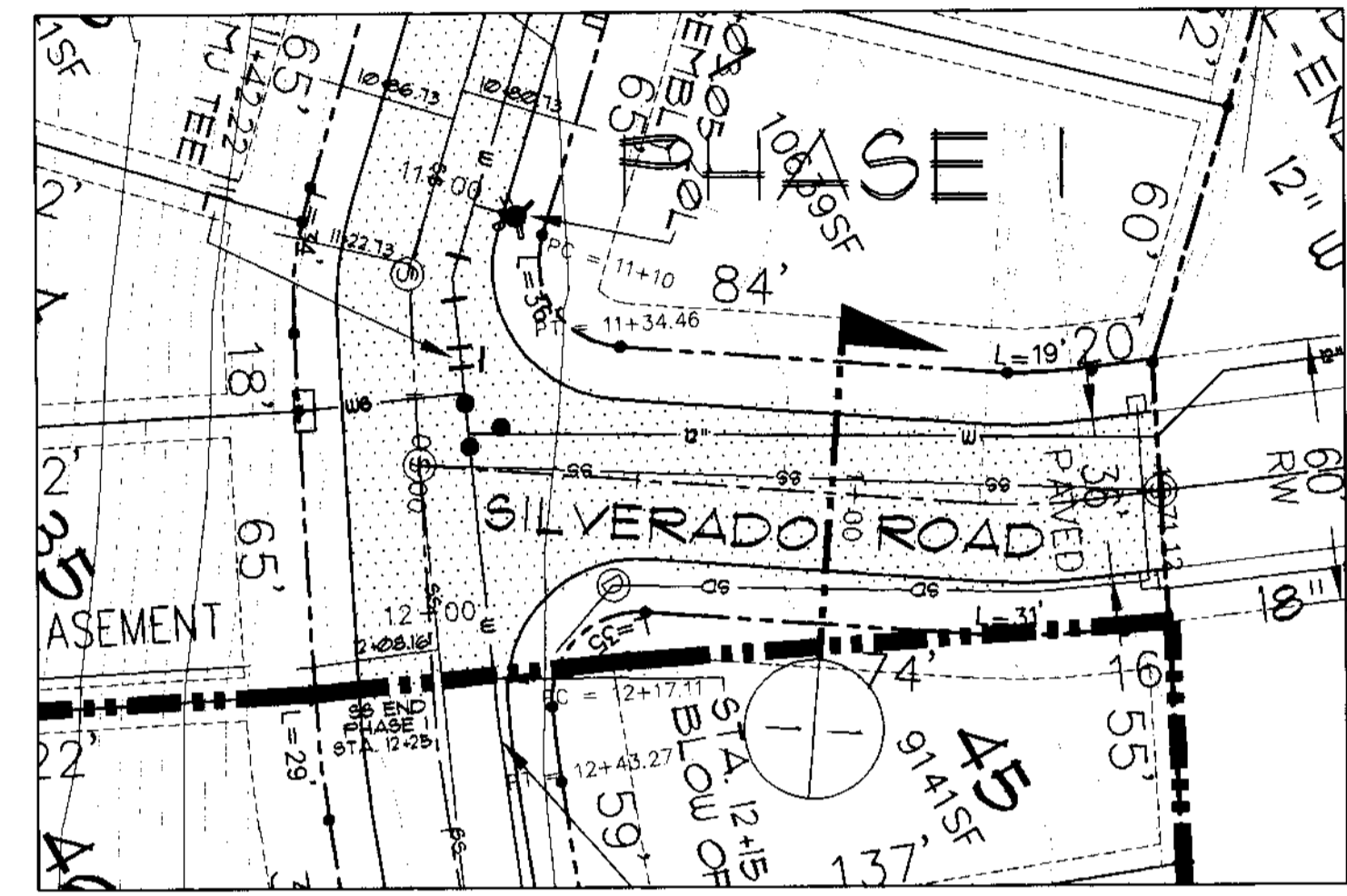
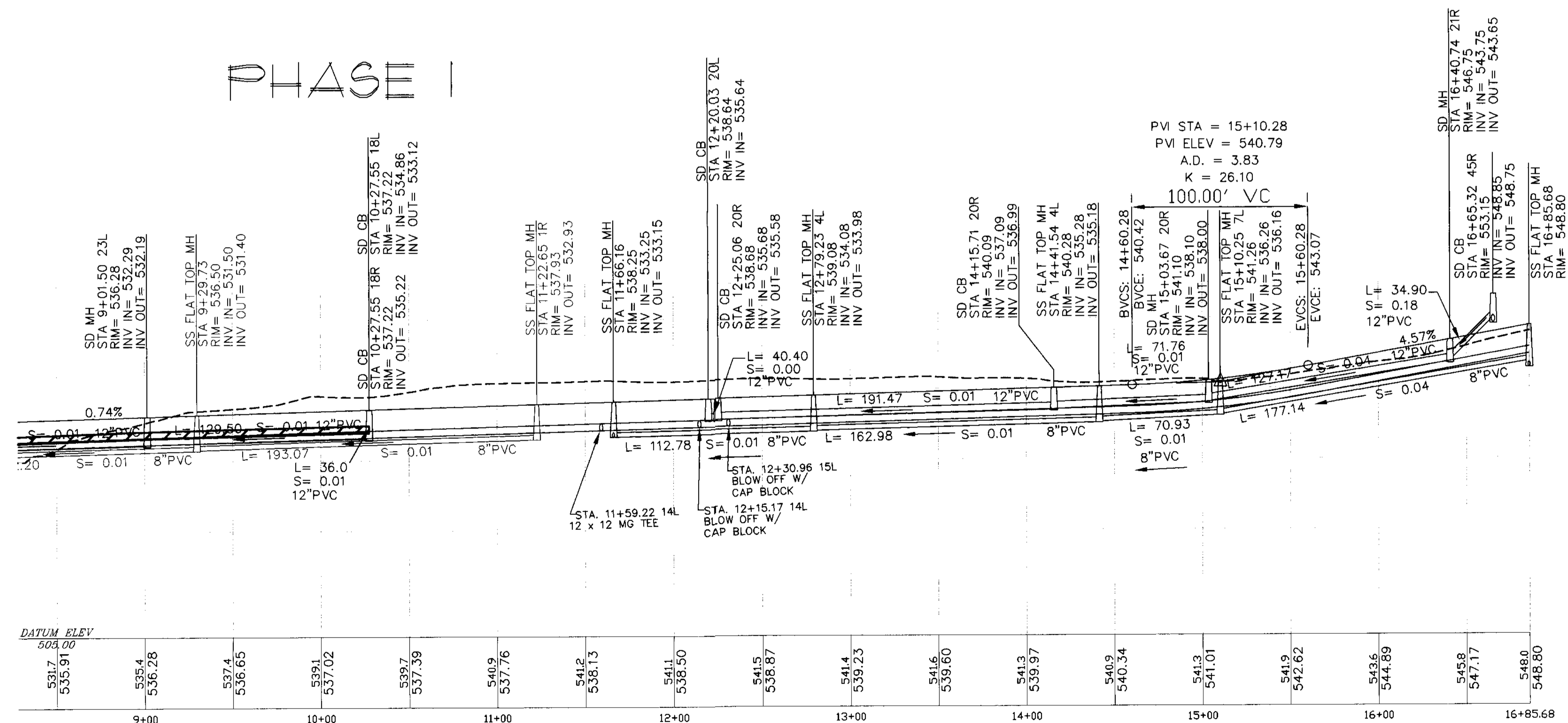


RIVER VIEW ROAD-PLAN
SCALE: 1"=40'

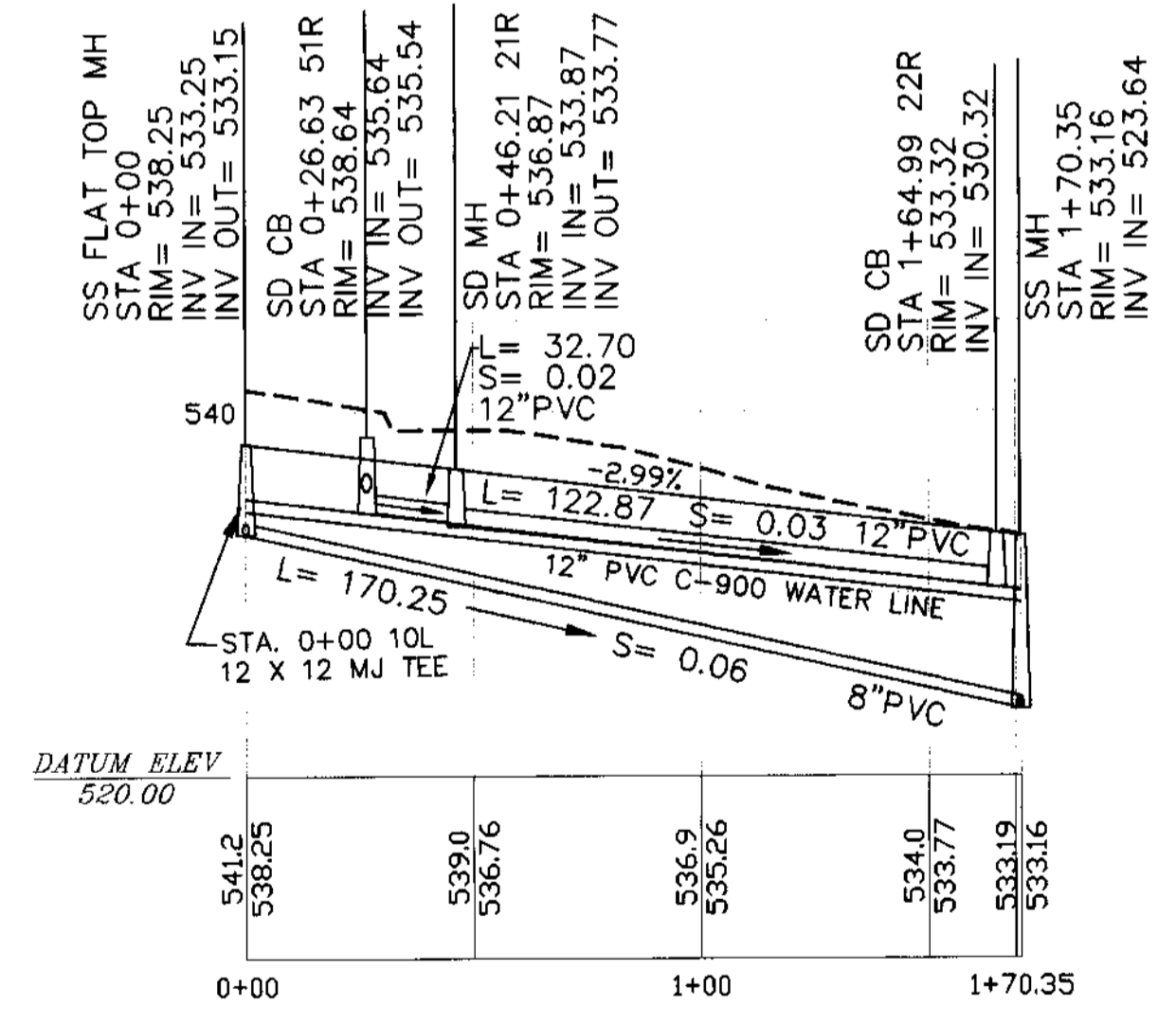


SILVERADO ROAD-PLAN
SCALE: 1"=40'

PHASE I



RIVER VIEW ROAD-PHASE I PROFILE
SCALE:
HORIZ: 1"=40'
VERT: 1"=10'



SILVERADO ROAD-PHASE I PROFILE
SCALE:
HORIZ: 1"=40'
VERT: 1"=10'

RECORD DRAWING
THIS DRAWING IS AN APPROXIMATE REPRESENTATION OF THE RECORDED 'AS-BUILT' CONDITIONS. THIS INFORMATION IS ONLY A GRAPHIC REPRESENTATION. EXISTING CONDITIONS SHOULD BE VERIFIED PRIOR TO ANY WORK OR CONSTRUCTION ON OR IN RELATION TO THE INFORMATION SHOWN ON THESE PLANS.
DRAWN BY: D.B. DATE: 2/19/01
CONTRACTOR: ROSEBURG PAVING

REVISIONS	
STORM DRAIN	2/23/99
REVISED WATERLINE PER R.C.W.D.	2/19/99
REVISED WATER AND SANITARY	2/19/99
REVISED CHAR ALIGNMENT	2/24/00
REVISED PER 'AS-BUILT' MARKUPS	2/19/00

T.J. BOSSARD, INC.
Civil & Structural Engineering
133 N.W. "D" Street
Grants Pass, OR 97526
TEL.: (541) 479-5774
FAX: (541) 471-6084



RIVER VIEW SUBDIVISION
RIVER VIEW ROAD PLAN & PROFILE STA. 8+00 TO END
SILVERADO ROAD PLAN & PROFILE
THE BURDETTE LOVING TRUST
280 EAST DELMAR AVENUE #939
PASADENA, CALIFORNIA 91101

DRAWN BY: L.W.
CHECKED BY:
DATE: 8/23/99
SCALE: AS SHOWN
CADDFILE: 99049-04.PS
JOB NO.: 99-049
SHEET 4 OF 10