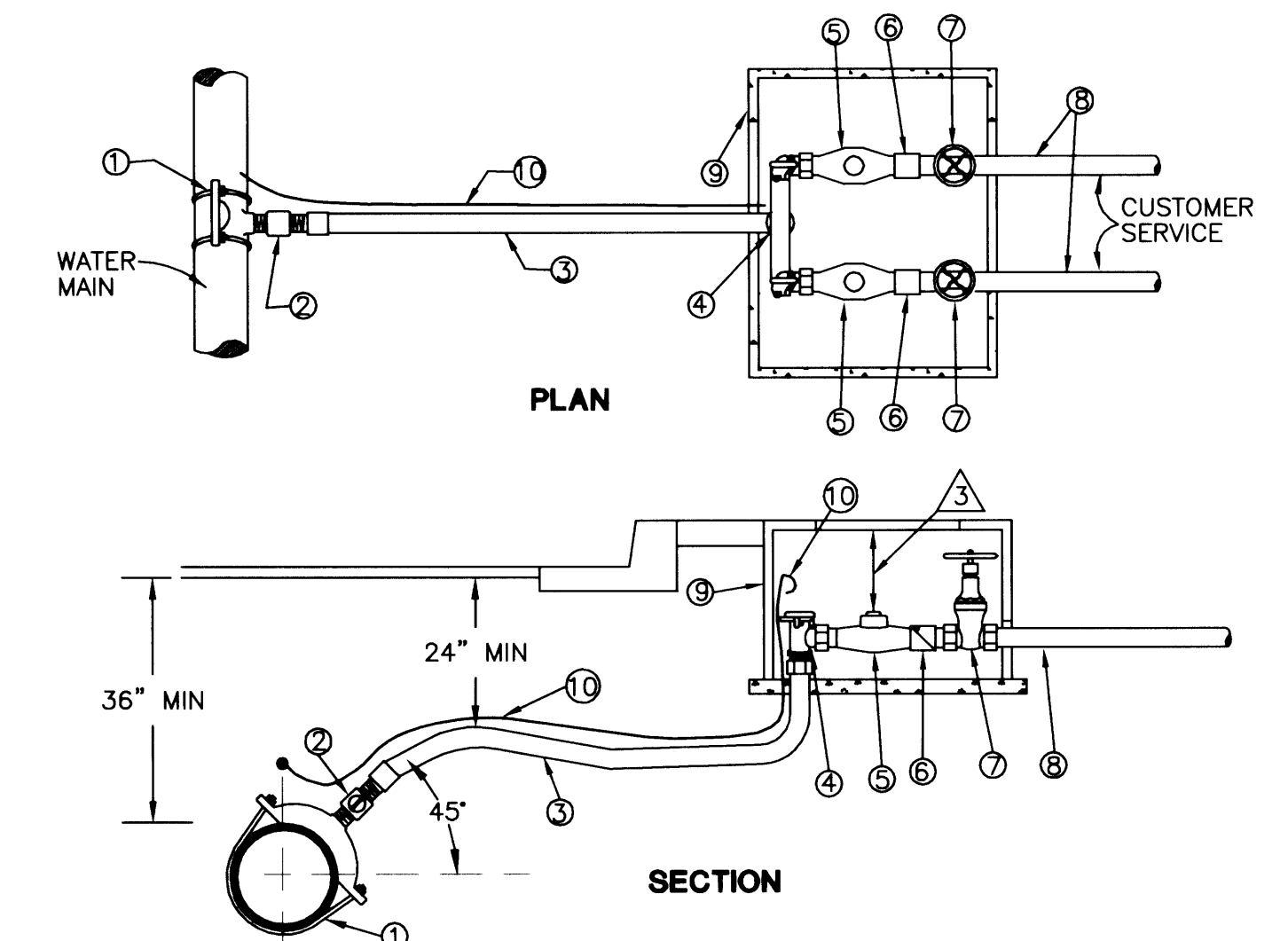


FITTING SIZE	TEE, WYE, PLUG, OR CROSS	90° BEND PLUGGED CROSS	TEE PLUGGED ON RUN A1 A2	45° BEND	22 1/2° BEND	11 1/4° BEND
2	0.2	0.4	0.6	0.4	0.2	---
3	0.5	0.8	1.2	0.8	0.5	0.2
4	1.0	1.4	1.9	1.4	1.0	0.4
6	2.1	3.0	4.3	3.0	1.6	1.0
8	3.8	5.3	7.6	5.4	2.9	1.5
10	5.9	8.4	11.8	8.4	4.6	2.4
12	8.5	12.0	17.0	12.0	6.6	3.4
14	11.5	16.3	23.0	16.3	8.9	4.6
16	15.0	21.3	30.0	21.3	11.6	6.0
18	19.0	27.0	38.0	27.0	14.6	7.6
20	23.5	33.3	47.0	33.3	18.1	9.4
24	34.0	48.0	68.0	48.0	26.2	13.6

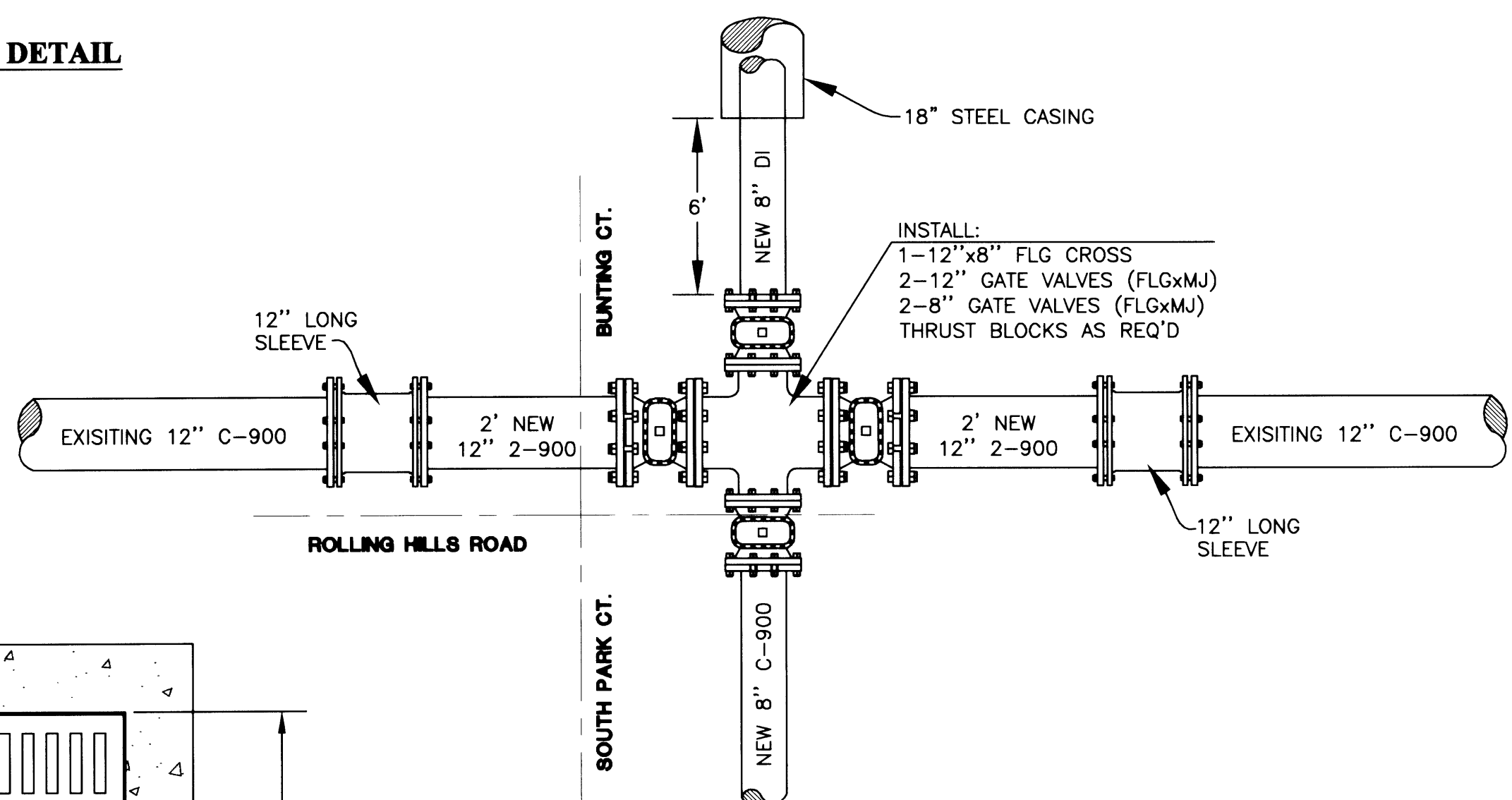
NOTE: ABOVE BEARING AREAS BASED ON TEST PRESSURE OF 150 p.s.i. AND AN ALLOWABLE SOIL BEARING STRESS OF 2,000 LBS. PER SQUARE FOOT. TO COMPUTE BEARING AREAS FOR DIFFERENT TEST PRESSURES AND SOIL BEARING STRESSES, USE THE FOLLOWING EQUATION: BEARING AREA = (TEST PRESSURE/150) x (2000/SOIL BEARING STRESS) x (TABLE VALUE)

NOTES:
 1. CONCRETE THRUST BLOCKING TO BE POURED AGAINST UNDISTURBED EARTH.
 2. KEEP CONCRETE CLEAR OF JOINT AND ACCESSORIES.
 3. THE REQUIRED THRUST BEARING AREAS FOR SPECIAL CONNECTIONS ARE SHOWN ENCIRCLED ON THE PLANS, e.g. 15 INDICATES 15 SQUARE FEET BEARING AREA REQUIRED.
 4. IF NOT SHOWN ON PLANS REQUIRED BEARING AREAS AT FITTING SHALL BE AS INDICATED ABOVE, ADJUSTED IF NECESSARY TO CONFORM TO THE TEST PRESSURE(S) AND ALLOWABLE SOIL BEARING STRESS(ES) STATED IN THE SPECIAL SPECIFICATIONS.
 5. BEARING AREAS AND SPECIAL BLOCKING DETAILS SHOWN ON PLANS. TAKE PRECEDENCE OVER BEARING AREAS AND BLOCKING DETAILS SHOWN ON THIS STANDARD DETAIL.



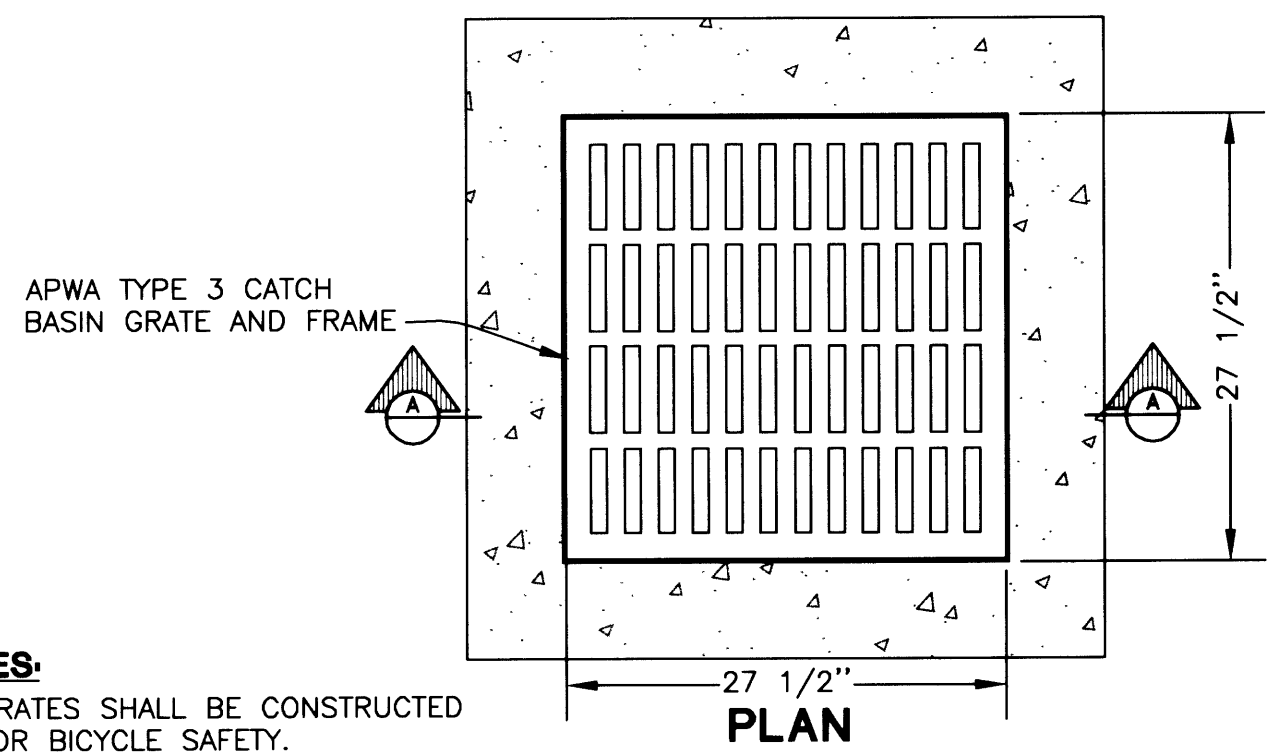
ITEM NO.	SIZE	DESCRIPTION	TYPE	QTY.
1	AS REQ'D	SERVICE SADDLE	FORD, BRASS S-91	1
2	1"	CORP. STOP	FORD, F-1100-G	1
3	1"	SERVICE PIPE	200 PSI HI MOLY POLYETHYLENE CTS PIPE	AS REQ'D
4	1"	BRANCH VALVE ASSEMBLY	FORD, UV-43-32, 14" WIDTH	1
5	5/8"x3/4"	METER	NEPTUNE T-10 GALLONS READER	2
6	3/4"	DOUBLE CHECK VALVE	AS REQUIRED	2
7	3/4"	CUSTOMER VALVE	METER ADAPTER w/ 3/4" GATE VALVE	2
8	-	CUSTOMER SERVICE	PER STATE PLUMBING CODE (RECONNECT TO EXISTING CUSTOMER SERVICE)	-
9	-	METER BOX	PLASTIC	1
10	NO. 12	TONE WIRE	ELECTRICAL THNN SOLID COPPER WIRE, COIL 12" IN METER BOX	AS REQ'D

OR APPROVED EQUAL. SEE GENERAL SPECIFICATIONS.
 TYPE AS APPROVED BY MANUFACTURER FOR WATER MAIN TYPE & SIZE.
 TOP OF METER SHALL BE 4" TO 6" BELOW BOTTOM OF LID.

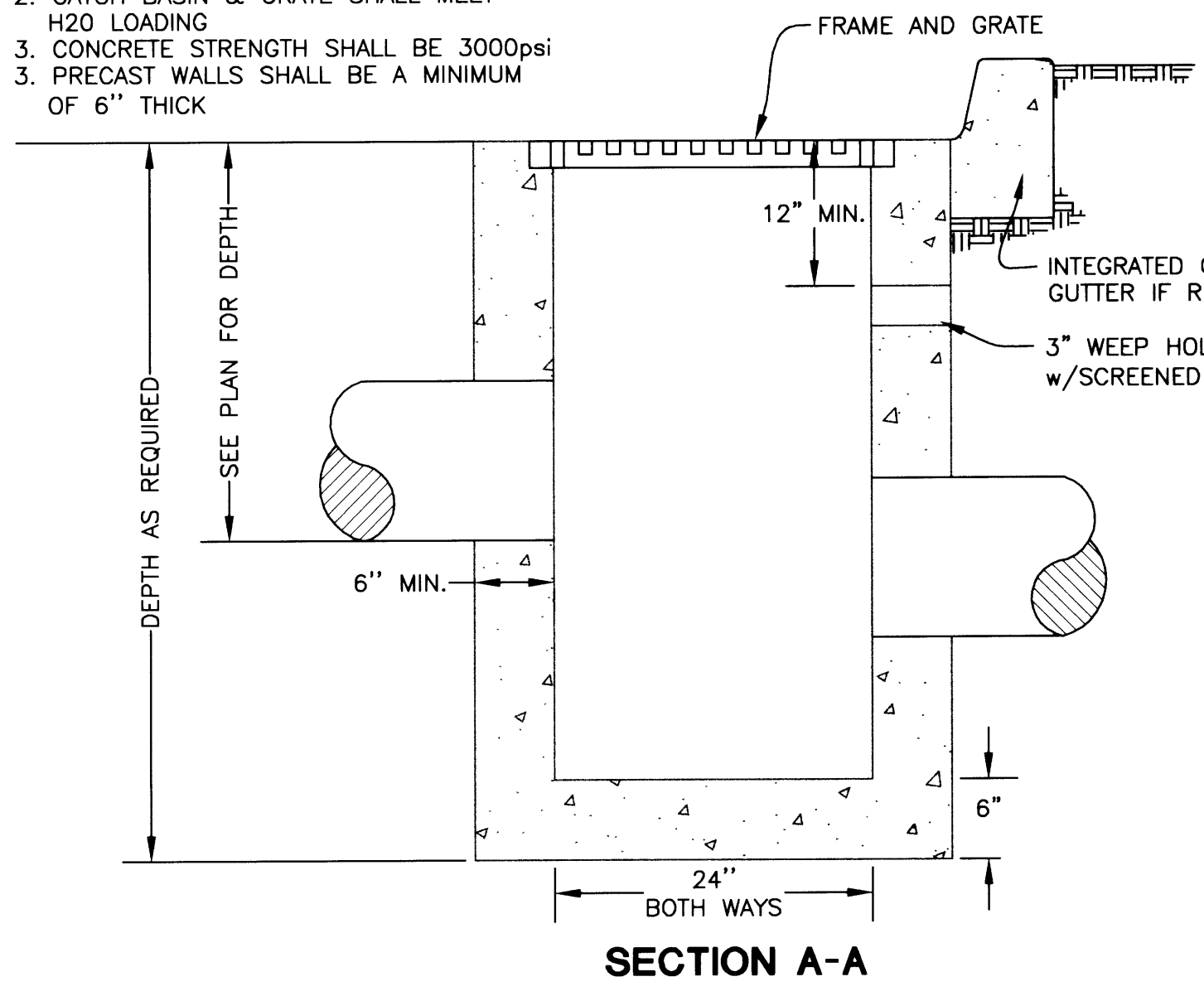


THRUST BLOCK DETAILS AND INFORMATION NO SCALE

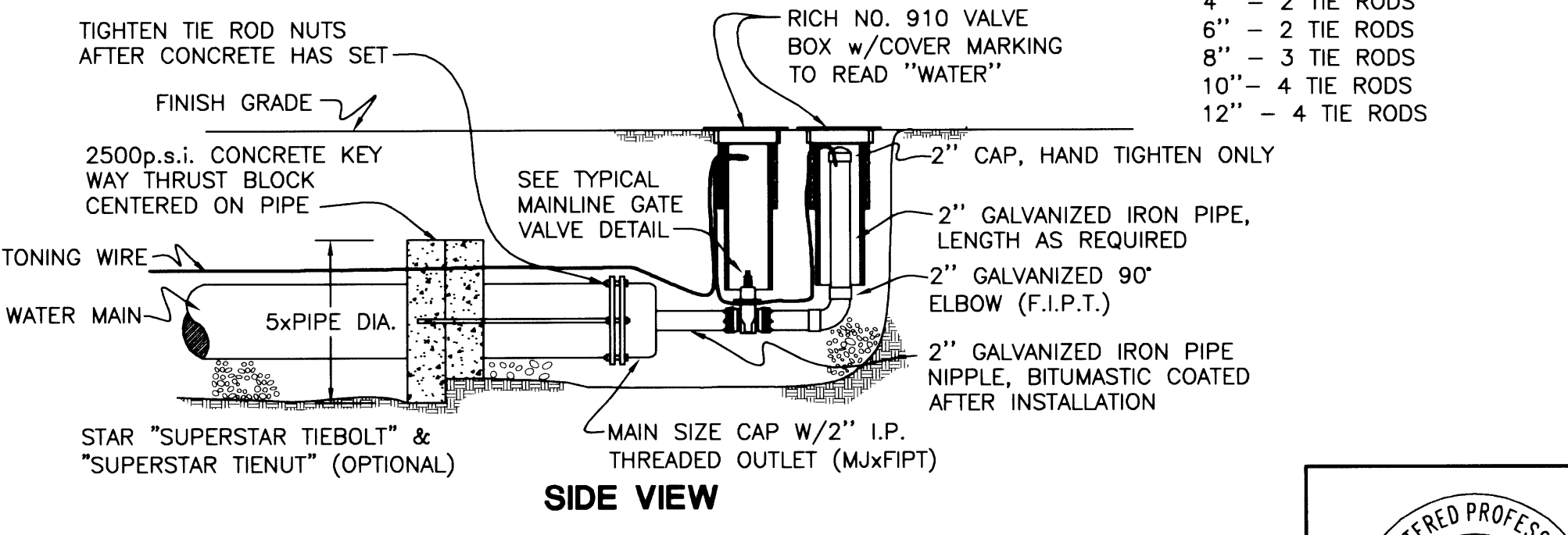
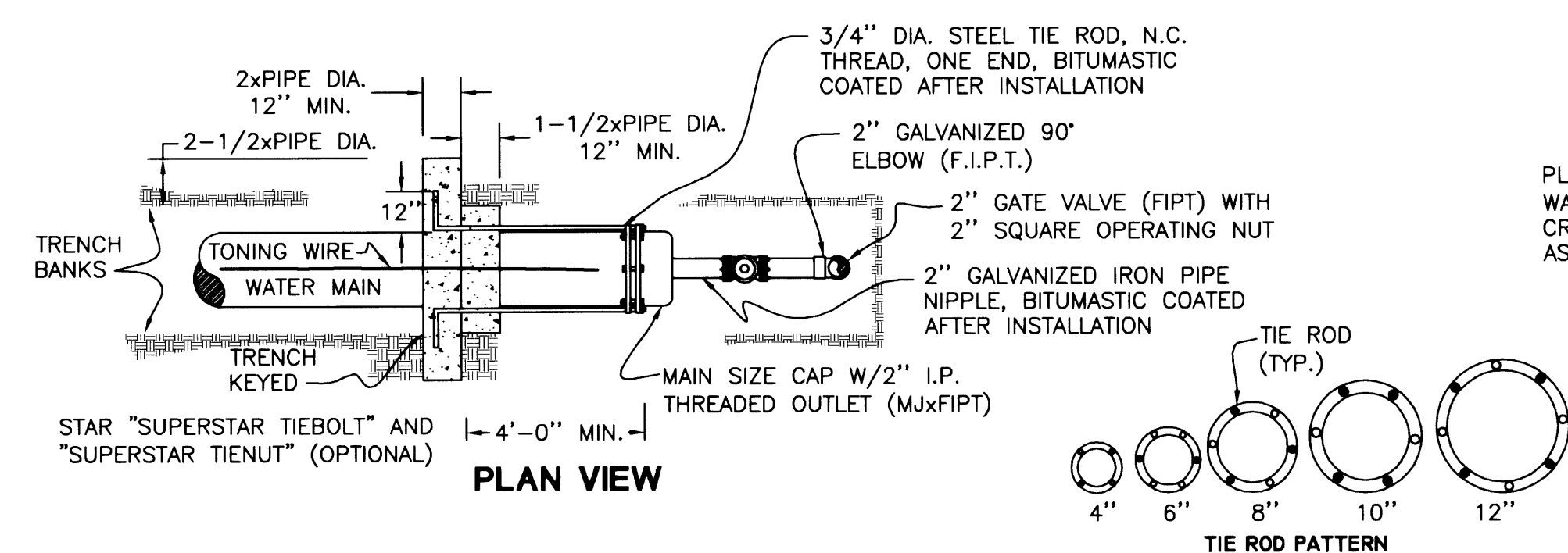
TYPICAL DUAL 5/8"x3/4" METER INSTALLATION ASSEMBLY



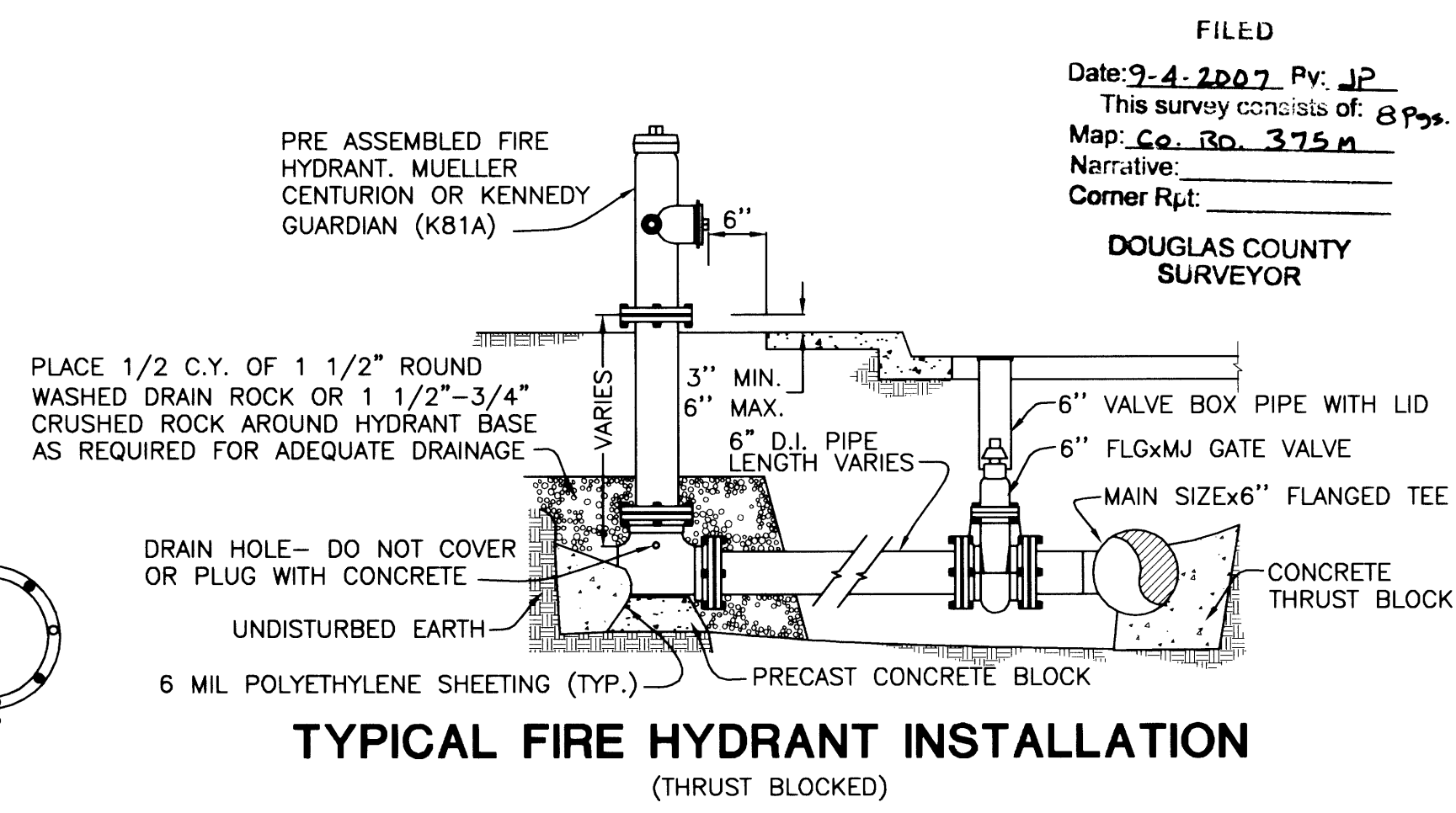
NOTES:
 1. GRATES SHALL BE CONSTRUCTED FOR BICYCLE SAFETY.
 2. CATCH BASIN & GRATE SHALL MEET H2O LOADING.
 3. CONCRETE STRENGTH SHALL BE 3000PSI.
 3. PRECAST WALLS SHALL BE A MINIMUM OF 6" THICK.



CATCH BASIN / AREA DRAIN



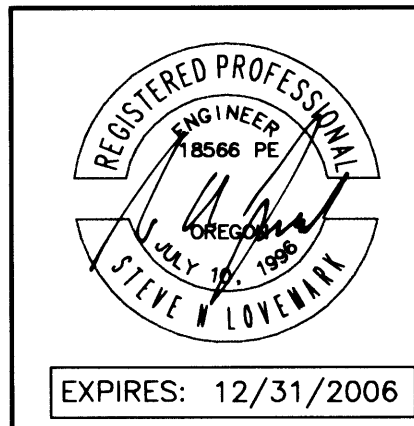
TYPICAL 2" BLOWOFF ASSEMBLY DETAIL



TYPICAL FIRE HYDRANT INSTALLATION (THRUST BLOCKED)

CALL BEFORE YOU DIG!
 ONE CALL: (800) 332-2344
 OAR 952-001-0010 THROUGH
 OAR 952-001-0090

i.e. ENGINEERING
 505 SE Main Street
 Roseburg, Oregon 97470
 PHONE (541) 673-0166
 FAX (541) 440-9392
 iemail@ieengineering.com



Rev.	Date	Dwg	Description
1	11/22/05	ANV	AGENCY REVIEW
2	2/10/06	BWC	RE-ALIGN RD, MOVE UTILITIES
4	11/10/06	ANV	AS-BUILTS

BUNTING COURT SUBDIVISION	
Title:	
STANDARD DETAILS	
DES JPM	PROJECT NO. 973-14
DWG BWC	DATE: OCTOBER 06, 2005
CHK SNL	SCALE: NONE
APP SNL	SHEET: 5 OF 8

R375MDT1