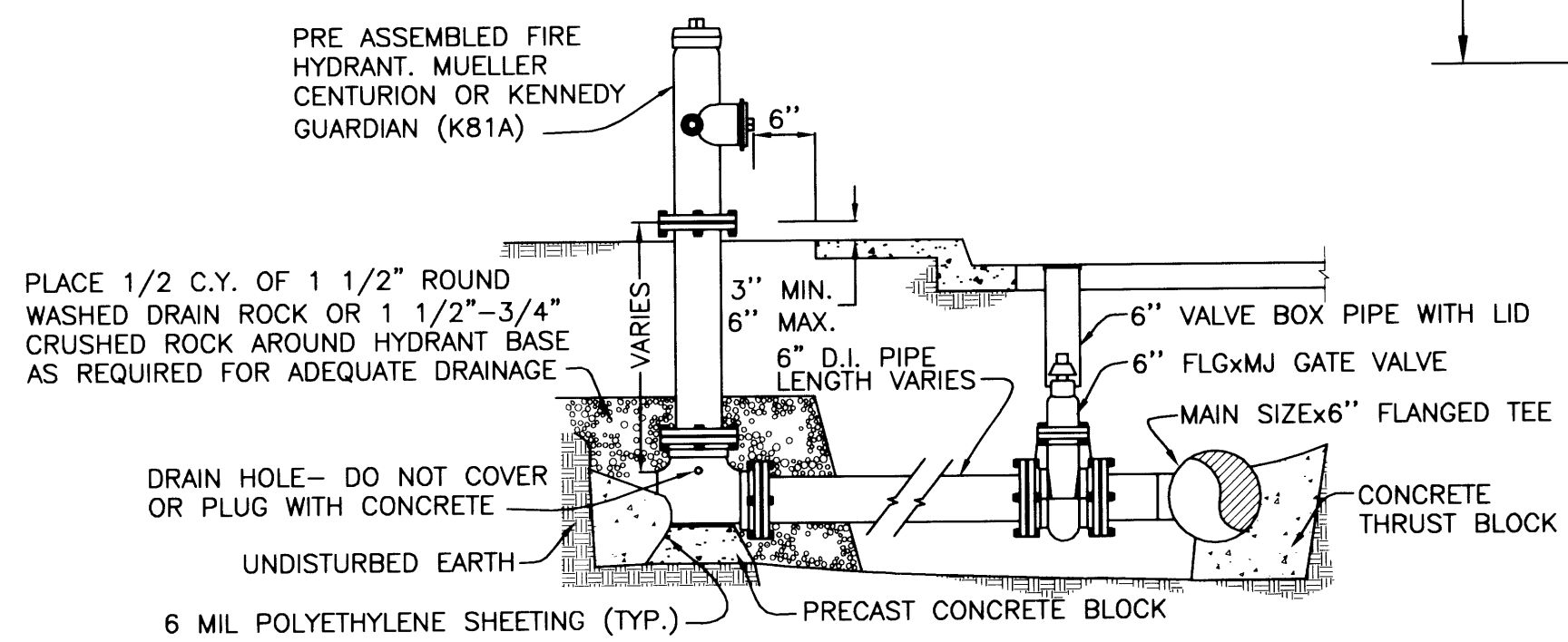
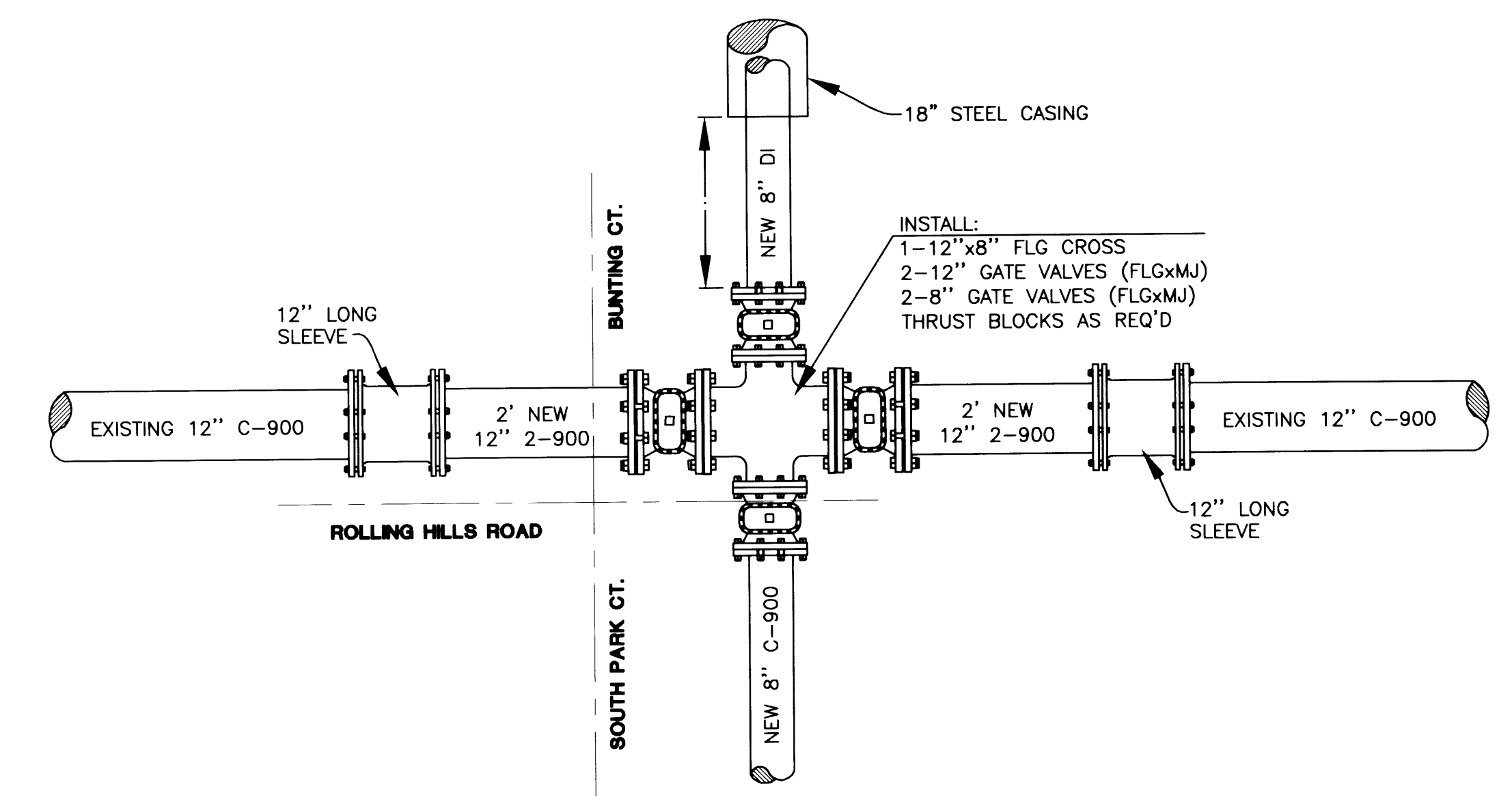


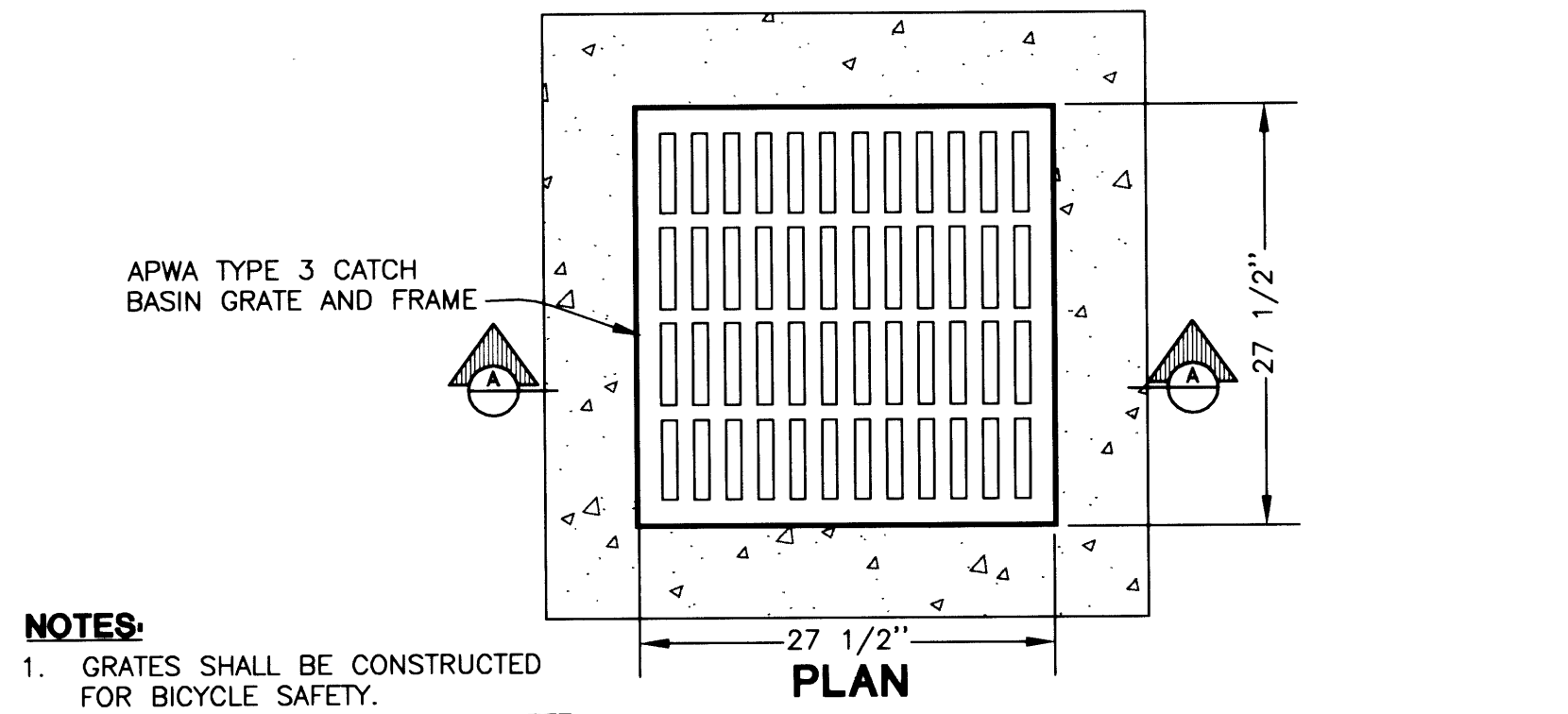
TYPICAL WATER MAINLINE TRENCH DETAIL



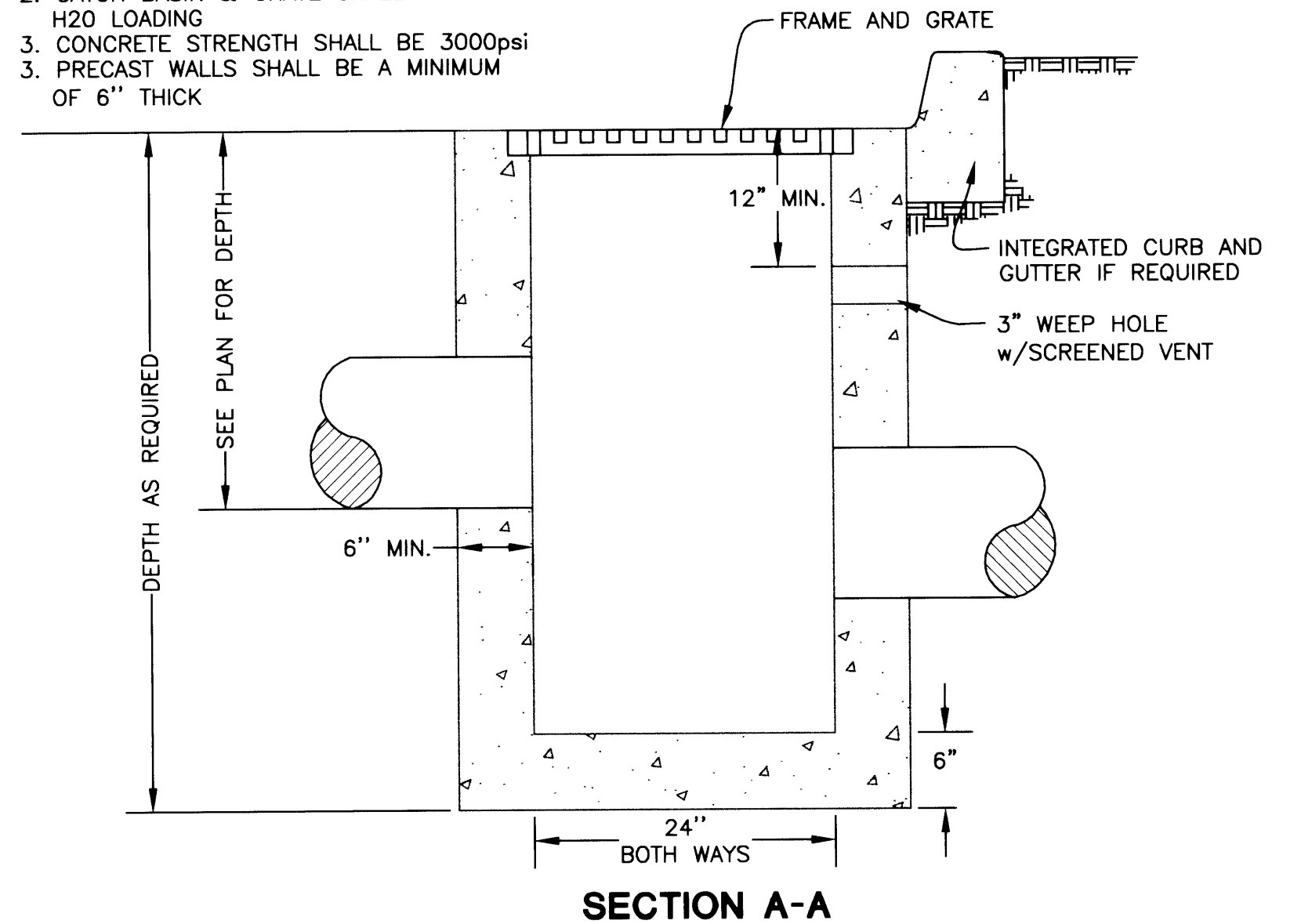
TYPICAL FIRE HYDRANT INSTALLATION (THRUST BLOCKED)



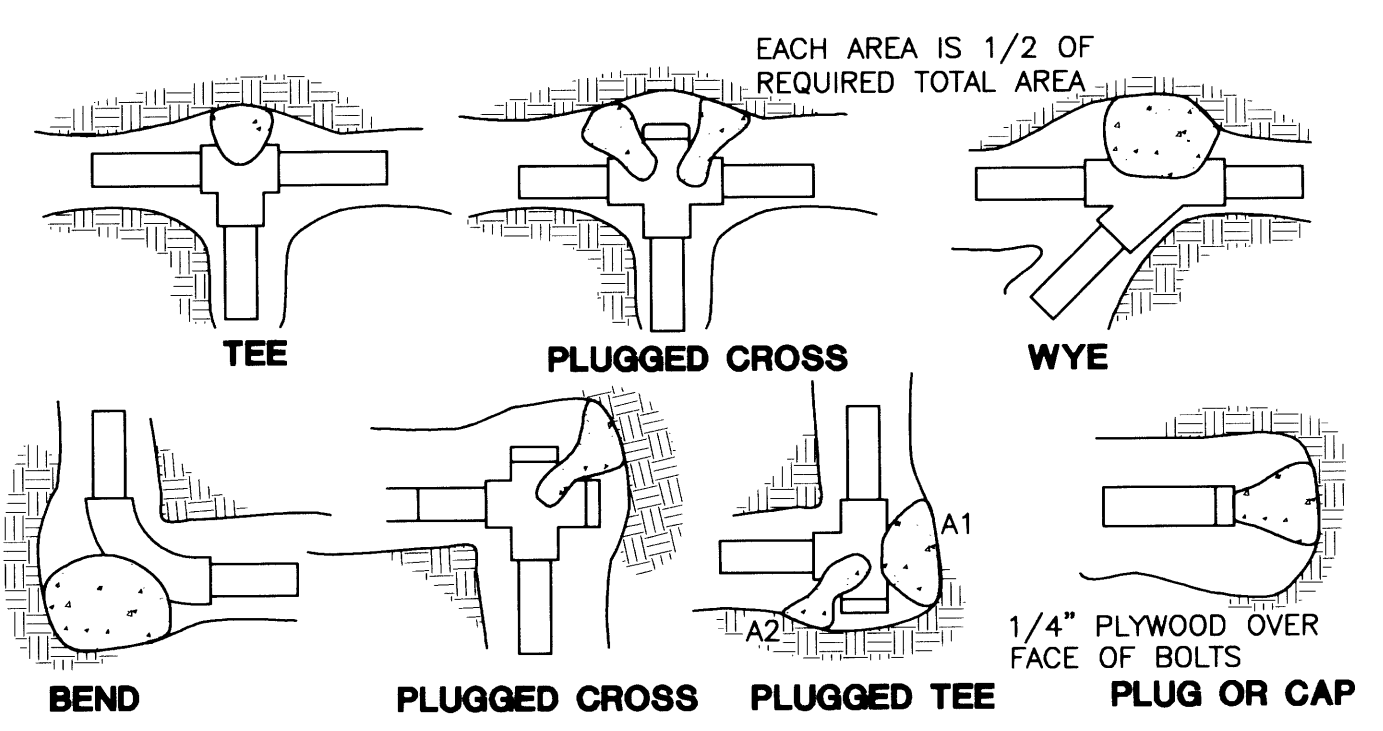
WATER TIE-IN DETAIL



- NOTES:**  
 1. GRATES SHALL BE CONSTRUCTED FOR BICYCLE SAFETY.  
 2. CATCH BASIN & GRATE SHALL MEET H2O LOADING  
 3. CONCRETE STRENGTH SHALL BE 3000psi  
 3. PRECAST WALLS SHALL BE A MINIMUM OF 6" THICK



CATCH BASIN / AREA DRAIN

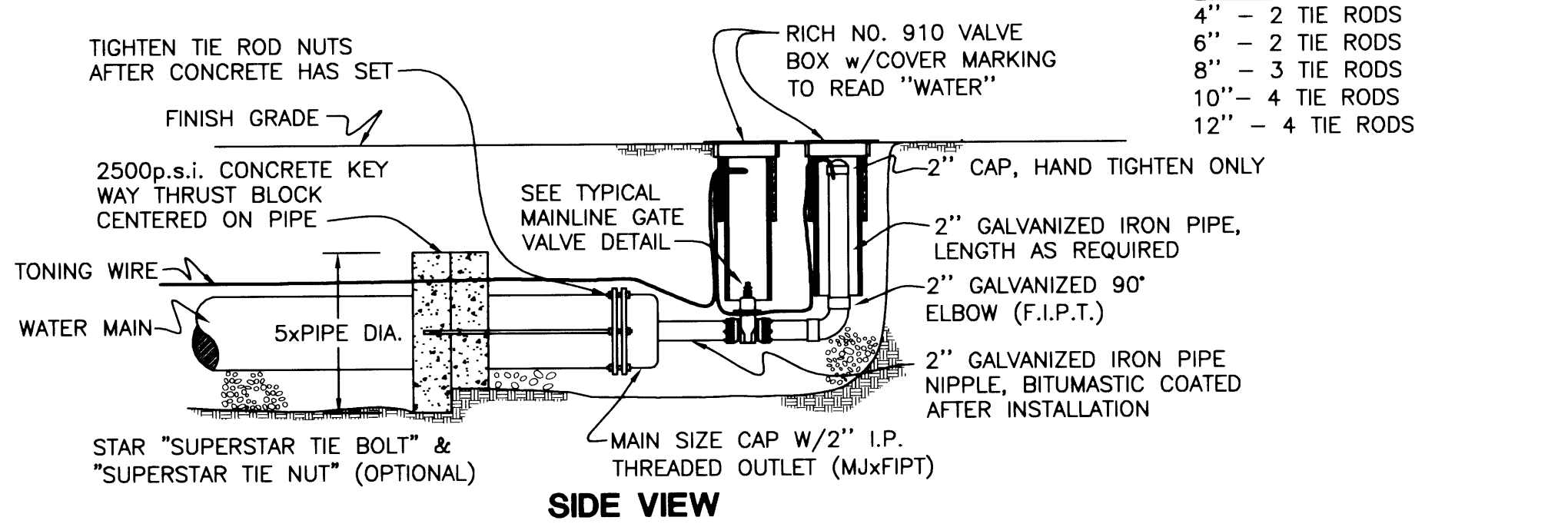
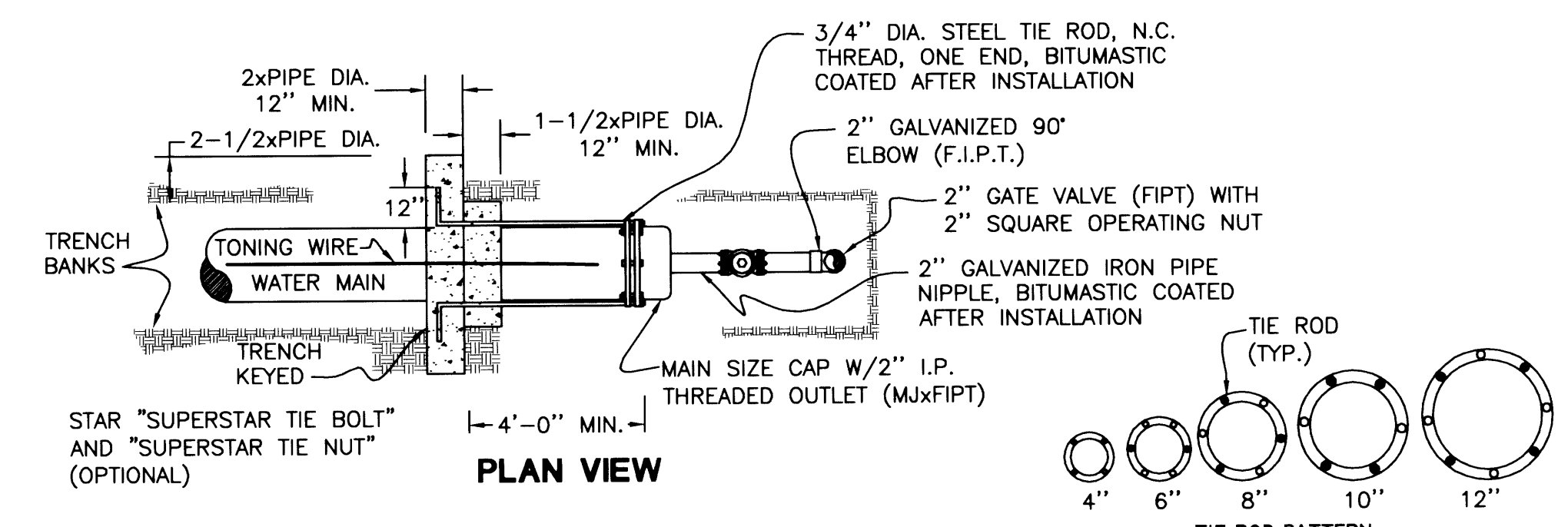


FITTING SIZE	TEE, WYE, PLUG OR CROSS	90° BEND PLUGGED CROSS	TEE PLUGGED ON RUN A1	A2	45° BEND	22 1/2° BEND	11 1/4° BEND
2	0.2	0.4	0.6	0.4	0.2	--	--
3	0.5	0.8	1.2	0.8	0.5	0.2	--
4	1.0	1.4	1.9	1.4	1.0	0.4	0.2
6	2.1	3.0	4.3	3.0	1.6	1.0	0.5
8	3.8	5.3	7.6	5.4	2.9	1.5	1.0
10	5.9	8.4	11.8	8.4	4.6	2.4	1.2
12	8.5	12.0	17.0	12.0	6.6	3.4	1.7
14	11.5	16.3	23.0	16.3	8.9	4.6	2.3
16	15.0	21.3	30.0	21.3	11.6	6.0	3.0
18	19.0	27.0	38.0	27.0	14.6	7.6	3.8
20	23.5	33.3	47.0	33.3	18.1	9.4	4.7
24	34.0	48.0	68.0	48.0	26.2	13.6	6.8

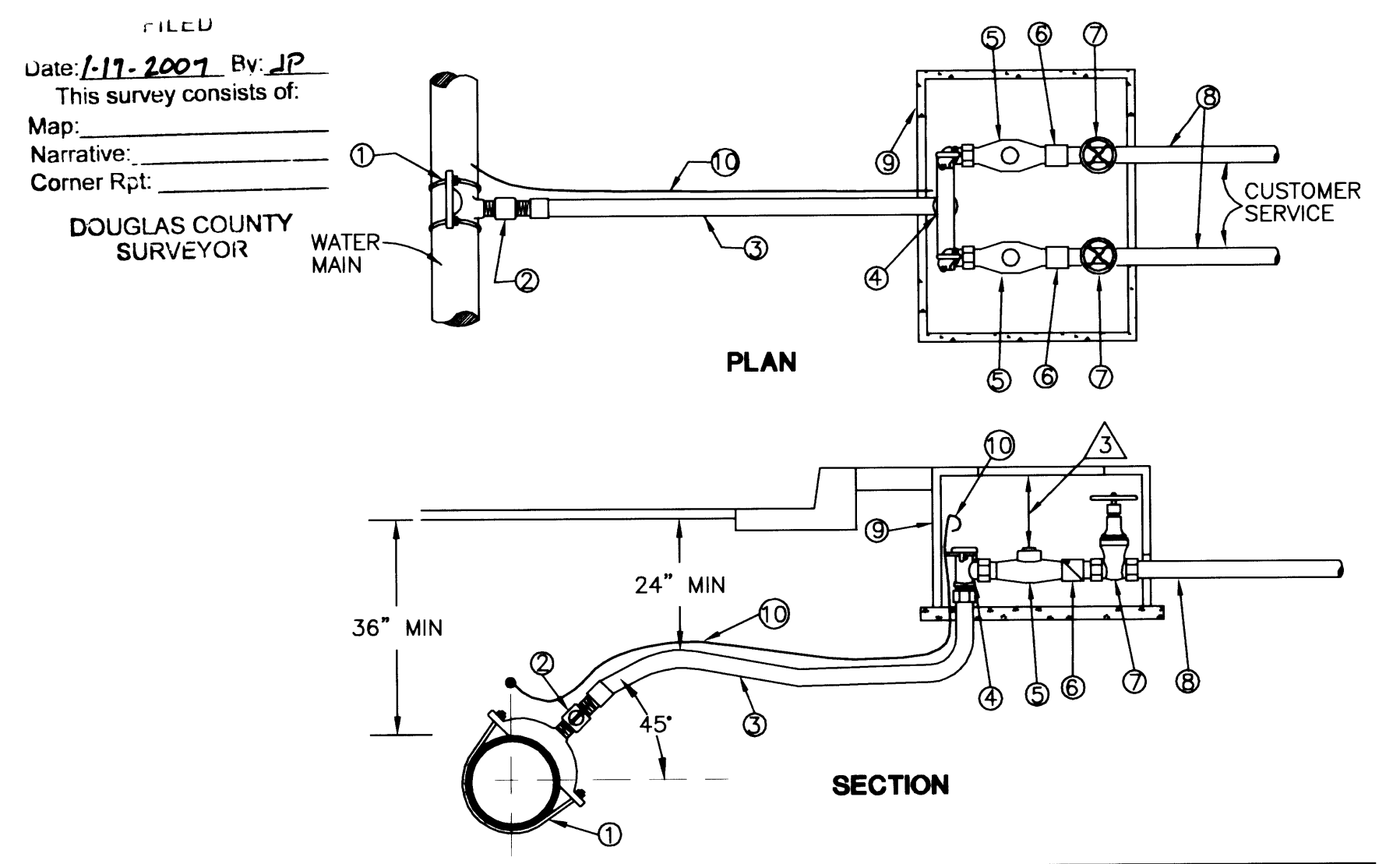
NOTE: ABOVE BEARING AREAS BASED ON TEST PRESSURE OF 150 p.s.i. AND AN ALLOWABLE SOIL BEARING STRESS OF 2,000 LBS. PER SQUARE FOOT. TO COMPUTE BEARING AREAS FOR DIFFERENT TEST PRESSURES AND SOIL BEARING STRESSES, USE THE FOLLOWING EQUATION: BEARING AREA = (TEST PRESSURE/150) x (2000/SOIL BEARING STRESS) x (TABLE VALUE)

- NOTES:**  
 1. CONCRETE THRUST BLOCKING TO BE POURED AGAINST UNDISTURBED EARTH.  
 2. KEEP CONCRETE CLEAR OF JOINT AND ACCESSORIES.  
 3. THE REQUIRED THRUST BEARING AREAS FOR SPECIAL CONNECTIONS ARE SHOWN ENCIRCLED ON THE PLANS, e.g. (19) INDICATES 15 SQUARE FEET BEARING AREA REQUIRED.  
 4. IF NOT SHOWN ON PLANS REQUIRED BEARING AREAS AT FITTING SHALL BE AS INDICATED ABOVE, ADJUSTED IF NECESSARY, TO CONFORM TO THE TEST PRESSURE(S) AND ALLOWABLE SOIL BEARING STRESS(ES) STATED IN THE SPECIAL SPECIFICATIONS.  
 5. BEARING AREAS AND SPECIAL BLOCKING DETAILS SHOWN ON PLANS. TAKE PRECEDENCE OVER BEARING AREAS AND BLOCKING DETAILS SHOWN ON THIS STANDARD DETAIL.

THRUST BLOCK DETAILS AND INFORMATION NO SCALE



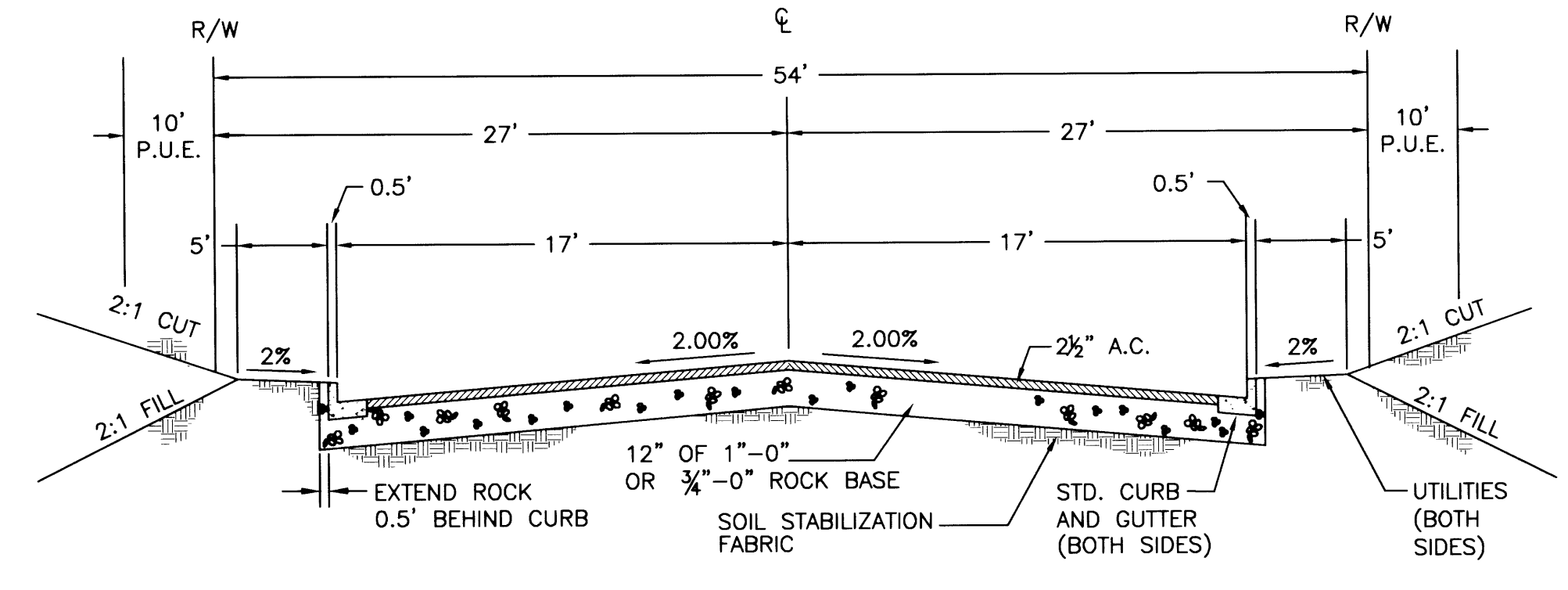
TYPICAL 2" BLOWOFF ASSEMBLY DETAIL



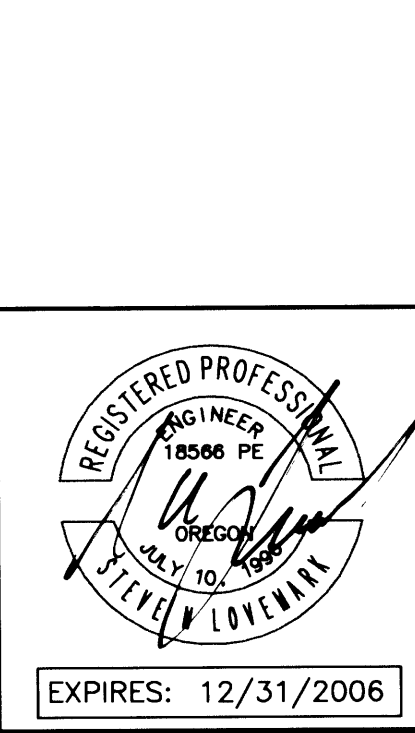
ITEM NO.	SIZE	DESCRIPTION	TYPE	QTY.
1	AS REQ'D	SERVICE SADDLE	FORD, BRASS S-91	1
2	1"	CORP. STOP	FORD, F-1100-G	1
3	1"	SERVICE PIPE	200 PSI HI MOLY POLYETHYLENE CTS PIPE	AS REQ'D
4	1"	BRANCH VALVE ASSEMBLY	FORD, UV-43-32, 14" WIDTH	1
5	5/8"x3/4"	METER	NEPTUNE T-10 GALLONS READER	2
6	3/4"	DOUBLE CHECK VALVE	AS REQUIRED	2
7	3/4"	CUSTOMER VALVE	METER ADAPTER w/ 3/4" GATE VALVE	2
8	-	CUSTOMER SERVICE	PER STATE PLUMBING CODE (RECONNECT TO EXISTING CUSTOMER SERVICE)	-
9	-	METER BOX	PLASTIC	1
10	NO. 12	TONE WIRE	ELECTRICAL THNN SOLID COPPER WIRE, COIL 12" IN METER BOX	AS REQ'D

- △ OR APPROVED EQUAL. SEE GENERAL SPECIFICATIONS.  
 △ TYPE AS APPROVED BY MANUFACTURER FOR WATER MAIN TYPE & SIZE.  
 △ TOP OF METER SHALL BE 4" TO 6" BELOW BOTTOM OF LID.

TYPICAL DUAL 5/8"x3/4" METER INSTALLATION ASSEMBLY



TYPICAL STREET SECTION



Rev.	Date	Dwg	Description
1	6/23/06	JDL	AS-BUILT

**i.e. ENGINEERING**  
 741 SE Jackson Street  
 Roseburg, Oregon 97470  
 PHONE (541) 673-0166  
 FAX (541) 440-9392  
 Email: ie@mail@ieengineering.com

Project Name: SOUTH PARK SUBDIVISION

Title: DETAILS

DES JPM PROJECT NO. 106-04  
 DWG ANV DATE: MARCH 21, 2005  
 CHK SNL SCALE: NONE  
 APP SNL SHEET: 5 OF 8

Co. Rd. # 375L

CO. RD. #375L DETAILS

R375D11

DO NOT DUPLICATE