

Sec. 10, T. 28S., R. 6 W.W.M.

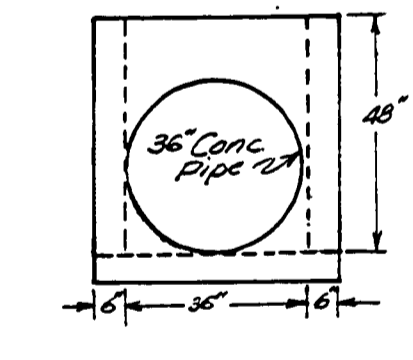
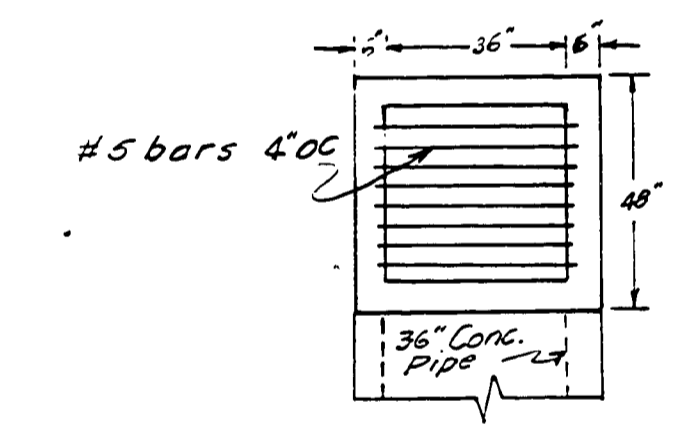
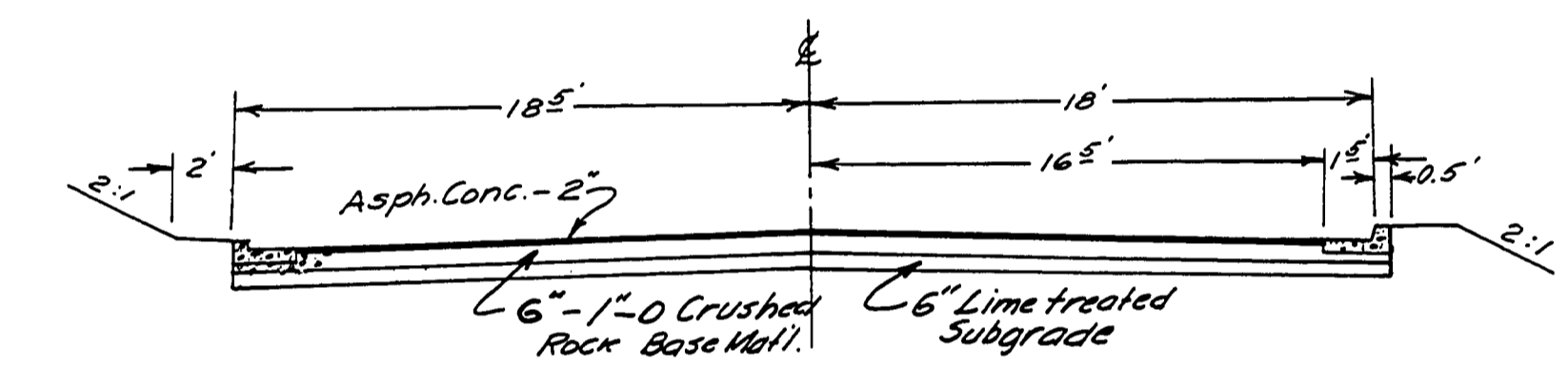
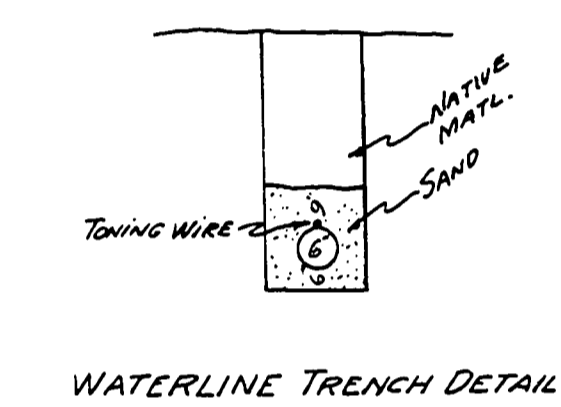
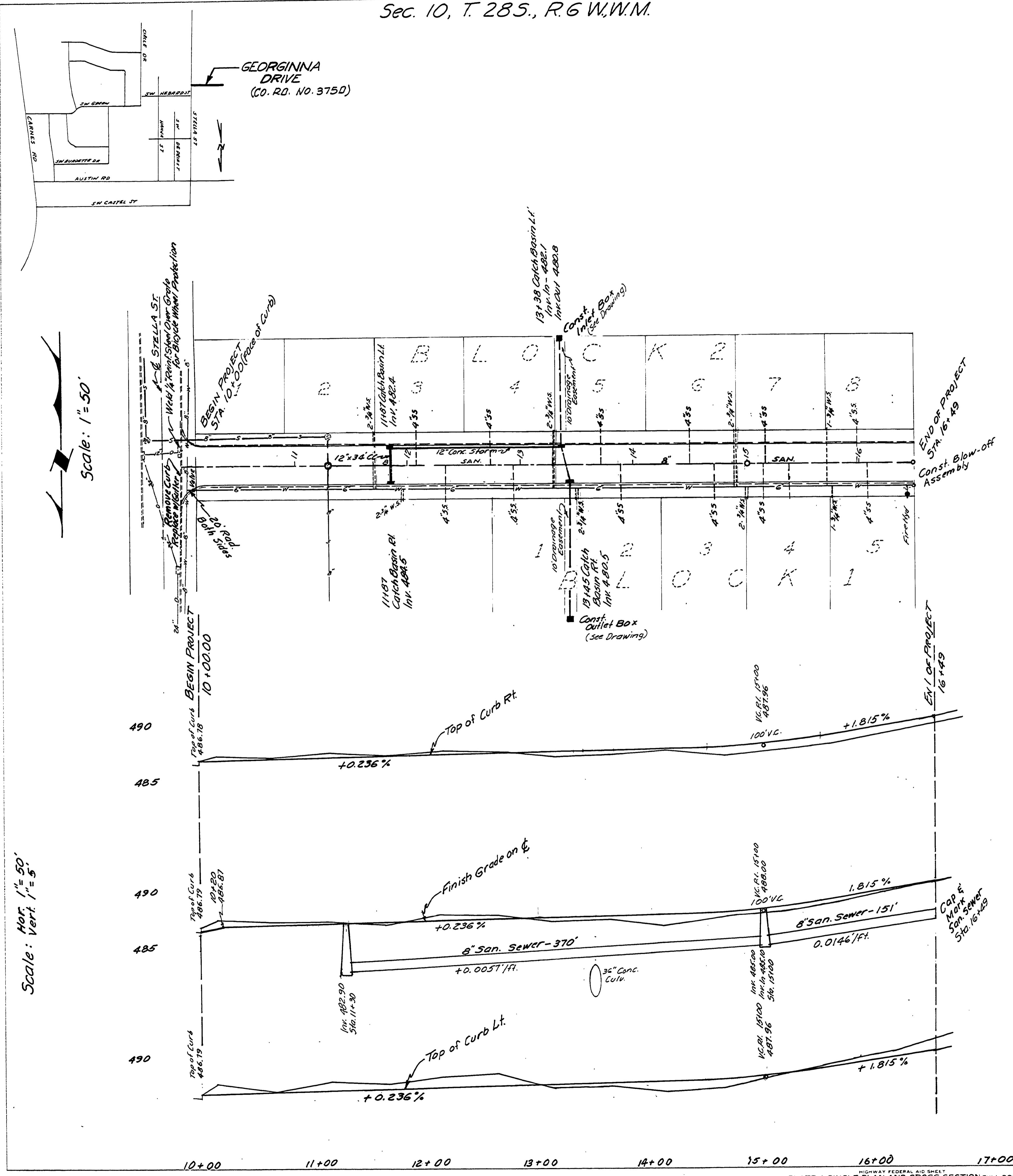
"AS CONSTRUCTED" PLAN

I, George E. Grubb, do hereby certify that this project has been constructed in substantial conformance to the plans & specifications.
 Sept. 16, 1986

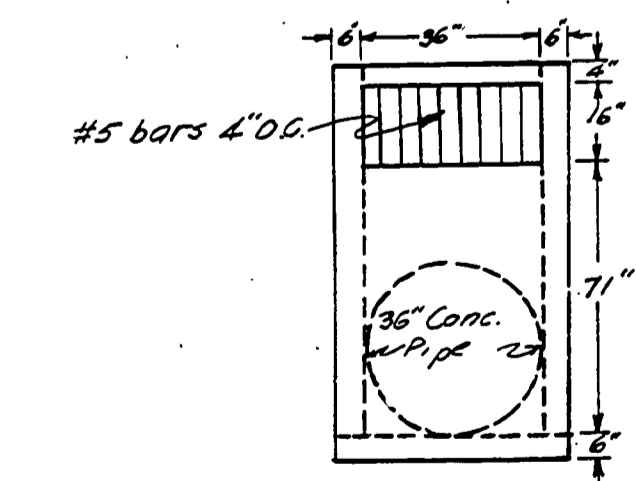
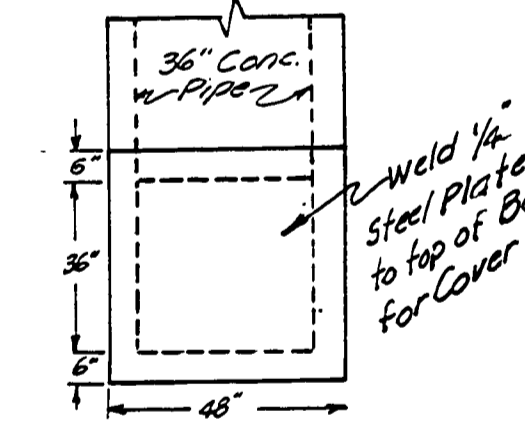
FILED
 AUG 10 1987
 COUNTY SURVEYOR
 JOUGLAS COUNTY, OR.

FINAL SURVEY
 DATE: 11/11/86
 BY: G.E.G.
 PROJECT: STORM DRAINAGE

ORIGINAL SURVEY
 DATE: 11/11/86
 BY: G.E.G.
 PROJECT: STORM DRAINAGE



INLET BOX



OUTLET BOX

STREET IMPROVEMENTS
 STORM DRAINAGE
 GEORGINNA DRIVE (CO. RD. NO. 375D)
 IN
 CURRIE - KEELER TRACTS
 By
 George E. Grubb, P.E.
 3047 Doerner Rd.
 Roseburg, OR 97470
 Tel. 503-673-8830



HIGHWAY FEDERAL AID SHEET
 PLATE 4-SINGLE PLAN AND CROSS SECTION-FULL DOT
 PRINTED IN U.S.A.

no longer a Co. Rd.
 #375D 1986

RD375DST