

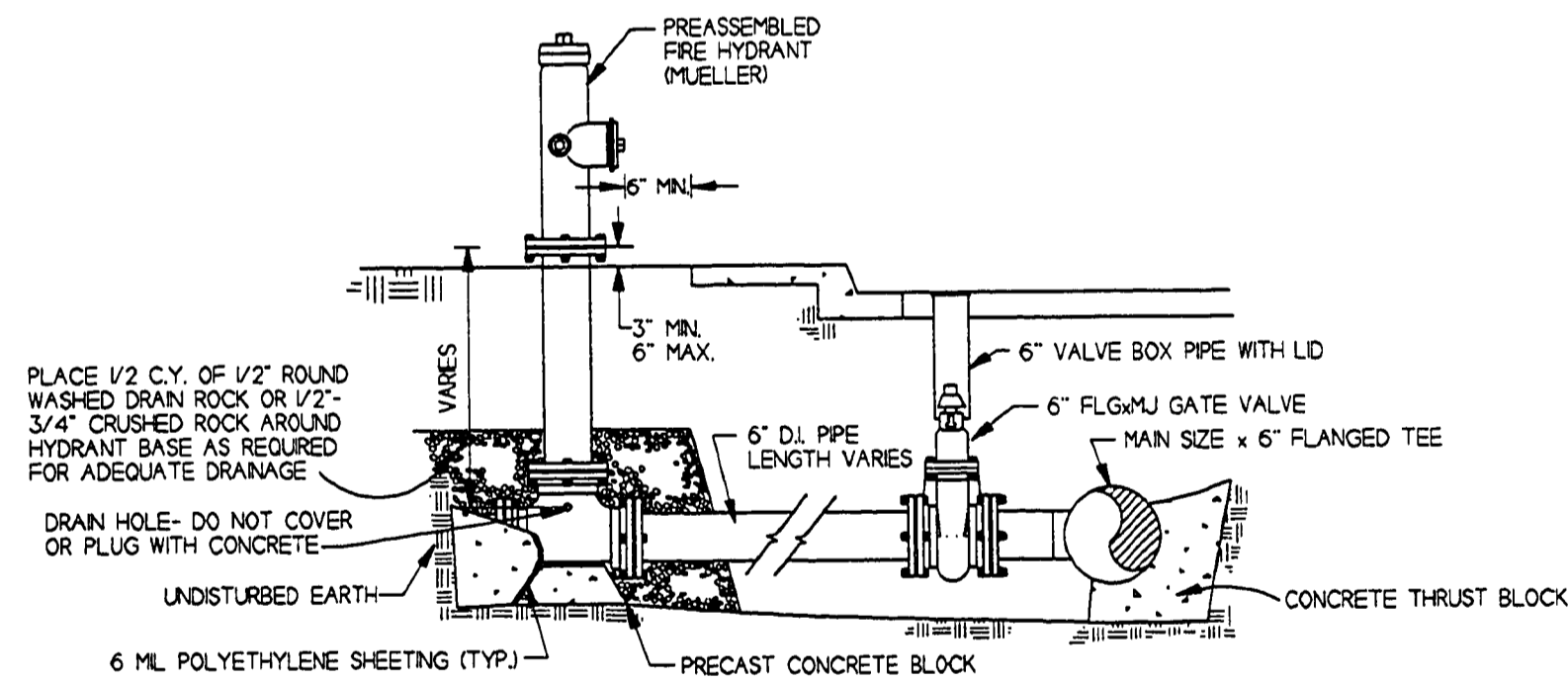
FITTING SIZE	TEE WYE PLUG OR CROSS	90° BEND PLUGGED CROSS	TEE PLUGGED ON R/W	45° BEND	22 1/2° BEND	1 1/4° BEND
2	0.2	0.4	0.6	0.4	0.2	..
3	0.5	0.8	1.2	0.8	0.5	..
4	1.0	1.4	1.9	1.4	1.0	0.2
6	2.1	3.0	4.3	3.0	2.1	0.5
8	3.8	5.3	7.6	5.4	3.8	1.0
10	5.9	8.4	11.8	8.4	5.9	1.2
12	8.5	12.0	17.0	12.0	8.5	1.7
14	11.5	16.3	23.0	16.3	11.5	2.3
16	15.0	21.0	30.0	21.0	15.0	3.0
18	19.0	27.0	38.0	27.0	19.0	3.8
20	23.5	33.3	47.0	33.3	23.5	4.7
24	34.0	48.0	68.0	48.0	34.0	6.8

NOTE: ABOVE BEARING AREAS BASED ON TEST PRESSURE OF 150 P.S.I. AND AN ALLOWABLE SOIL BEARING STRESS OF 2000 LB. PER SQUARE FOOT. TO COMPUTE BEARING AREAS FOR DIFFERENT TEST PRESSURES AND SOIL BEARING STRESSES, USE THE FOLLOWING EQUATION: BEARING AREA = (TEST PRESSURE/150) x (2000/SOIL BEARING STRESS) x (TABLE VALUE)

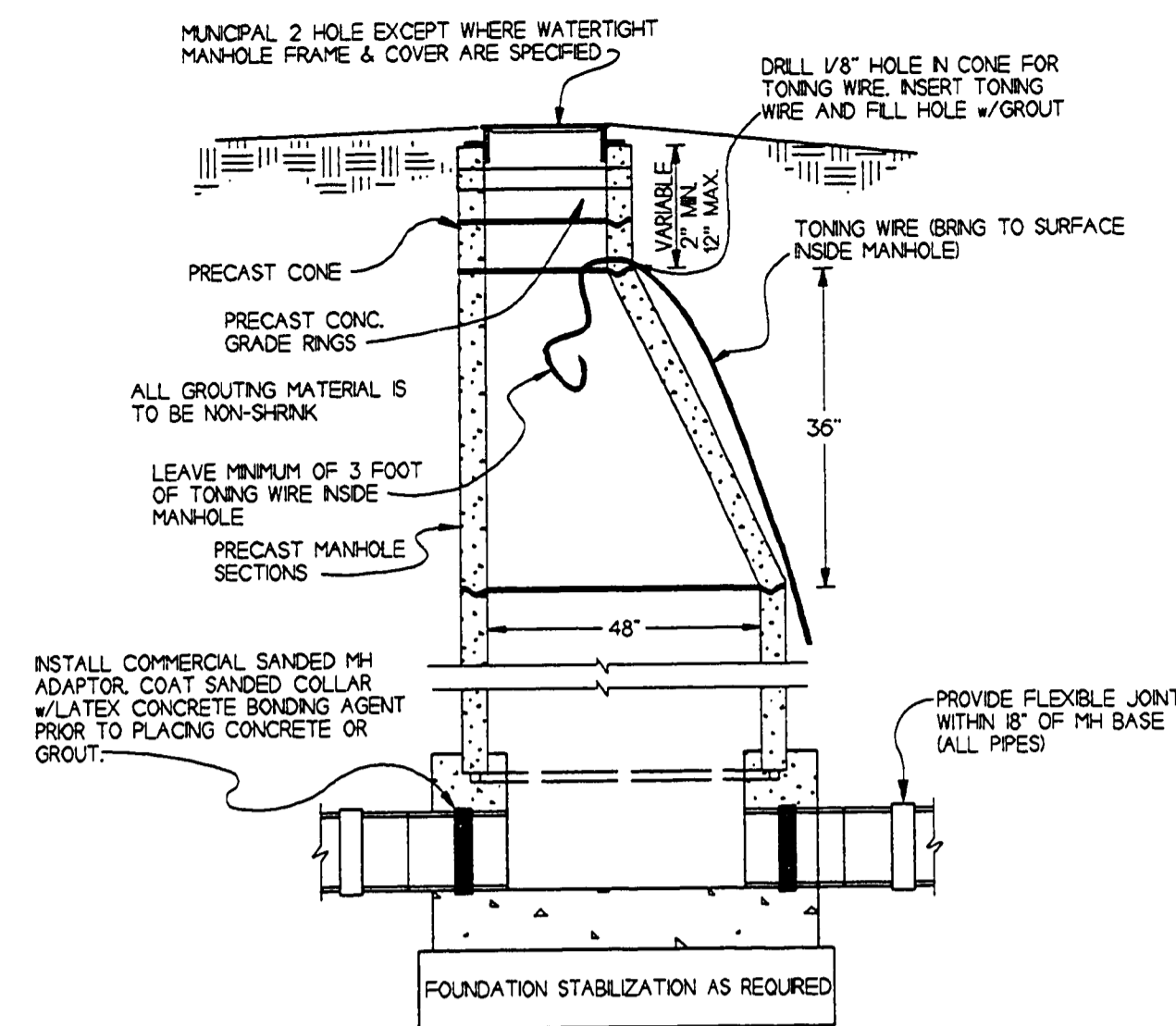
NOTES:

1. CONCRETE THRUST BLOCKING TO BE POURED AGAINST UNDISTURBED EARTH.
2. KEEP CONCRETE CLEAR OF JOINT AND ACCESSORIES.
3. THE REQUIRED THRUST BEARING AREAS FOR SPECIAL CONNECTIONS ARE SHOWN ENCLOSED ON THE PLANS. #5 @ INDICATES 15 SQUARE FEET BEARING AREA REQUIRED.
4. IF NOT SHOWN ON PLANS REQUIRED BEARING AREAS AT FITTING SHALL BE AS INDICATED BELOW, ADJUSTED IF NECESSARY TO CONFORM TO THE TEST PRESSURES AND ALLOWABLE SOIL BEARING STRESSES STATED IN THE SPECIAL SPECIFICATIONS. BEARING AREAS AND SPECIAL BLOCKING DETAILS SHOWN ON PLANS TAKE PRECEDENCE OVER BEARING AREAS AND BLOCKING DETAILS SHOWN ON THIS STANDARD DETAIL.

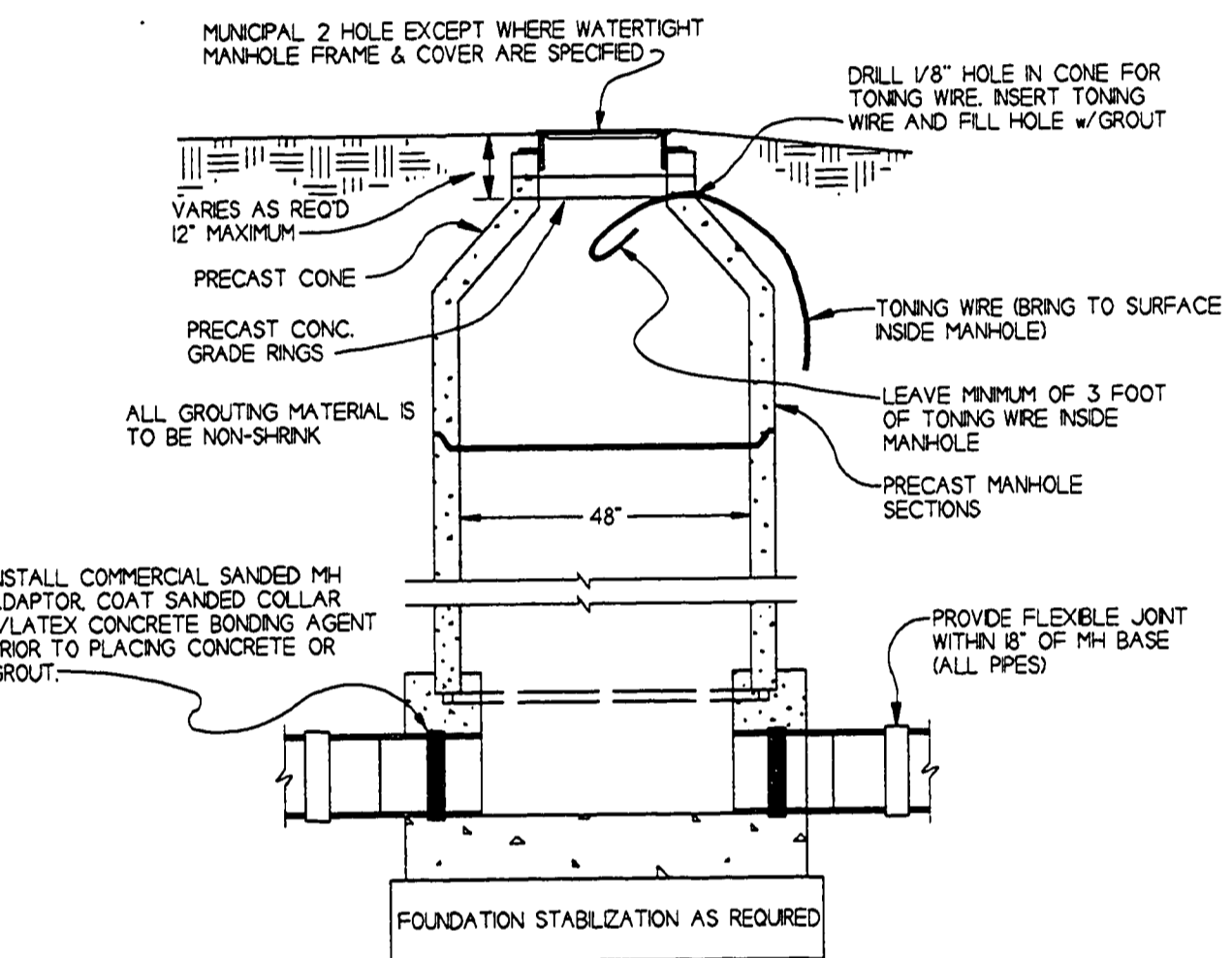
THRUST BLOCK DETAILS AND INFORMATION
NO SCALE



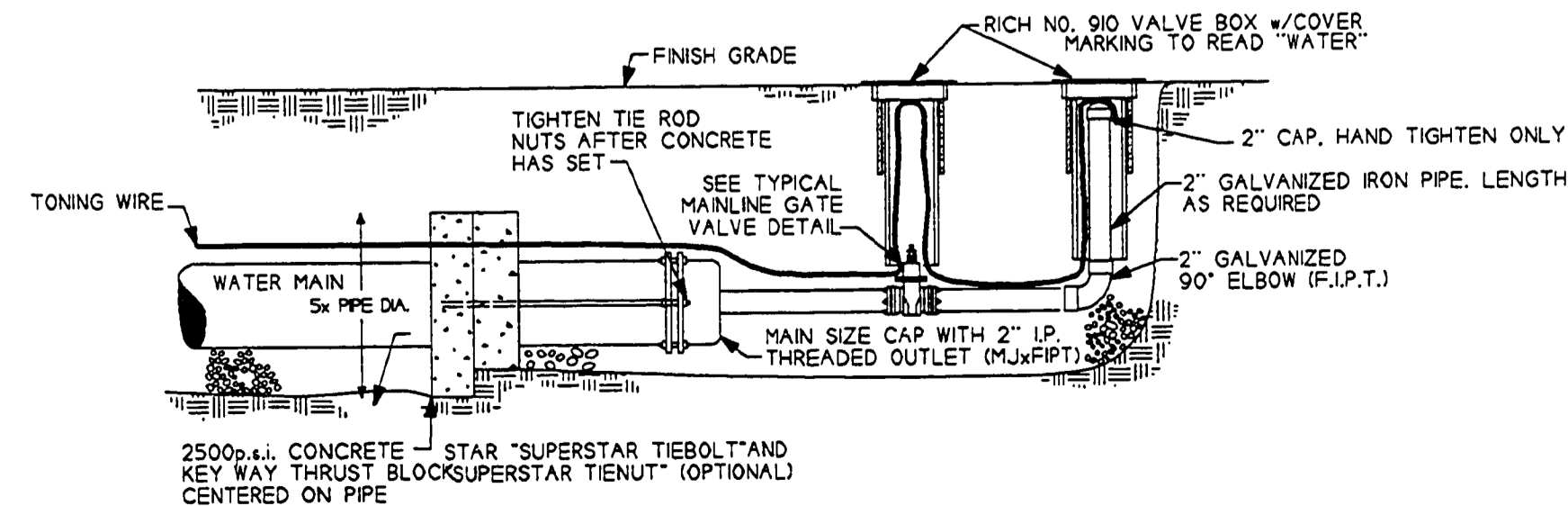
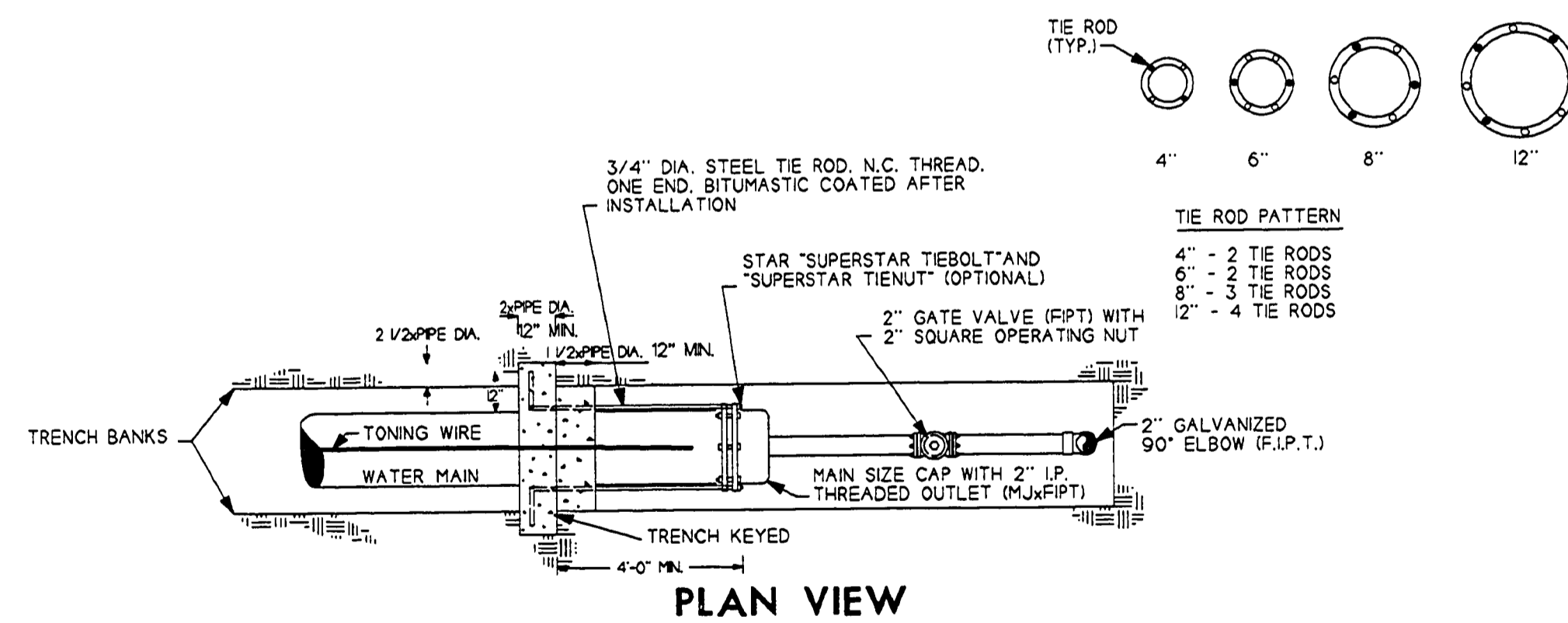
TYPICAL FIRE HYDRANT INSTALLATION
(THRUST BLOCKED)



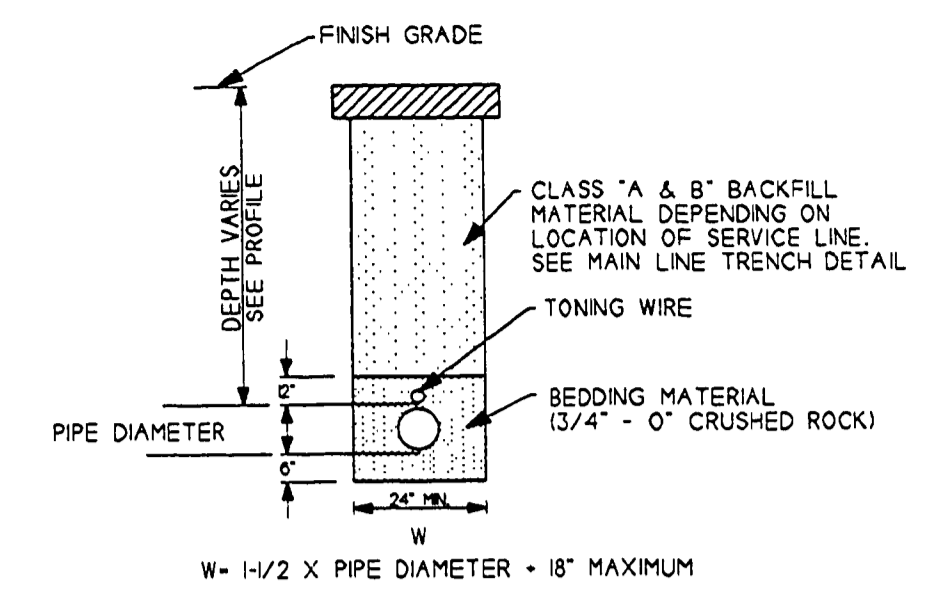
TYPICAL ECCENTRIC SANITARY MANHOLE DETAIL



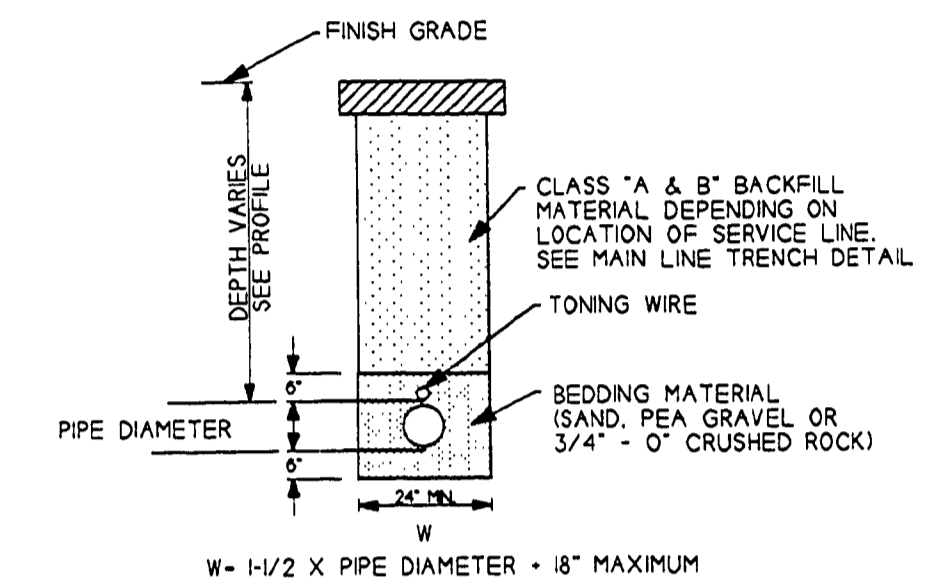
TYPICAL CONCENTRIC SANITARY MANHOLE DETAIL



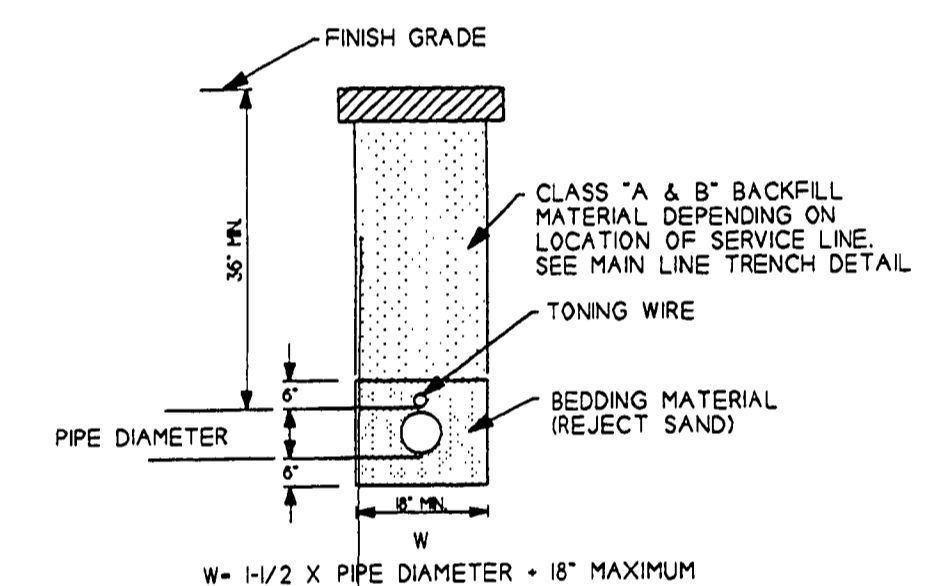
TYPICAL 2" BLOWOFF ASSEMBLY DETAIL



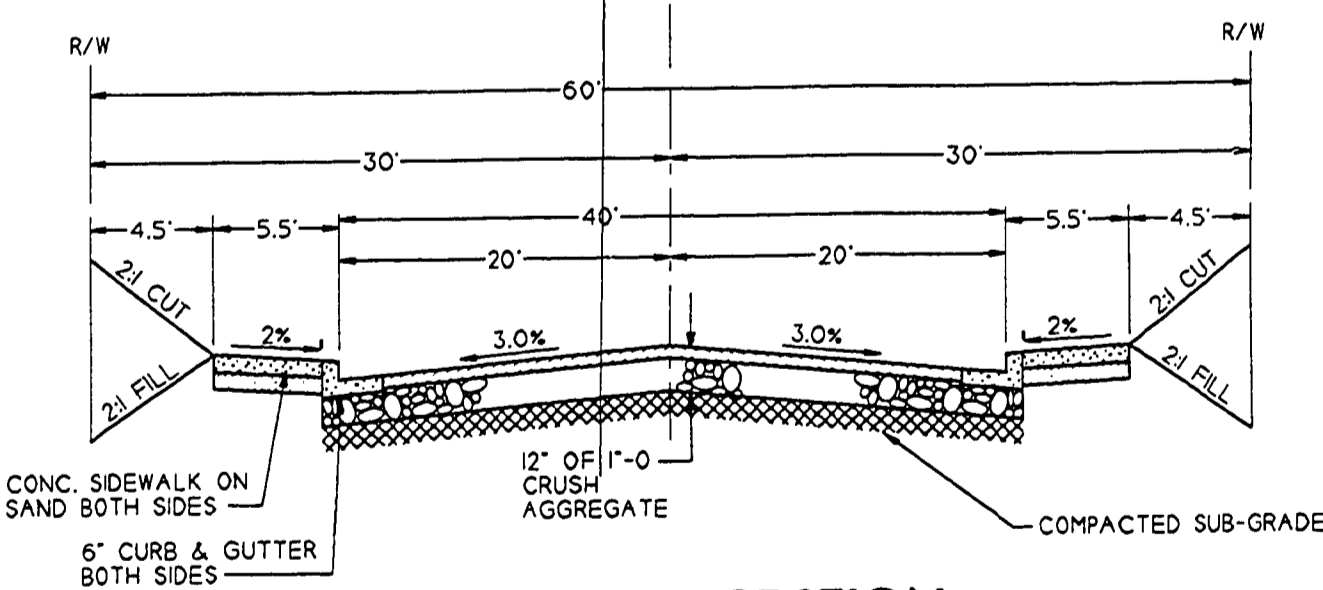
TYPICAL SEWER MAINLINE TRENCH DETAIL



TYPICAL STORM SEWER TRENCH DETAIL



TYPICAL WATER MAINLINE TRENCH DETAIL



TYPICAL SECTION

FILED
Date: 2-3-97 By: J.P.
This survey consists of:
Map:
Compartments:
DODDAS COUNTY SURVEYOR

STAMP MUST BE SEALED
REGISTERED PROFESSIONAL ENGINEER
M. J. DODDAS
JULY 17, 1983
M. E. A. P. R. L. E.
EXPIRES 12/31/96

Rev.	Date	Description
1	7/28/95	CHANGES PER GREEN SANITARY
2	1/17/98	PLAN REVIEW
3	11/26/96	STREET AS-BUILTS

GREEN SANITARY DISTRICT

i.e. 548 S.E. Jackson Suite 3
Roseburg, Oregon 97470
PHONE (503) 673-0166
ENGINEERING FAX (503) 440-9392

Project Name:
HARMONY HILLS
IMPROVEMENT PLANS

Title:	STANDARD DETAILS
DES. OK PROJECT NO. 152-18	
DWG. FLB. DATE: JULY 1995	
CHK. MAP SCALE: NO SCALE	
APP. MAP SHEET: 3 OF 3	

RD366TYP