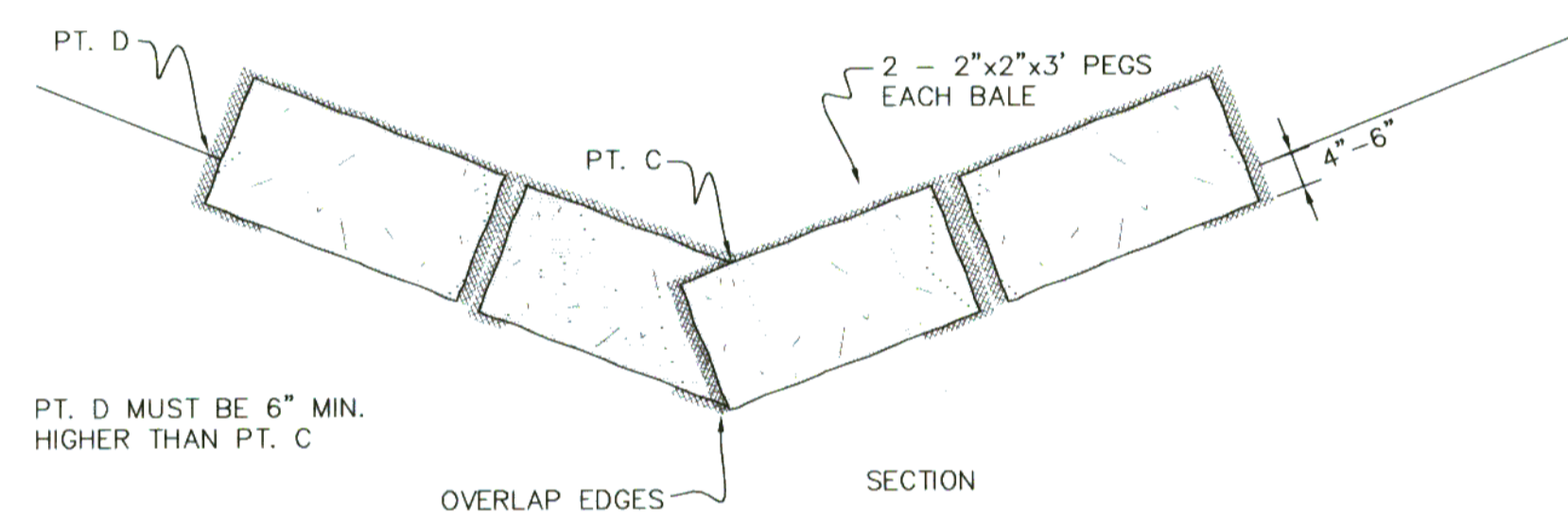
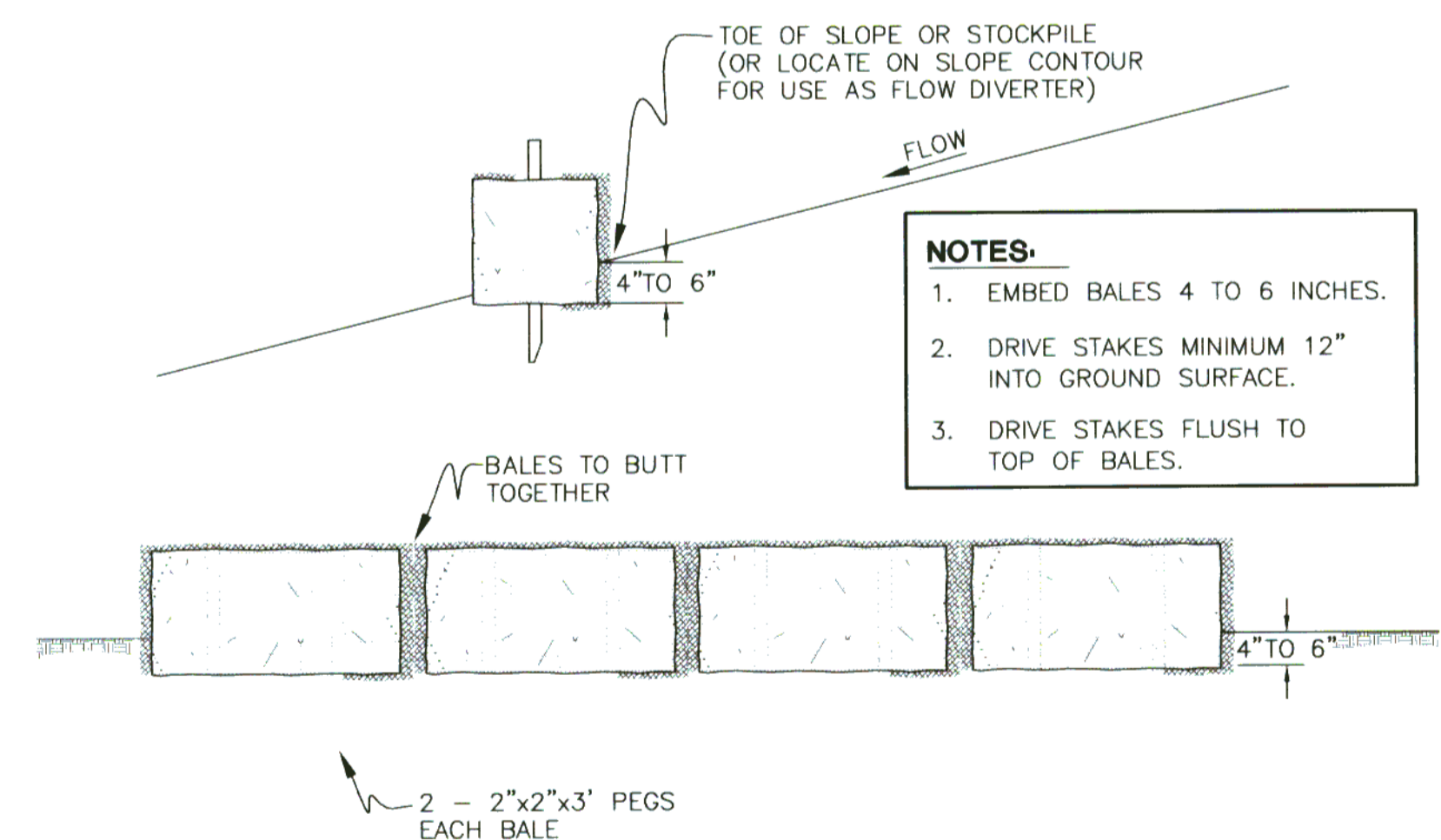


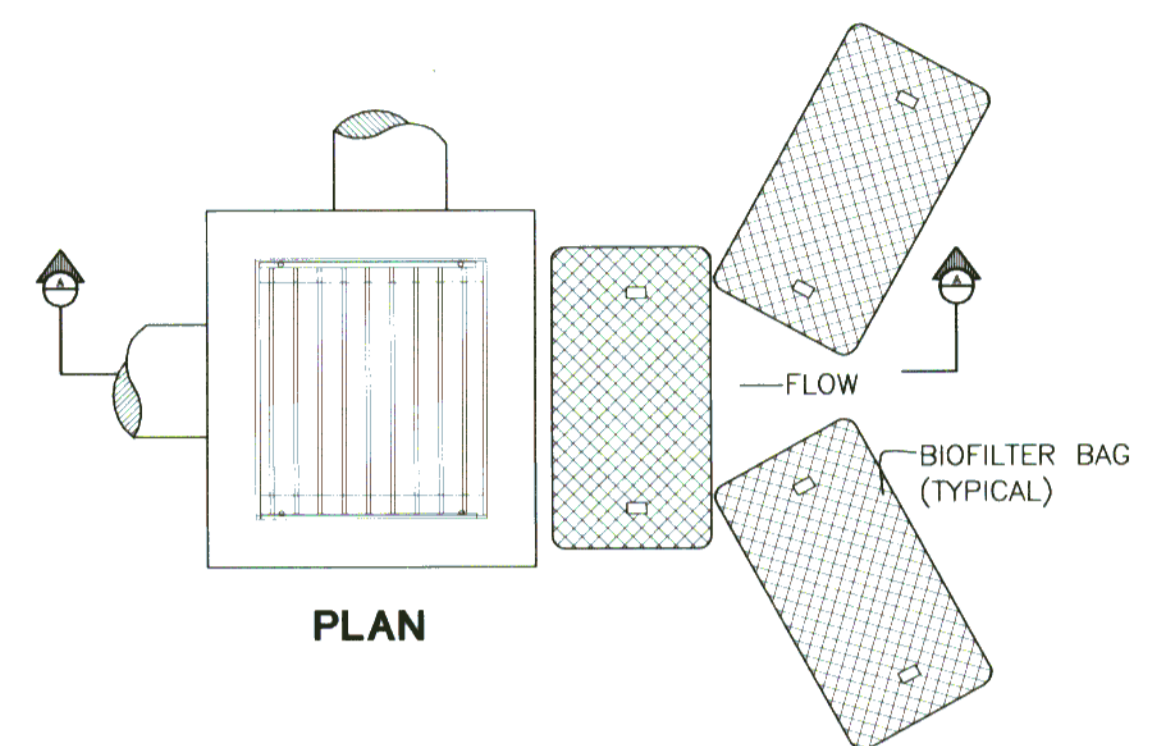
SPACING BETWEEN BARRIERS



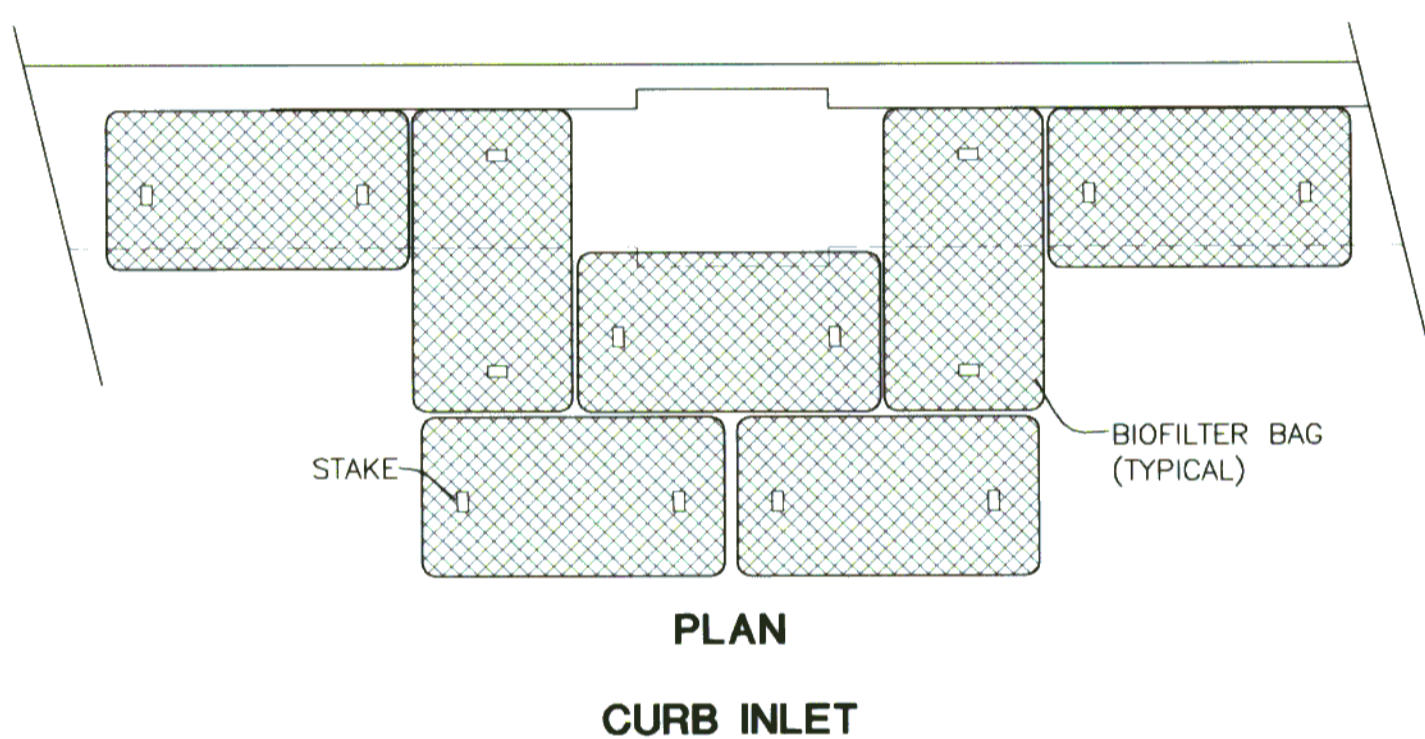
STRAW BALE SEDIMENT BARRIERS IN DITCHES OR SWALES



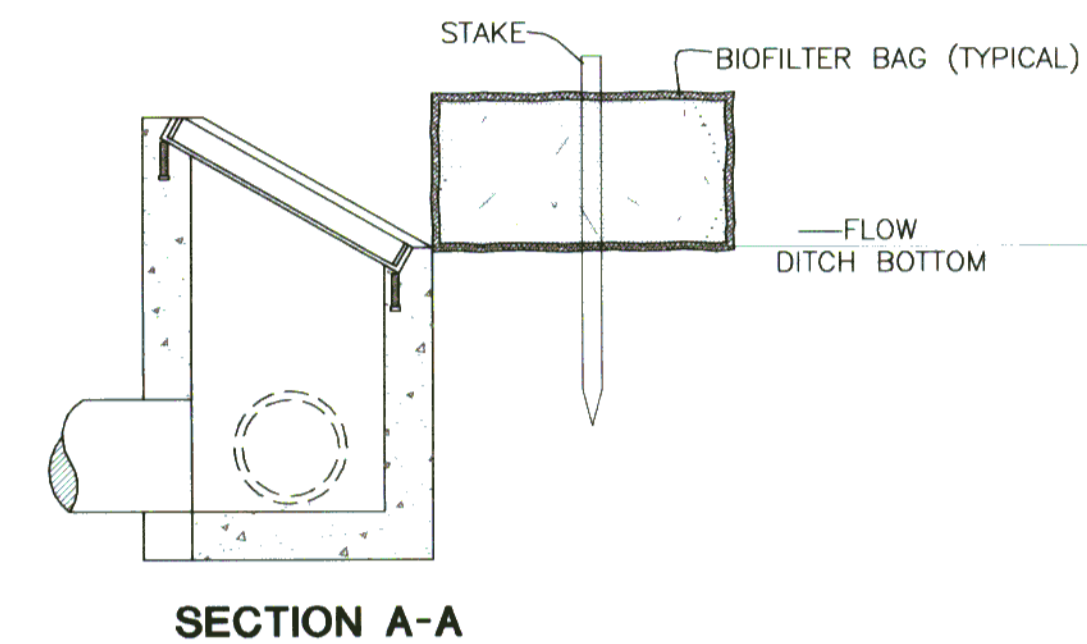
STRAW BALE SEDIMENT BARRIER



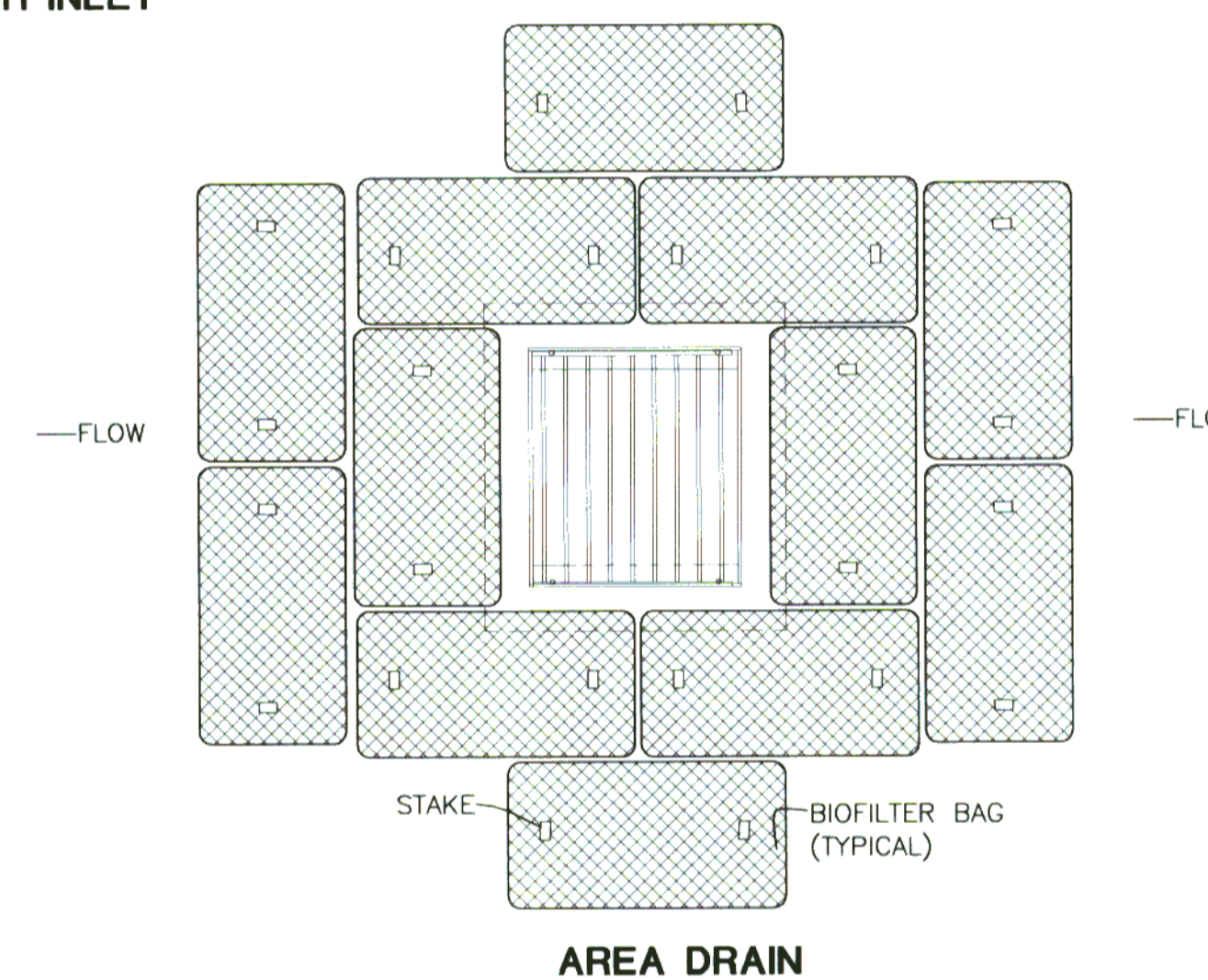
DITCH INLET



CURB INLET

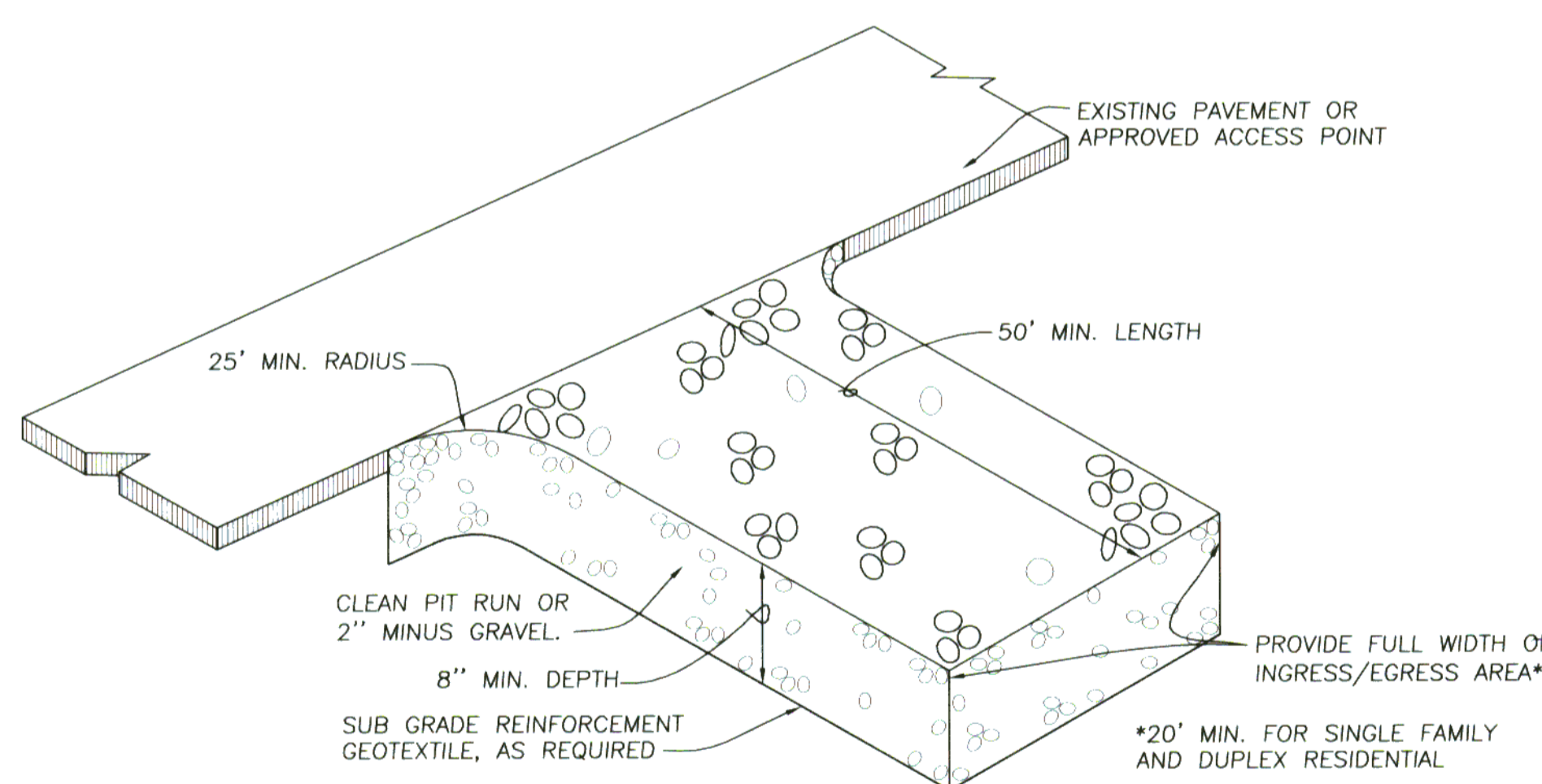


SECTION A-A

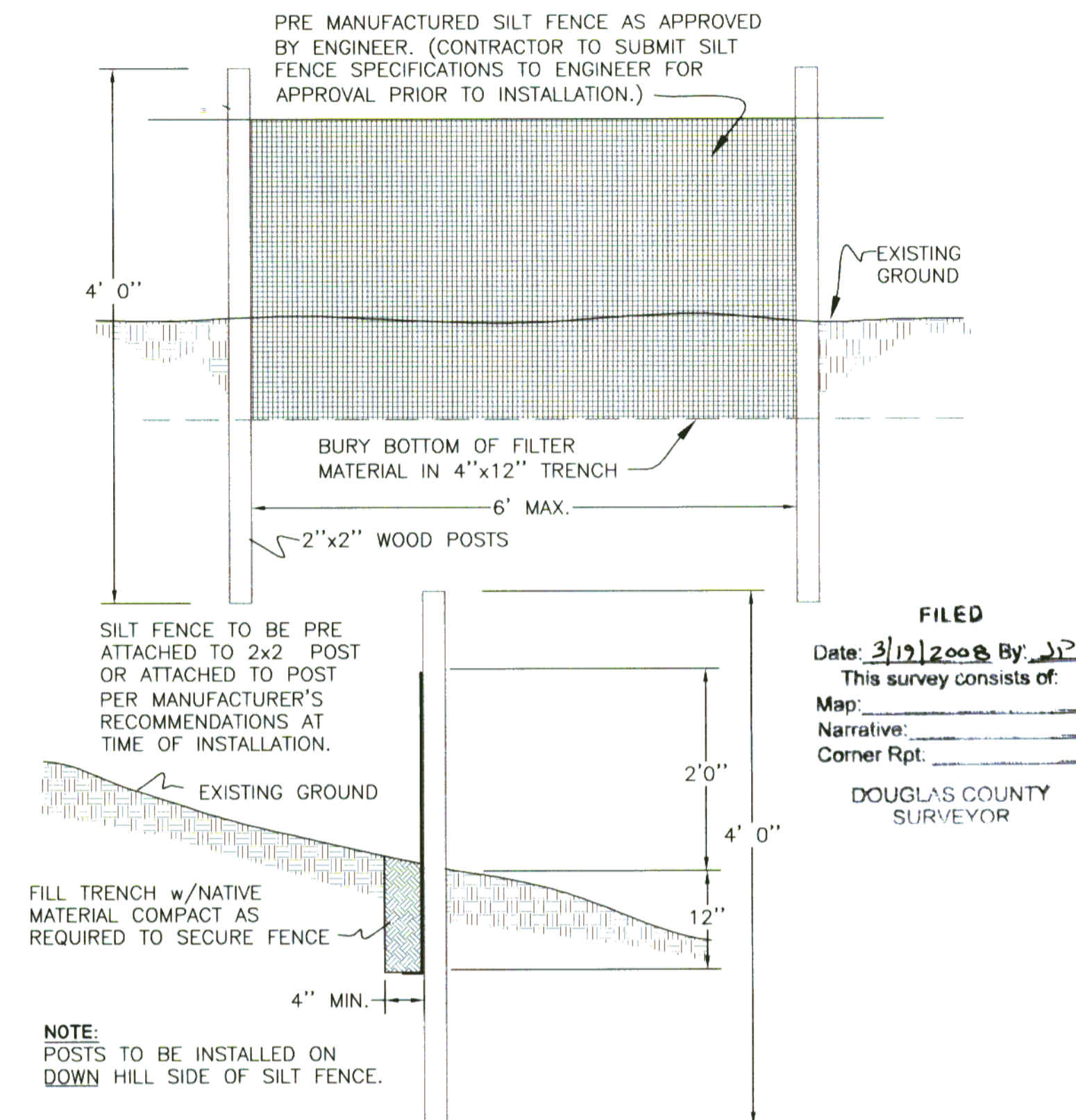


AREA DRAIN

INLET PROTECTION (TYPE 4) BIOFILTER BAGS



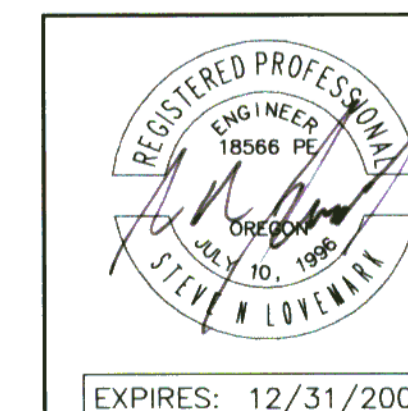
GRAVEL CONSTRUCTION ENTRANCE



SILT FENCE INSTALLATION DETAIL

- GENERAL EROSION CONTROL NOTES**
- CONTRACTOR TO COMPLY WITH ALL PROVISIONS OF THE 1200-C NDPES PERMIT INCLUDING SCHEDULE B FOR MINIMUM MONITORING REQUIREMENTS AND WRITTEN RECORDS. COORDINATE WITH OWNER/PERMIT HOLDER CONCERNING ALL 1200-C REQUIREMENTS.
 - CONSTRUCTION AREAS WITHIN SUBDIVISION BOUNDARIES SHALL BE PROTECTED FROM EROSION.
 - REUSED SPOIL MATERIAL SHALL BE PLACED SO AS NOT TO IMPEDE NATURAL DRAINAGE AND SHALL BE SLOPED TO DRAIN WITH SIDE SLOPES 3:1 OR FLATTER.
 - SURFACES SHALL BE SEALED BY THE USE OF RUBBER Tired EARTH MOVING EQUIPMENT.
 - TEMPORARY DRAINAGE FACILITIES SHALL BE PROVIDED, WHEN REQUIRED, TO ROUTE FLOWS AROUND CONSTRUCTION AREAS.
 - THE LOCATION OF ALL EROSION CONTROL FEATURES ON THESE PLANS ARE APPROXIMATE ONLY. ACTUAL LOCATIONS ARE TO BE DETERMINED IN THE FIELD.
 - FIELD CONDITIONS MAY REQUIRE ADDITIONAL MEASURES NOT INDICATED ON THE PLANS. ADDITIONAL MEASURES MAY INCLUDE CHECK DAMS, SEDIMENT BASINS, DIVERSION SWALES, FILTER BERMS, AND EROSION MATS. REFER TO ODOT EROSION AND SEDIMENT CONTROL MANUAL FOR REFERENCE AND DETAILS.
 - THE SITE SHALL BE INSPECTED BY THE CONTRACTOR AT LEAST WEEKLY DURING THE WINTER MONTHS AND AFTER EACH MAJOR RAINFALL. AT THIS TIME SILT SHALL BE REMOVED WHERE NECESSARY AND ANY DAMAGED EROSION CONTROL FEATURES SHALL BE REPAIRED.
 - STOCKPILE IN A DRY AND ACCESSIBLE LOCATION AND SECURELY COVER WITH PLASTIC A MINIMUM OF 24 STRAW BALES FOR EMERGENCY USE.
 - IF EROSION CONTROL FEATURES ARE REMOVED TO ALLOW CONSTRUCTION TO CONTINUE THEY SHALL BE REPLACED WHEN RAIN IS IMMINENT OR PREDICTED AND AT THE END OF THE WORKDAY EACH FRIDAY.
 - STABILIZED CONSTRUCTION ENTRANCES SHALL BE INSTALLED AT THE BEGINNING OF CONSTRUCTION AND MAINTAINED FOR THE DURATION OF THE PROJECT.
 - FINAL SEEDING SHALL OCCUR IMMEDIATELY AFTER EXCAVATION IS COMPLETED.
 - FILL SLOPES OF 2:1 TO 4:1 SHALL BE TRACK-WALKED PRIOR TO FINAL SEEDING.
 - TRUCKS TRANSPORTING SATURATED SOILS FROM THE SITE SHALL BE WELL SEALED SO THAT WATER SEEPING FROM THE SOIL CANNOT DRAIN FROM THE VEHICLE. IF WELL SEALED TRUCKS ARE NOT PROVIDED, THE LOADED TRUCK SHALL REMAIN IN PLACE UNTIL THE DRIPPAGE FROM THE TRUCK DOES NOT EXCEED ONE GALLON PER HOUR BEFORE LEAVING THE SITE.

CALL BEFORE YOU DIG 1
 ONE CALL (800) 332-2344
 OAR 952-001-0010 THROUGH
 OAR 952-001-0090



Rev.	Date	Dwg	Description
1	7/1/05	JDL	AGENCY REVIEW
2	4/13/06	JDL	AS-BUILT PHASE 1A
3	8/9/06	NRJ	AS-BUILT PHASE 1B

i.e. ENGINEERING
 505 SE Main Street
 Roseburg, Oregon 97470
 PHONE (541) 673-0166
 FAX (541) 440-9392
 email@ieengineering.com

Project Name: RIVER CREST ESTATES 2 PHASE 1

Title: EROSION CONTROL DETAILS

DES DMA PROJECT NO. 1944-0312

DWG JDL DATE: MAY 20, 2005

CHK SNL SCALE: AS SHOWN

APP SNL SHEET: 17 OF 18